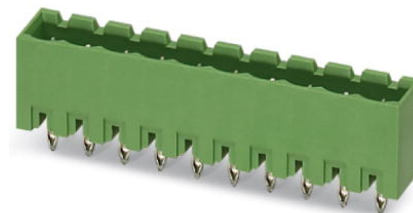


EMSTBVA 2,5/15-G-5,08

Order No.: 1859645

The figure shows a 10-position version of the product

<http://eshop.phoenixcontact.de/phoenix/treeViewClick.do?UID=1859645>Header, Nominal current: 12 A, Nom. voltage: 200 V, Pitch: 5.08 mm,
Number of positions: 15, Color: green, Assembly: Press-in

Commercial data

| | |
|--------------------------|--------------------|
| EAN | 4017918133061 |
| Pack | 50 pcs. |
| Customs tariff | 85366990 |
| Weight/Piece | 0.0066 KG |
| Catalog page information | Page 247 (CC-2009) |

Product notes

WEEE/RoHS-compliant since:
01/01/2003

<http://www.download.phoenixcontact.com>
Please note that the data given here has been taken from the online catalog. For comprehensive information and data, please refer to the user documentation. The General Terms and Conditions of Use apply to Internet downloads.

Technical data

Dimensions / positions

| | |
|---------------------|----------|
| Length | 8.6 mm |
| Pitch | 5.08 mm |
| Dimension a | 71.12 mm |
| Number of positions | 15 |
| Pin dimensions | 1,7 mm |

| | |
|------------------------------------|---------|
| Hole diameter | 1.75 mm |
| Technical data | |
| Insulating material group | IIIa |
| Rated surge voltage (III/3) | 4 kV |
| Rated surge voltage (III/2) | 4 kV |
| Rated surge voltage (II/2) | 4 kV |
| Rated voltage (III/2) | 320 V |
| Rated voltage (II/2) | 320 V |
| Connection in acc. with standard | EN-VDE |
| Nominal current I_N | 12 A |
| Nominal voltage U_N | 200 V |
| Maximum load current | 12 A |
| Insulating material | PBT |
| Inflammability class acc. to UL 94 | V0 |

Certificates / Approvals



Certification CB, CUL, GOST, UL, VDE-PZI

CUL

| | |
|-----------------------|-------|
| Nominal voltage U_N | 300 V |
| Nominal current I_N | 10 A |

UL

| | |
|-----------------------|-------|
| Nominal voltage U_N | 300 V |
| Nominal current I_N | 10 A |

Accessories

| Item | Designation | Description |
|-----------------|-----------------------|---|
| Assembly | | |
| 1877203 | EMSTB 2,5-SH | Stamp holder, for upper and lower stamp |
| 1877216 | EMSTBVA 2,5-SS-1-5,08 | Stamp set, consisting of an upper and lower stamp, upper stamp: 2 to 16-pos., lower stamp: 2 to 24-pos., pitch: 5.08 mm |

| | | |
|---------|-----------------------|--|
| 1877229 | EMSTBVA 2,5-SS-2-5,08 | Stamp set, consisting of an upper and lower stamp, upper stamp: 17 to 24-pos., lower stamp: 2 to 24-pos., pitch: 5.08 mm |
| 1755477 | MSTB-BL | Keying cap, for forming sections, plugs onto header pin, green insulating material |

Marking

| | | |
|---------|--------------------------|---|
| 0804293 | SK 5,08/3,8:FORTL.ZAHLEN | Marker card, printed horizontally, self-adhesive, 12 identical decades marked 1-10, 11-20 etc. up to 91-(99)100, sufficient for 120 terminal blocks |
|---------|--------------------------|---|

Plug/Adapter

| | | |
|---------|---------|--|
| 1734401 | CR-MSTB | Coding section, inserted into the recess in the header or the inverted plug, red insulating material |
|---------|---------|--|

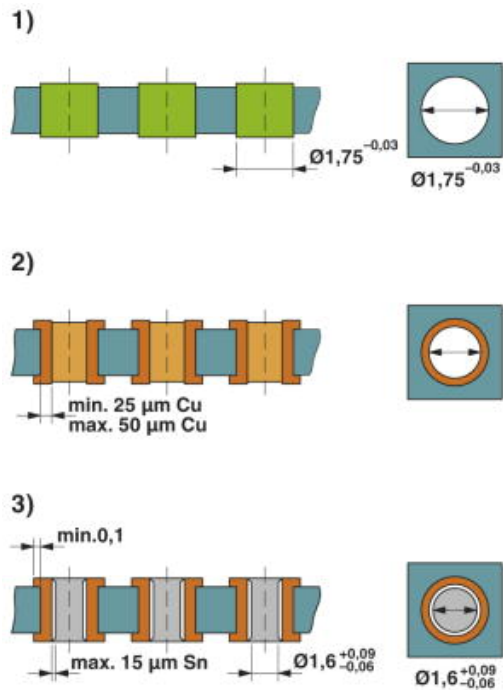
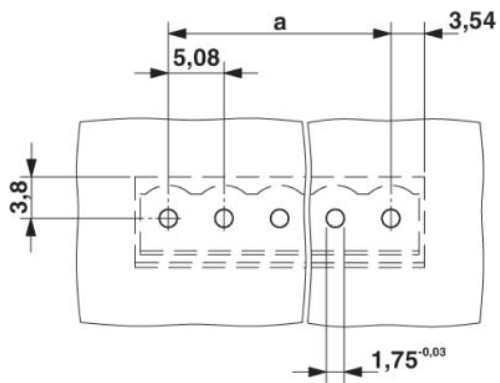
Additional products

| Item | Designation | Description |
|----------------|---------------------------|---|
| General | | |
| 1873184 | FKC 2,5/15-ST-5,08 | Plug component, Nominal current: 12 A, Nom. voltage: 250 V, Pitch: 5.08 mm, Number of positions: 15, Connection type: Spring-cage conn., Color: green |
| 1902246 | FKCT 2,5/15-ST-5,08 | Plug component, Nominal current: 12 A, Nom. voltage: 250 V, Pitch: 5.08 mm, Number of positions: 15, Connection type: Spring-cage conn., Color: green |
| 1874086 | FKCVR 2,5/15-ST-5,08 | Plug component, Nominal current: 12 A, Nom. voltage: 250 V, Pitch: 5.08 mm, Number of positions: 15, Connection type: Spring-cage conn., Color: green |
| 1873786 | FKCVW 2,5/15-ST-5,08 | Plug component, Nominal current: 12 A, Nom. voltage: 250 V, Pitch: 5.08 mm, Number of positions: 15, Connection type: Spring-cage conn., Color: green |
| 1777413 | FRONT-MSTB 2,5/15-ST-5,08 | Plug component, Nominal current: 12 A, Nom. voltage: 250 V, Pitch: 5.08 mm, Number of positions: 15, Connection type: Screw connection, Color: green |
| 1786530 | IC 2,5/15-G-5,08 | Header, Nominal current: 12 A, Nom. voltage: 320 V, Pitch: 5.08 mm, Number of positions: 15, Color: green, Assembly: Soldering |
| 1786077 | ICV 2,5/15-G-5,08 | Header, Nominal current: 12 A, Nom. voltage: 320 V, Pitch: 5.08 mm, Number of positions: 15, Color: green, Assembly: Soldering |
| 1757145 | MSTB 2,5/15-ST-5,08 | Plug component, Nominal current: 12 A, Nom. voltage: 250 V, Pitch: 5.08 mm, Number of positions: 15, Connection type: Screw connection, Color: green |
| 1764251 | MSTB 2,5/15-STZ-5,08 | Plug component, Nominal current: 12 A, Nom. voltage: 250 V, Pitch: 5.08 mm, Number of positions: 15, Connection type: Screw connection, Color: green |

| | | |
|---------|------------------------|---|
| 1808942 | MSTBC 2,5/15-ST-5,08 | Plug component, Nominal current: 12 A, Nom. voltage: 320 V, Pitch: 5.08 mm, Number of positions: 15, Connection type: Crimp connection, Color: green |
| 1809637 | MSTBC 2,5/15-STZ-5,08 | Plug component, Nominal current: 12 A, Nom. voltage: 320 V, Pitch: 5.08 mm, Number of positions: 15, Connection type: Crimp connection, Color: green |
| 1769146 | MSTBP 2,5/15-ST-5,08 | Plug component, Nominal current: 12 A, Nom. voltage: 250 V, Pitch: 5.08 mm, Number of positions: 15, Connection type: Screw connection, Color: green |
| 1781111 | MSTBT 2,5/15-ST-5,08 | Plug component, Nominal current: 12 A, Nom. voltage: 250 V, Pitch: 5.08 mm, Number of positions: 15, Connection type: Screw connection, Color: green |
| 1824256 | MSTBU 2,5/15-STD-5,08 | Plug component, Nominal current: 12 A, Nom. voltage: 320 V, Pitch: 5.08 mm, Number of positions: 15, Connection type: Screw connection, Assembly: Direct mounting, Color: green |
| 1831443 | MSTBVK 2,5/15-ST-5,08 | Plug component, Nominal current: 12 A, Nom. voltage: 320 V, Pitch: 5.08 mm, Number of positions: 15, Connection type: Screw connection, Assembly: DIN rail, Color: green |
| 1792375 | MVSTBR 2,5/15-ST-5,08 | Plug component, Nominal current: 12 A, Nom. voltage: 250 V, Pitch: 5.08 mm, Number of positions: 15, Connection type: Screw connection, Color: green |
| 1792883 | MVSTBW 2,5/15-ST-5,08 | Plug component, Nominal current: 12 A, Nom. voltage: 250 V, Pitch: 5.08 mm, Number of positions: 15, Connection type: Screw connection, Color: green |
| 1883831 | QC 1/15-ST-5,08 | Plug component, Nominal current: 10 A, Nom. voltage: 500 V, Pitch: 5.08 mm, Number of positions: 15, Connection type: Insulation displacement connection QUICKON, Color: green |
| 1826416 | SMSTB 2,5/15-ST-5,08 | Plug component, Nominal current: 12 A, Nom. voltage: 250 V, Pitch: 5.08 mm, Number of positions: 15, Connection type: Screw connection, Color: green |
| 1833946 | UMSTBVK 2,5/15-ST-5,08 | Plug component, Nominal current: 12 A, Nom. voltage: 320 V, Pitch: 5.08 mm, Number of positions: 15, Connection type: Screw connection, Assembly: DIN rail, Color: green |

Diagrams/Drawings

Drilling plan/solder pad geometry



Bohrlochaufbau im Basismaterial FR4 oder EP-GC

Address

PHOENIX CONTACT Deutschland GmbH
Flachmarktstr. 8
32825 Blomberg, Germany
Phone +49 5235 3 12000
Fax +49 5235 3 41200
<http://www.phoenixcontact.de>



© 2010 Phoenix Contact
Technical modifications reserved;