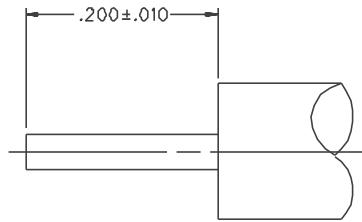
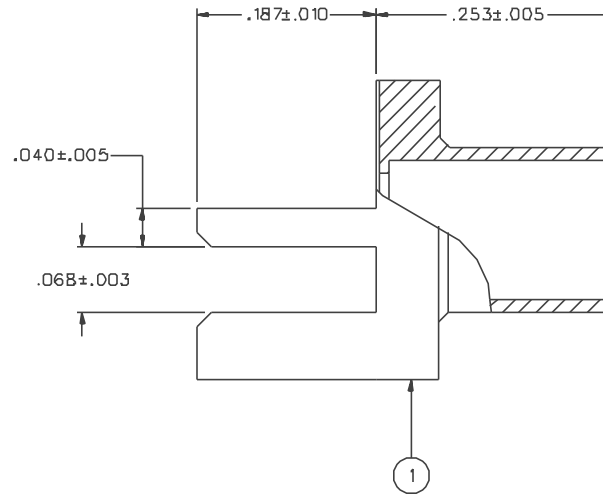
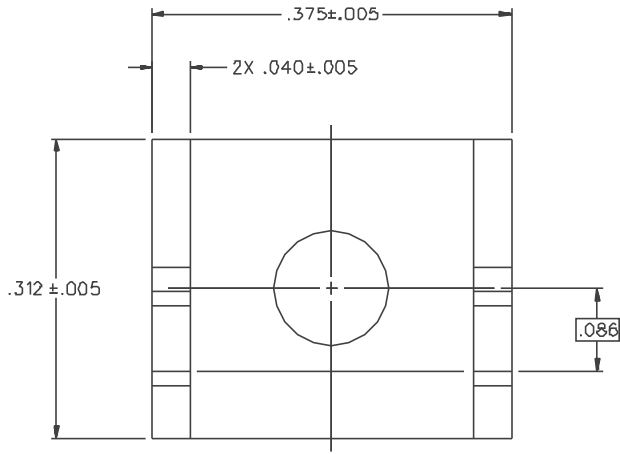


| | |
|-----------------------------|--|
| PART NUMBER 142-0094-801 | ITEM ① BODY BRASS GOLD PL .00001 MIN OVER NICKEL PL .00005 MIN COPPER PL .00005 MIN |
|-----------------------------|--|

| | |
|-------------------------------------|-----------------------------|
| DRAWING NO. C - 142-0094-801/810 | |
| 0 | REVISIONS |
| ENGINEERING RELEASE | |
| 1 | 6-18-96 R H P K S ECN 44096 |



CABLE STRIP DIMENSIONS

NOTES:

1. SPECIFICATIONS:

CABLE ACCEPTABILITY: RG-402 .141 DIA SEMIRIGID


CABLE RETENTION: 60 LBS MIN FORCE
55 NCH-OUNCE MIN TORQUE

CUSTOMER DRAWING

THIS DRAWING TO BE INTERPRETED
PER ANSI Y 14.5M - 1982

"μSTATION"

COMPANY CONFIDENTIAL

| | | | |
|--------------------------------------|--------------------|-----------------|---|
| TOLERANCE UNLESS OTHERWISE SPECIFIED | DRAWN BY JRK | DATE 6-12-96 |  Cinch Connectivity Solutions 299 Johnson Ave. Ste. 100 Worcester, MA 01603 1-800-247-8256 |
| DECIMALS .XX | CHECKED BY JRK | DATE 6-18-96 | |
| .XXX | APPROVED BY TAK | DATE 6-21-96 | TITLE CABLE TERMINATION, END LAUNCH, RG-402 SEMI-RIGID CABLE |
| MATL | APPROVED BY RJS | DATE 6-24-96 | CODE NO. |
| FINISH | RELEASE DATE | | DRAWING NO. C - 142-0094-801/810 |
| | | SCALE 10:1 | U/M INCH SHEET 2 OF 2 |