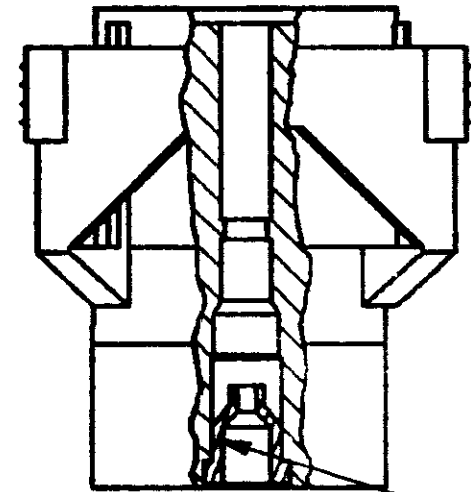
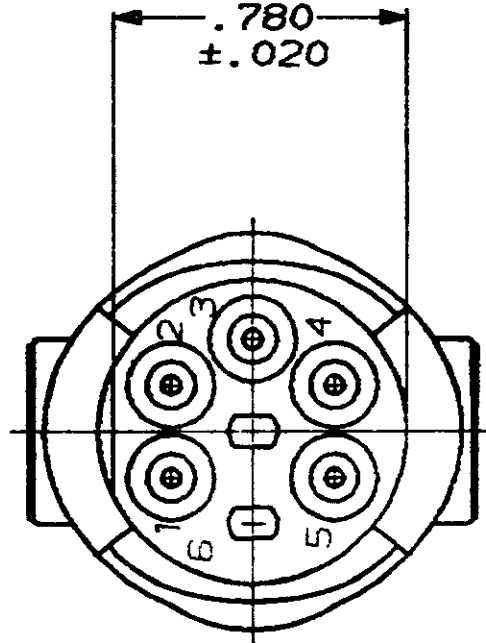
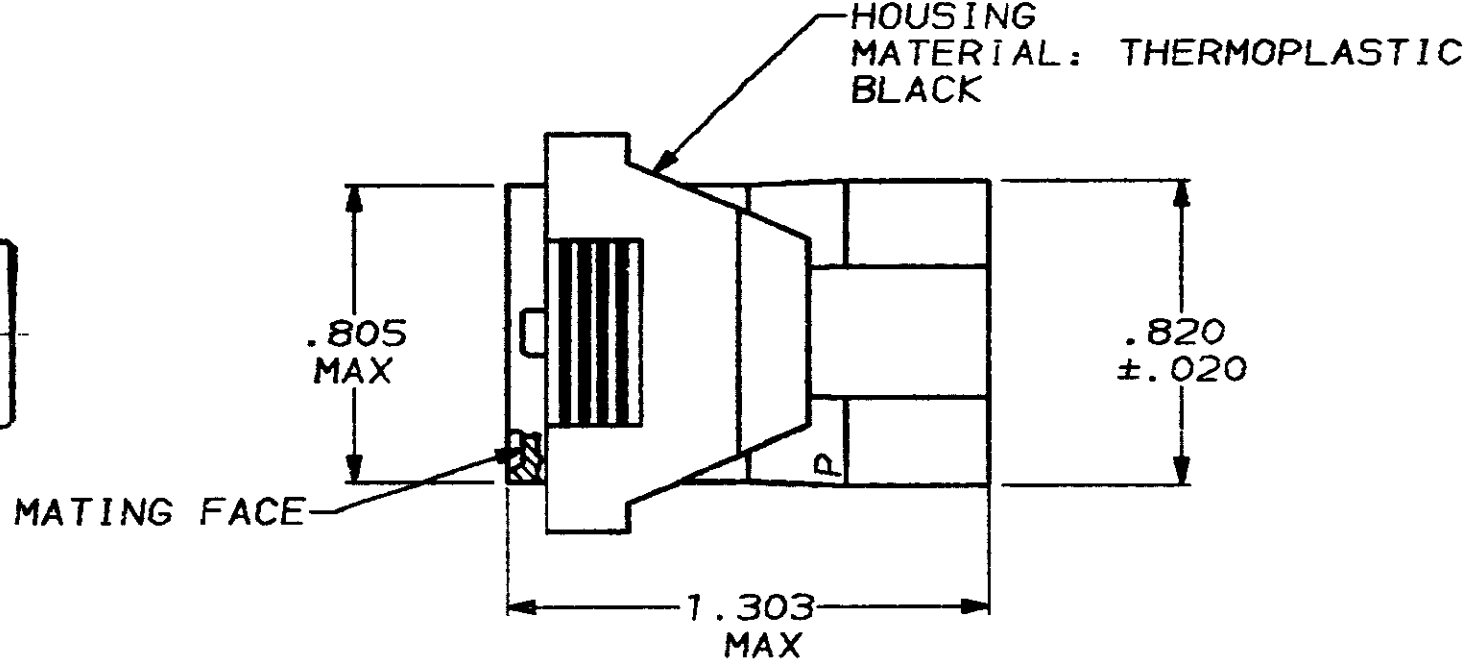
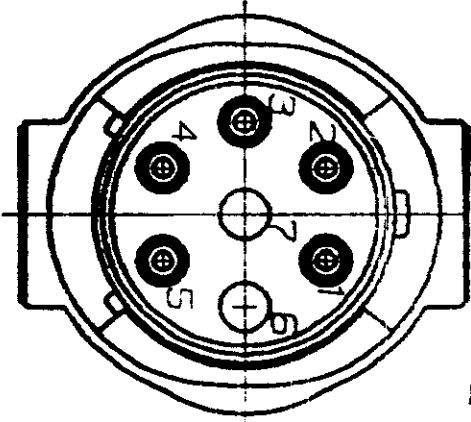


THIS DRAWING IS UNPUBLISHED. RELEASED FOR PUBLICATION ,19 .  
 © COPYRIGHT 19 BY AMP INCORPORATED. ALL INTERNATIONAL RIGHTS RESERVED.

MOD	LOC	DIST	P	F	ZONE	LTR	DESCRIPTION	DATE	APPD
23	BD	39				E	REDRAWN AND REV PER ECN BD4183	8-17-90	KB



DISCRETE WIRE SEALS  
 MATERIAL: ELASTOMER  
 BLACK

1. WIRE INSULATION SEALING RANGE .070-.130 DIA.
2. THIN MEMBRANE PERMISSIBLE ON SMALL DIAMETER OF WIRE SEALS.
3. ROTATION OF CAVITY CIRCUIT KEY FROM PART TO PART IS PERMISSIBLE.

207847-1  
 PART NUMBER

DO NOT SCALE PRINT.  
 UNLESS SPECIFIED  
 DIMENSIONS IN INCHES  
 TOLERANCES ON:  
 2 PLC DEC = -  
 3 PLC DEC = -  
 ANGLES ± -  
 MATERIAL: SEE CALLOUT  
 FINISH: -  
 WEIGHT: -

DR: 8-17-90  
 J. GALLUCCI BG  
 CHK: J. Mullin 1-1-91  
 APPD: B. Beavri 12-91  
 APPD: J. Zubo 12/29/91  
 PRODUCT SPEC: -  
 APPLICATION SPEC: -  
 WEIGHT: -

AMP INCORPORATED Harrisburg, Pa. 17105		
NAME: PLUG, 5 POSITION, STANDARD ECONOSEAL CONNECTOR		
SIZE: <b>B</b>	FSCN NO: 00779	DRAWING NO: 207847
SCALE: 2:1	SHEET: 1 OF 1	