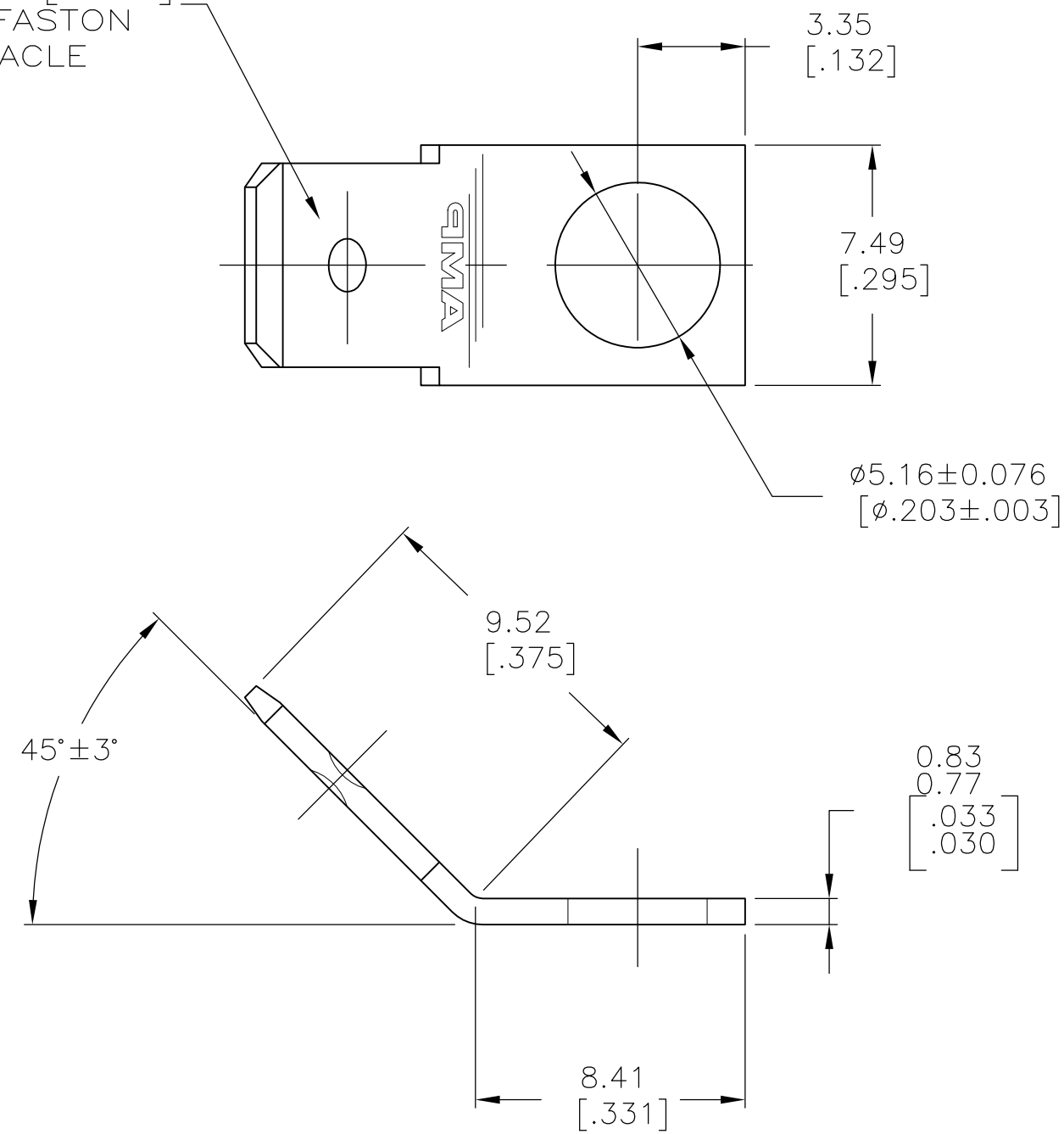


THIS DRAWING IS UNPUBLISHED. RELEASED FOR PUBLICATION
 © COPYRIGHT - BY TYCO ELECTRONICS CORPORATION. ALL RIGHTS RESERVED.

LOC	DIST	REVISIONS			
P	LTR	DESCRIPTION	DATE	DWN	APVD
AF	50	D	REVISED PER ECR-10-004058	08JUN10	HMR PD

FITS 6.35 [.250]
 SERIES FASTON
 RECEPTACLE



1 SUPPLIED IN LOOSE PIECE.
 2 PRE-PRODUCTION - F.A.S.R. REQUIRED

1217252-1
 PART NO.

THIS DRAWING IS A CONTROLLED DOCUMENT.		DWN JR RUTH 26OCT99	Tyco Electronics Corporation Harrisburg, PA 17105-3608													
DIMENSIONS: mm [INCHES]		CHK MS FEHER 26OCT99	NAME TAB, FASTON™ 6.35 [.250] SERIES													
TOLERANCES UNLESS OTHERWISE SPECIFIED:		APVD P DESANT 26OCT99	PRODUCT SPEC -													
<table border="0"> <tr><td>0 PLC</td><td>± -</td></tr> <tr><td>1 PLC</td><td>± -</td></tr> <tr><td>2 PLC</td><td>± 0.25 [.010]</td></tr> <tr><td>3 PLC</td><td>± -</td></tr> <tr><td>4 PLC</td><td>± -</td></tr> <tr><td>ANGLES</td><td>± -</td></tr> </table>		0 PLC	± -	1 PLC	± -	2 PLC	± 0.25 [.010]	3 PLC	± -	4 PLC	± -	ANGLES	± -	APPLICATION SPEC -		RESTRICTED TO -
0 PLC	± -															
1 PLC	± -															
2 PLC	± 0.25 [.010]															
3 PLC	± -															
4 PLC	± -															
ANGLES	± -															
MATERIAL 082 BRASS	FINISH TIN	WEIGHT -	SIZE A3	CAGE CODE 00779	DRAWING NO C-1217252											
CUSTOMER DRAWING			SCALE 5:1	SHEET 1 OF 1	REV D											