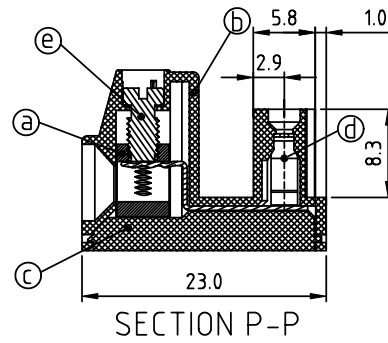
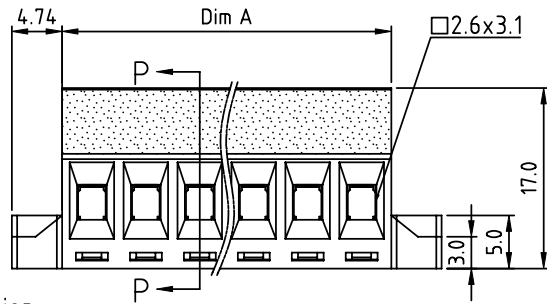
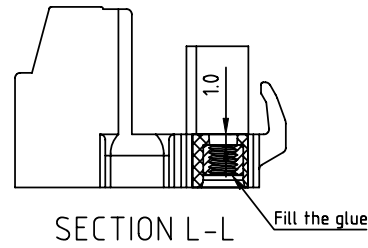
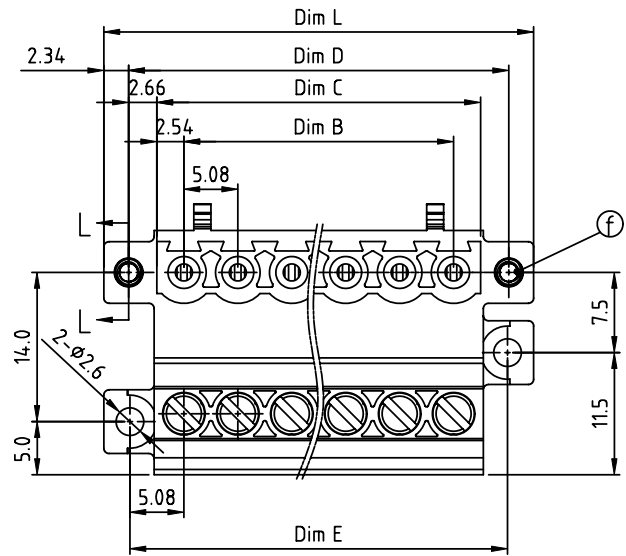


PRODUCT NUMBER	PITCH
V9xx51x100J0G	5.08 mm



Material:

- Item ① Clamp: Brass Ni plated
- Item ② Terminal (housing): Thermoplastic (UL94V-0)
- Item ③ Terminal (Cover): Thermoplastic (UL94V-0)
- Item ④ Male contact: PhBz, Tin plated.
- Item ⑤ Terminal screw: Steel Zinc plating " - " slot type
- Item ⑥ With flange nut: Brass M2.5

Electrical:

- Voltage rating: 300V
- Current rating: 12A
- Wire range:
- Solid wire(AWG):12-30
- Stranded wire(AWG):12-30
- Torque: 5.2 Lb-In.
- Screw: M3
- Wire strip length:6-7 mm
- Withstanding Voltage:1.6KV
- Operating temperature:-40°C to +115°C
- Safety Approval:

Dimension

Dim L	(N-1) × 5.08+15.08
Dim A	(N-1) × 5.08+5.6
Dim B	(N-1) × 5.08
Dim C	N × 5.08
Dim D	(N-1) × 5.08+10.4
Dim E	(N-1) × 5.08+10.16

N=Number of poles

Poles	Tolerance
2P - 6P	±0.15
7P - 12P	±0.20
13P - 18P	±0.30
19P - 24P	±0.40

PART NO.: V9 xx 51 x 1 00J0 G

	Color	RoHS compliant (lead<4%) In copper Alloy
Solid block	0 Black (RAL9005)	
No. of poles	2 Red (RAL3001/D)	
02 2 poles	3 Orange(RAL2011/P)	
03 3 poles	4 Yellow(RAL1018/A)	
...	5 Green(RAL6018/T)	
24 24 poles	6 Blue (RAL5015/A)	
	8 Grey(RAL7035/D)	
	9 White(RAL1102)	
	C Green(RAL6018/U)	

mat'l. code		surface ASME Y14.5	tolerance ASME Y14.5	projection	product family	
ltr	ecn no	dr	date		TERMINAL BLOCK	
tolerances unless otherwise specified				MM	title	
angles	φ	X.±0.5		scale	TERMINAL BLOCK PLUGGABLE PLUG, WITH FLANGE BOTTOM COVER FIXED TYPE	
E		X.X±0.3				
X*±1°		X.XX±0.1		dwg no	sheet 1 of 1	
dr	EVIN ZHONG	050414			V9xx51x100J0G	
enr	EVIN ZHONG	050414				size
chr	HANKE FENG	050414				A4
appd	SHI JUN	050414		type	CUSTOMER Drawing	
sheet index	revision sheet	A	1			