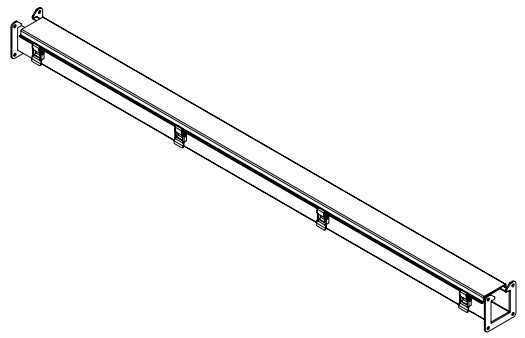




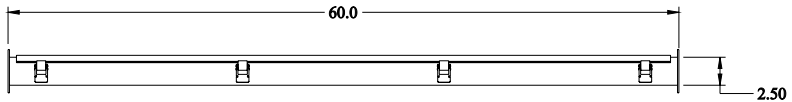
**PART No. 1485B60**  
for more information visit  
[www.hammfg.com](http://www.hammfg.com)  
Data subject to change without notice  
Isometric drawing Not to Scale



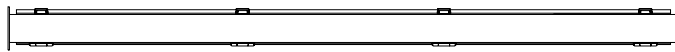
**ISOMETRIC VIEW**



**TOP VIEW**



**FRONT VIEW**



**BOTTOM VIEW**



**SIDE VIEW**



**SIDE VIEW**