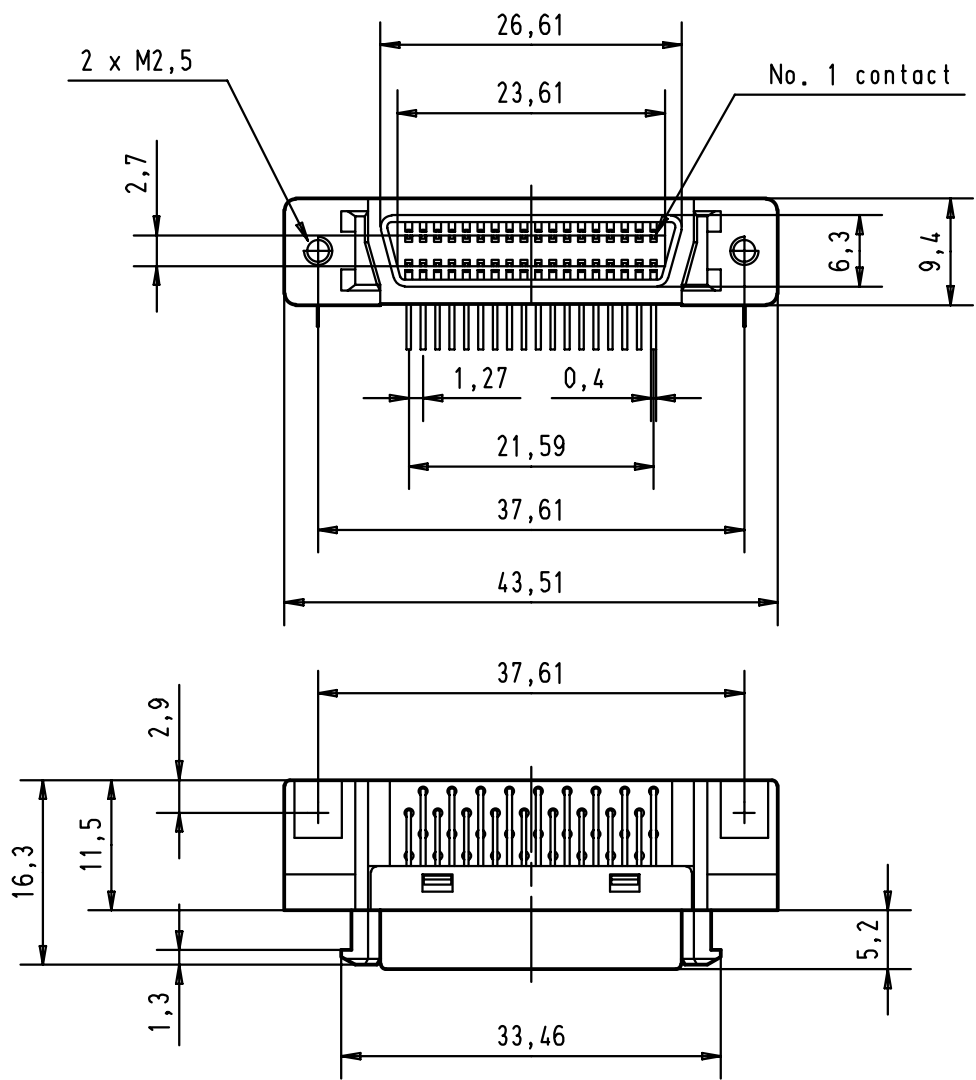
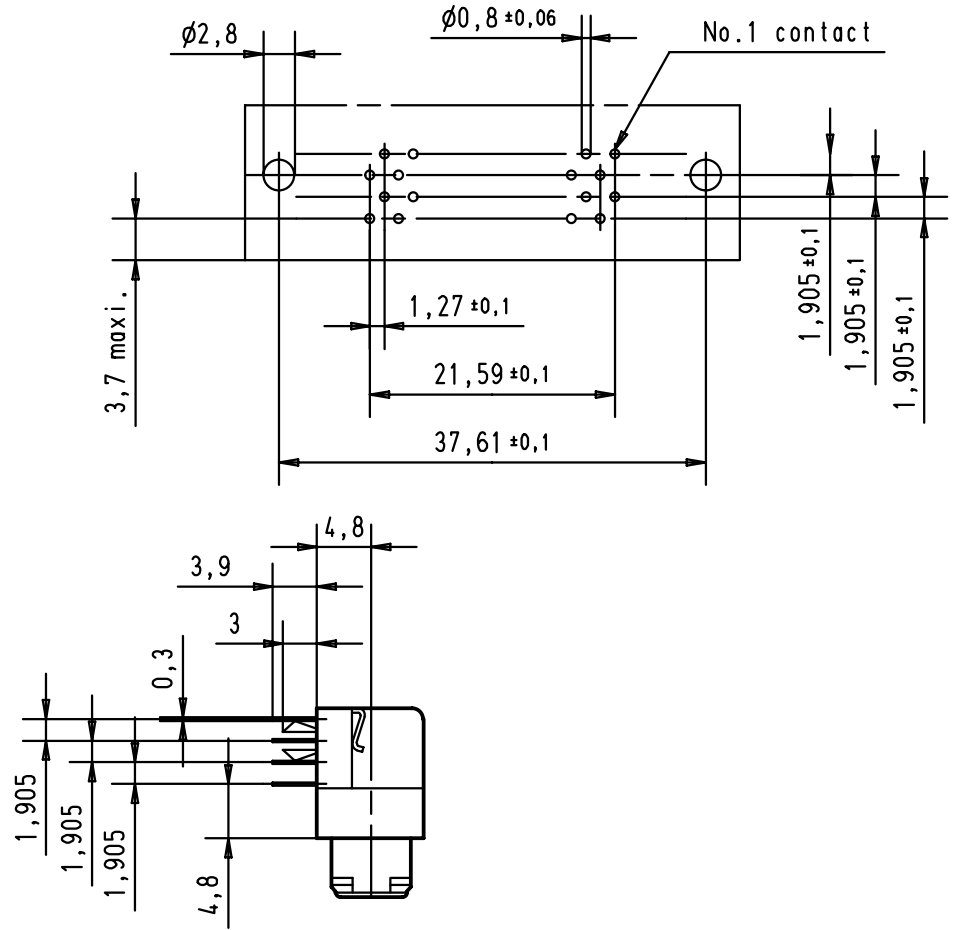


5 4 3 2 1



Printed Board Layout
component side





D

C

B

A

| | | | | | | | | |
|-------|-----------|---------|-------------------------------|-----------|---------|---|---|-------------------|
| | | | | Dat. | Name |  All Dim. in mm Orig. Size DIN A 4 | har.mik® I/O bellow 36 poles female connector with angled solder pins clips and fixed latching | Maßstab/ Scale |
| | | | Detail. | 30-AUG-00 | Alspace | | | 1,5:1 |
| | | | Insp. | | | | | |
| | | | | Stand. | | | | Blatt/ Page |
| 27941 | 30-AUG-00 | Alspace | HARTING EURL F-95972 Paris | | |  | TB 60 11 036 5140 | 1 / 1 |
| Mod. | Dat. | Name | | | | | Sub. | |