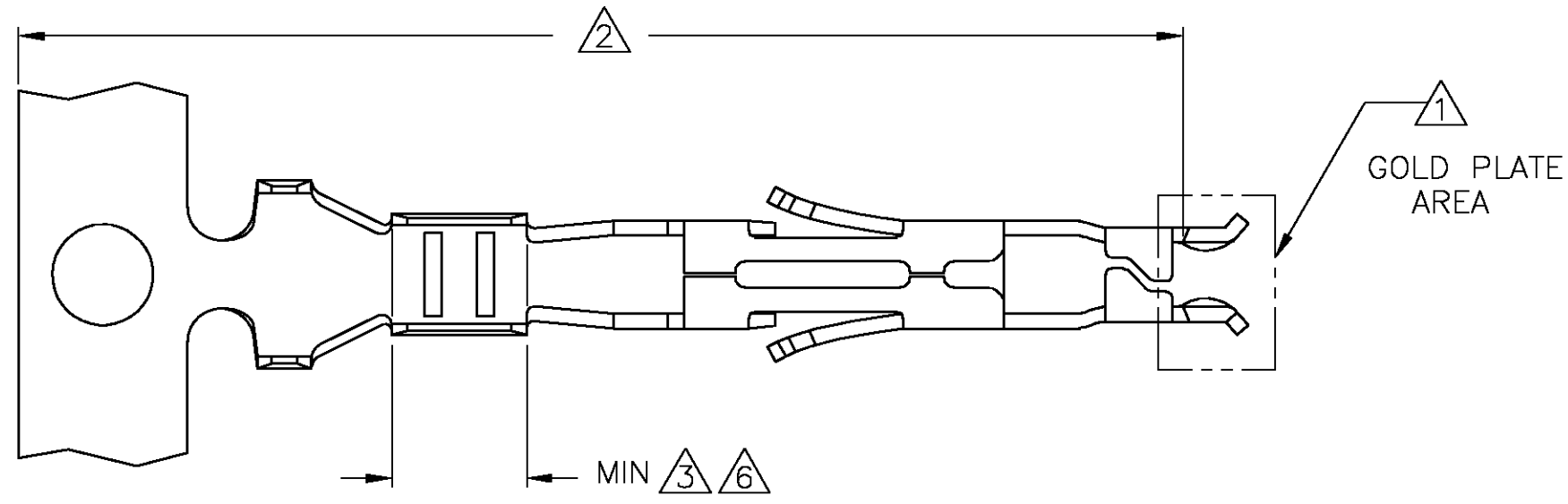
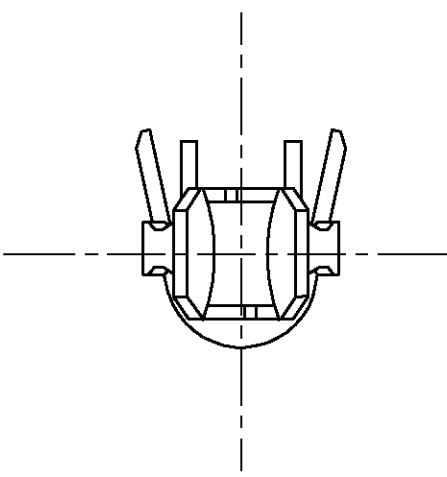
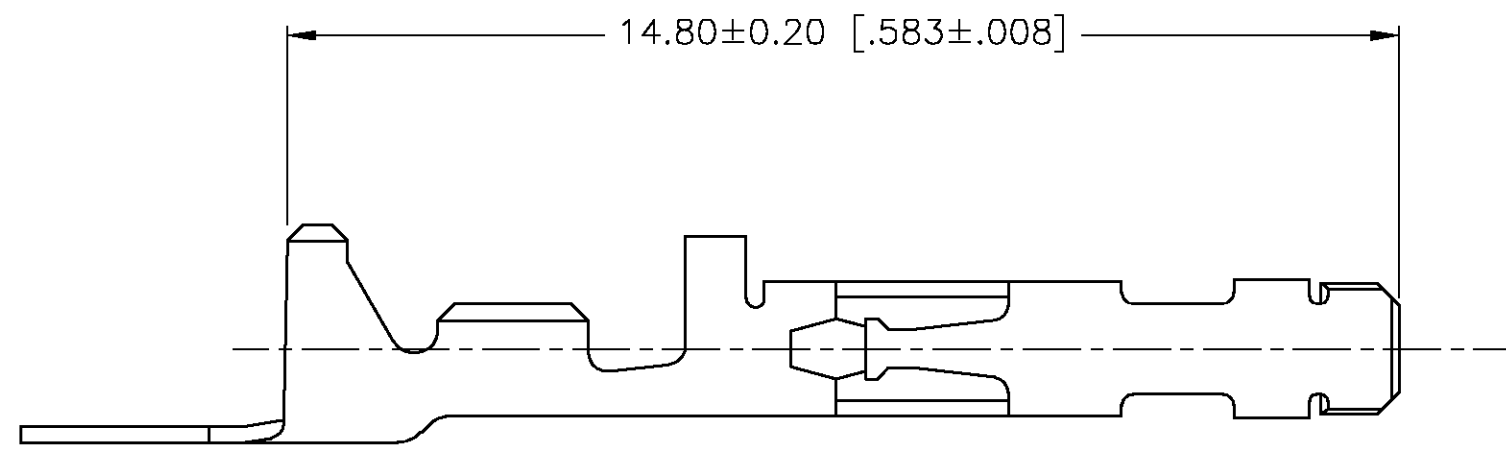


THIS DRAWING IS UNPUBLISHED. RELEASED FOR PUBLICATION
 © COPYRIGHT BY TYCO ELECTRONICS CORPORATION. ALL RIGHTS RESERVED.

LOC		DIST		REVISIONS			
P	LTR	DESCRIPTION		DATE	DWN	APVD	
G		REVISED PER 0G3B-0910-04		15-MAR-05	SH	DC	



- ① FINISH: 0.76μm MIN GOLD OVER 1.27μm MIN NICKEL REQUIRED ON INNER SURFACE, PERMITTED ON OUTER SURFACE.
- ② FINISH: NICKEL BASE PLATE ON ALL SURFACES IN THIS AREA.
- ③ FINISH: 2.54μm MIN TIN-LEAD ON ALL SURFACES IN THIS AREA.
- 4. WIRE RANGE: 0.12-0.35mm² (26-22 AWG).
- 5. INSULATION RANGE; ø1.20-1.75 [ø.047-.069]
- ⑥ FINISH: 2.54μm MINIMUM TIN ON ALL SURFACES IN THIS AREA.



1-794142-3	①②⑥	0.22 [.009] PH BRZ	1-794139-3
794142-3	①②③	0.22 [.009] PH BRZ	794139-3
REFERENCE LOOSE PIECE	FINISH	MATERIAL	PART NUMBER

METRIC

THIS DRAWING IS A CONTROLLED DOCUMENT.

DIMENSIONS: MM [INCHES]	TOLERANCES UNLESS OTHERWISE SPECIFIED: 0 PLC ± 1 PLC ± 2 PLC ± 0.10 [.004] 3 PLC ± 4 PLC ± ANGLES ± 0° 30'	DWN S. HOOVER 26-SEP-2002 CHK D. COLEY 26-SEP-2002 APVD D. COLEY 26-SEP-2002	NAME Tyco Electronics Corporation Harrisburg, PA 17105-3608
MATERIAL	FINISH	PRODUCT SPEC 108-1646	APPLICATION SPEC 114-6067
CUSTOMER DRAWING		WEIGHT	RESTRICTED TO
SCALE 10:1		SIZE A2 CAGE CODE 00779	DRAWING NO G=794139
SHEET 1 OF 1		REV G	