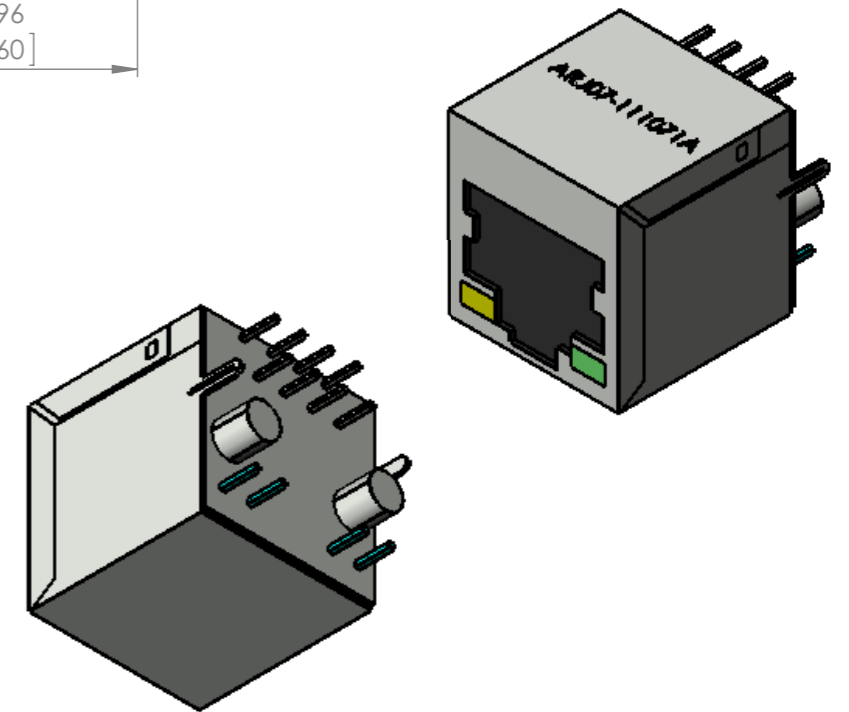
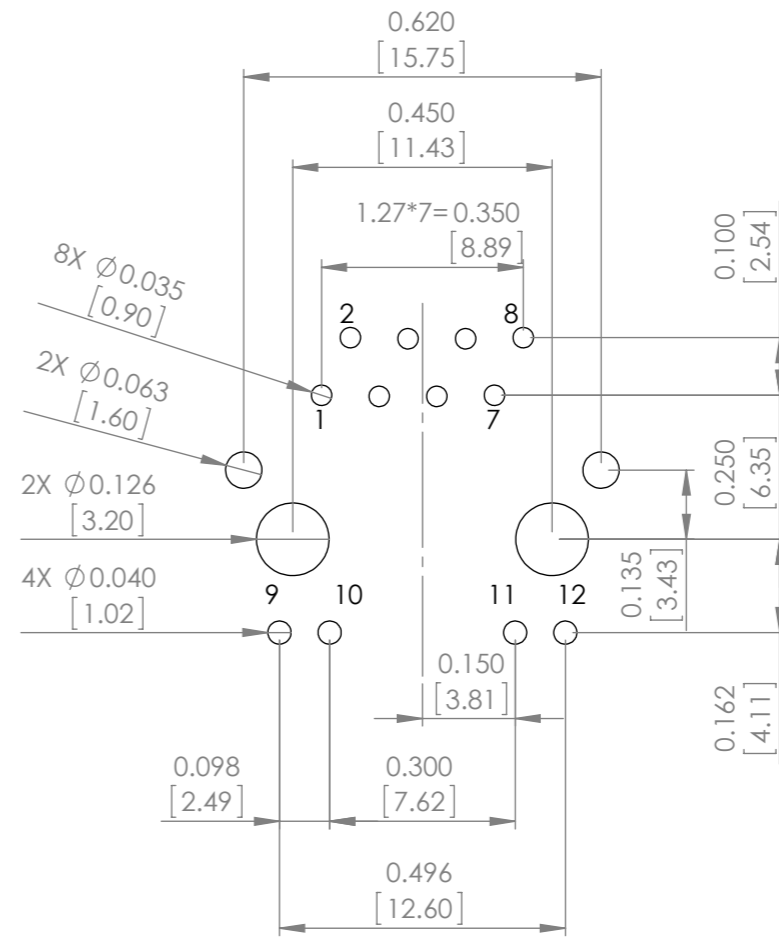



**Recommended Land Pattern**



DO NOT SCALE DRAWING		REVISION -	
 <b>ABRACON</b> LLC <i>The Power of Linking Together</i>			
Apracon LLC, 2 Faraday, Suite#B Irvine, Ca. 92618			
TITLE:		RJ45	
DWG NO.		ARJC07-111071A	A3
SCALE:3:1		SHEET 1 OF 1	