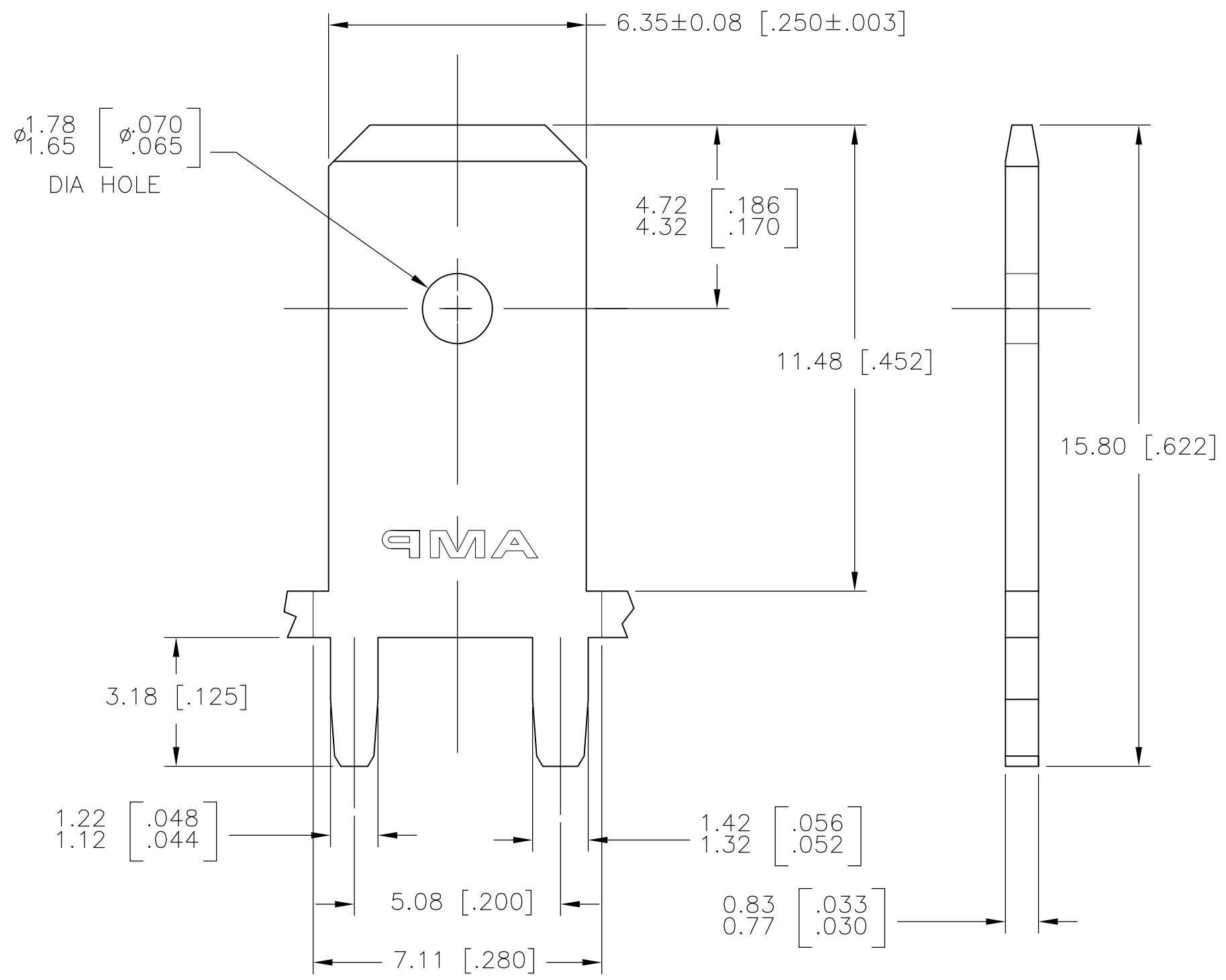
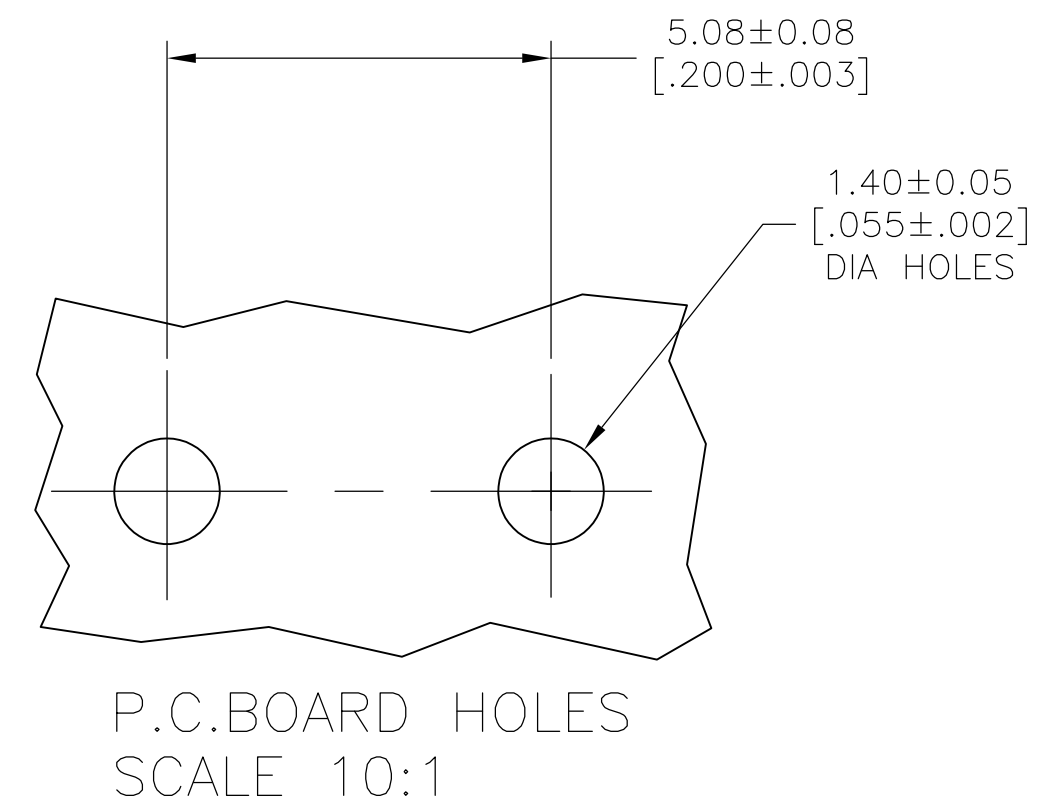


THIS DRAWING IS UNPUBLISHED. RELEASED FOR PUBLICATION  
 © COPYRIGHT - By - ALL RIGHTS RESERVED.

LOC	DIST	REVISIONS			
P	LTR	DESCRIPTION	DATE	DWN	APVD
AF	50	C2	REVISED PER ECO-11-005027	11MAR11	RK HMR



1 SUPPLIED IN LOOSE PIECE  
 2 0.00381 [.000150] MIN TIN OVER  
 0.00254 [.000100] MIN THK COPPER.



63900-1  
 PART NUMBER

THIS DRAWING IS A CONTROLLED DOCUMENT.		DWN	JR RUTH	30NOV00	<b>STE</b> TE Connectivity		
DIMENSIONS: mm [INCHES]		CHK	MS FEHER	30NOV00			
TOLERANCES UNLESS OTHERWISE SPECIFIED:		APVD	G PORTA	30NOV00	NAME		
0 PLC ± -		PRODUCT SPEC		TAB, FASTON, PC BOARD, 6.35 [.250] SERIES			
1 PLC ± -		APPLICATION SPEC		SIZE	CAGE CODE	DRAWING NO	RESTRICTED TO
2 PLC ± 0.25 [.010]		MATERIAL		A3 00779		C-63900	-
3 PLC ± -		FINISH		CUSTOMER DRAWING		SCALE	SHEET
4 PLC ± -		TIN OVER COPPER		SCALE 8:1		SHEET 1 OF 1	REV C2
ANGLES ± -							