



# MAX9552 Evaluation Kit

Evaluates: MAX9552

## General Description

The MAX9552 evaluation kit (EV kit) is a fully assembled and tested surface-mount PCB that contains a MAX9552 IC. The MAX9552 has four high-current VCOM drive buffers for TFT LCDs. The outputs are capable of driving large capacitive loads and settle to within 0.1% of VOUT in less than 2 $\mu$ s. The MAX9552 operates from a 7V to 20VDC power supply. Each channel can source or sink 800mA of transient load current.

## Features

- ◆ Single 7V to 20VDC Power-Supply Operation
- ◆ Source or Sink 800mA Transient Load Current per Channel
- ◆ 0.1% Settling Time (less than 2 $\mu$ s)
- ◆ Four Buffers per Package
- ◆ Surface-Mount Components
- ◆ Fully Assembled and Tested

## Component List

DESIGNATION	QTY	DESCRIPTION
C1	1	10 $\mu$ F $\pm$ 20%, 25V X5R ceramic capacitor (1210) TDK C3225X5R1E106M
C2	1	0.1 $\mu$ F $\pm$ 10%, 25V X5R ceramic capacitor (0402) TDK C1005X5R1E104K
C3–C6	4	1 $\mu$ F $\pm$ 20%, 25V X5R ceramic capacitors (0603) TDK C1608X5R1E105M
R1–R8	8	10k $\Omega$ $\pm$ 1% resistors (0603)
U1	1	MAX9552EUD+ (14-pin TSSOP-EP)
—	1	MAX9552 EV kit PCB

## Ordering Information

PART	TEMP RANGE	IC PACKAGE
MAX9552EVKIT+	0°C to +70°C*	14 TSSOP

+Denotes a lead-free and RoHS-compliant EV kit.

\*This limited temperature range is for the EV kit PCB only. The MAX9552 IC temperature range is -40°C to +85°C.

## Component Supplier

SUPPLIER	PHONE	WEBSITE
TDK	847-803-6100	www.component.tdk.com

**Note:** Indicate that you are using the MAX9552 when contacting this component supplier.

# MAX9552 Evaluation Kit

## Quick Start

### Recommended Equipment

- 7V to 20V, 5ADC power supply (VDD)
- One voltmeter

### Procedure

The MAX9552 EV kit is fully assembled and tested. Follow the steps below to verify board operation.

**Caution:** Use low-impedance cables to connect the power supply to the VDD and GND pads on the EV kit. Do not turn on the power supply until all connections are completed.

- 1) Set the power-supply output to 16V and turn off the power supply.
- 2) Connect the power-supply ground to the GND pad on the EV kit.
- 3) Connect the power-supply output to the VDD pad on the EV kit.
- 4) Turn on the power supply.
- 5) Verify that all the outputs (OUTA, OUTB, OUTC, and OUTD) are approximately 8V.
- 6) Use low-impedance cables when connected to external loads.

## Detailed Description

The MAX9552 EV kit is a fully assembled and tested surface-mount PCB that contains a MAX9552 IC. The MAX9552 is a quadruple high-current VCOM buffer for driving TFT LCDs. Each buffer is capable of sourcing or sinking large transient load current to quickly restore the VCOM voltage, making the MAX9552 an ideal buffer for driving large capacitive loads in TFT LCDs.

The MAX9552 EV kit outputs (OUTA, OUTB, OUTC, and OUTD) are set to  $V_{DD} / 2$  by voltage-divider resistors R1–R8, respectively. To set the outputs to other voltages (from 2V to  $V_{DD} - 2V$ ), select different voltage-divider resistors.

The MAX9552 EV kit provides four test points (INA-, INB-, INC-, and IND-) to accept external feedback from a remote-sense node, and then applies it to the negative input terminals of the buffers. To use external feedback sensing, cut open the PCB trace that runs directly between the respective negative input test point and the output pad, and connect the external feedback sense line to the selected test point (INA-, INB-, INC-, and IND-).

# MAX9552 Evaluation Kit

Evaluates: MAX9552

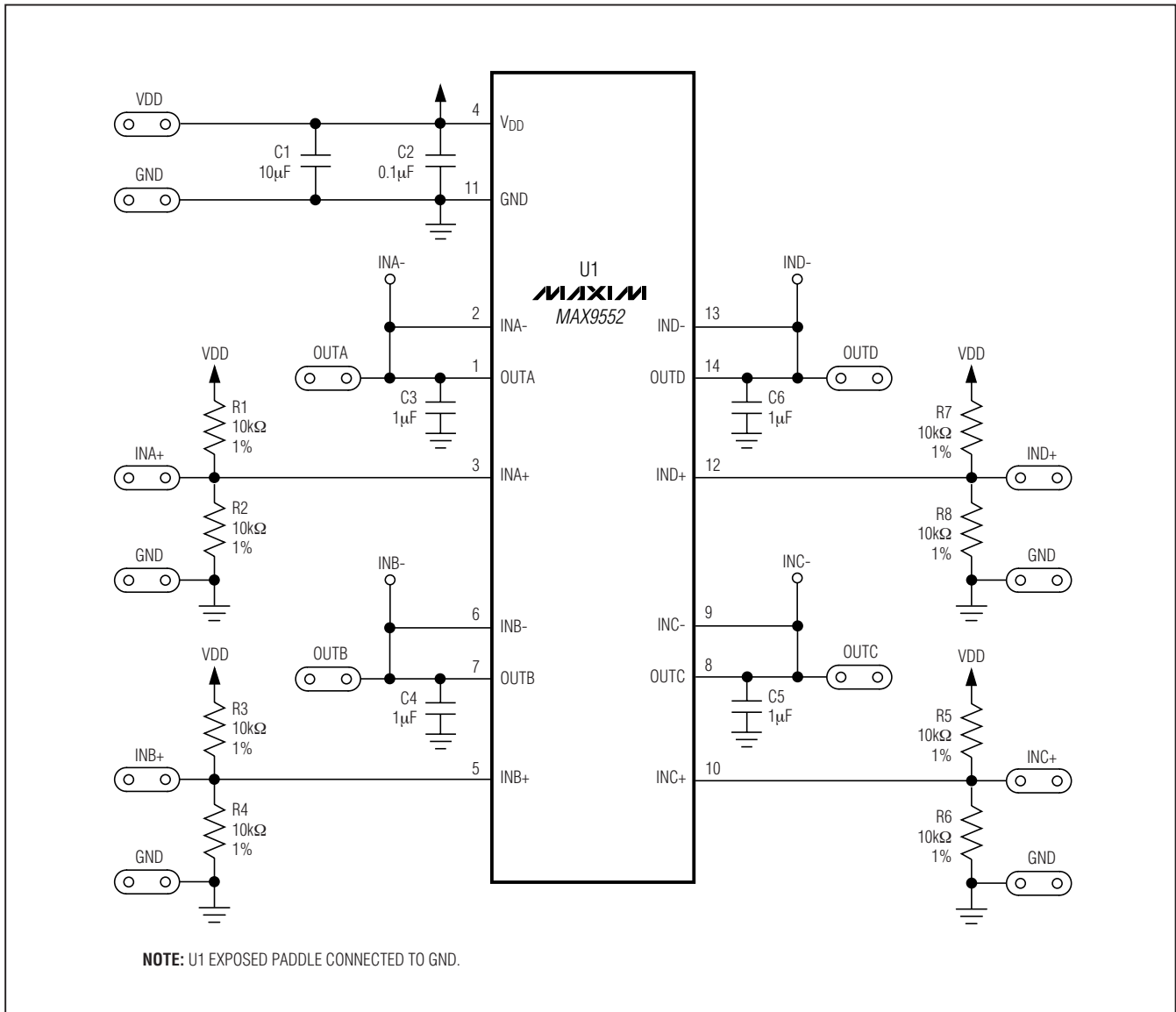


Figure 1. MAX9552 EV Kit Schematic

# MAX9552 Evaluation Kit

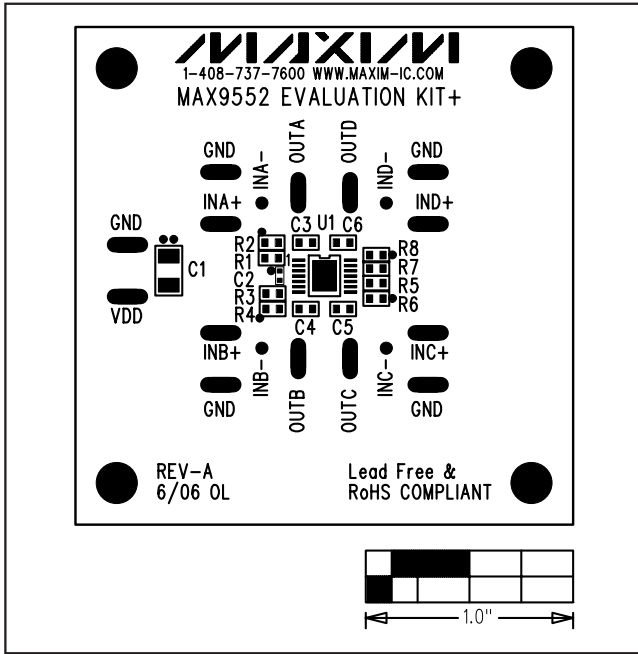


Figure 2. MAX9552 EV Kit Component Placement Guide—Component Side

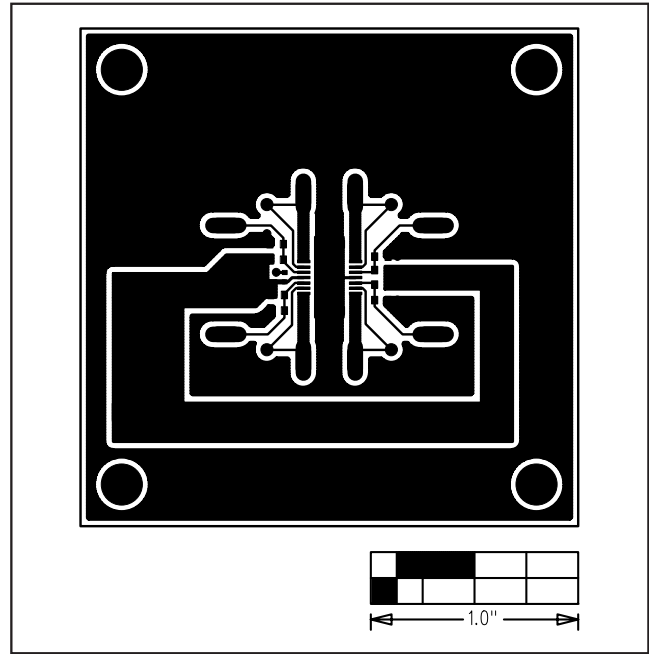


Figure 3. MAX9552 EV Kit PCB Layout—Component Side

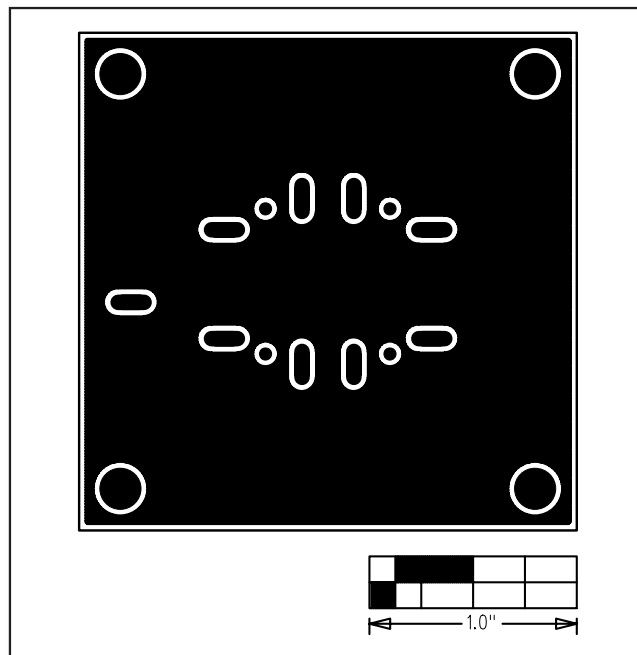


Figure 4. MAX9552 EV Kit PCB Layout—Solder Side

Maxim cannot assume responsibility for use of any circuitry other than circuitry entirely embodied in a Maxim product. No circuit patent licenses are implied. Maxim reserves the right to change the circuitry and specifications without notice at any time.

4 \_\_\_\_\_ **Maxim Integrated Products, 120 San Gabriel Drive, Sunnyvale, CA 94086 408-737-7600**