

# SPECIFICATIONS

RoHS Compliant



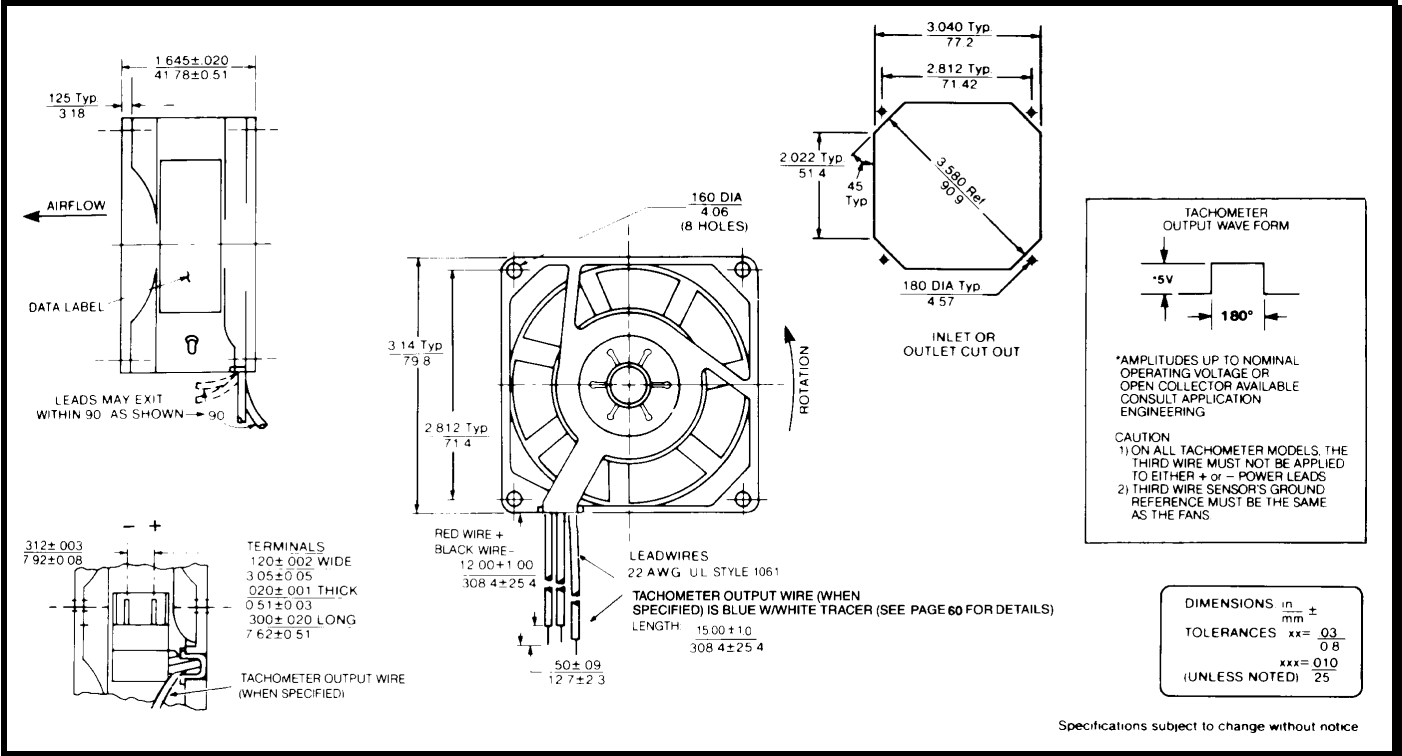
**Model Number:** SD24B5

**Part Number:** 030768

**SPEC Number:** 26013965A

**Nov.23.2011**

## Mechanical Drawing:



### Motor:

Nominal Voltage	= 24 vdc
Operating Voltage Range	= 12 - 28vdc
Nominal Running Current	= 0.130 amps
Locked Rotor Current	= 0.60 amps
Running Power	= 3.0 watts
Average Speed	= 3500
Bearings	= Ball
Air Flow	= 35 CFM
Acoustic	= 47.6 dBA

### Construction:

Venturi: Single Piece Die-Cast Zinc Alloy, Black  
 Propeller: Plastic, Black, UL 94V-0

### Agency Approvals:

UL, CE

### Life Expectancy:

This fan is designed for continuous duty life of 83,000 hours at 40°C.

### Additional Features:

Brushless DC Motor  
 Locked Rotor Protection  
 Polarity protected  
 Automatic Restart Capability  
 Operating Temperature: -10°C to 70°C  
 Storage Temperature: -40°C to 85°C

### Tachometer:

Output: 5 vdc TTL Compatible  
 I<sub>c</sub>: 5 mA Typical  
 Pulses per Revolution: 1  
 Isolated: No

### Termination:

12" Lead wires, AWG 22, UL 1061  
 Red = Power (+)  
 Black = Return (-)  
 Blue/White = Tachometer (Output)