

4

3

2

1

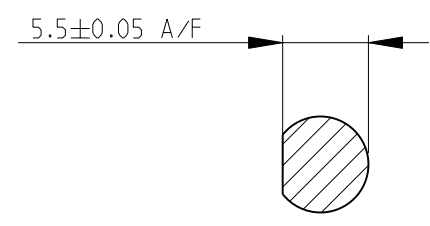
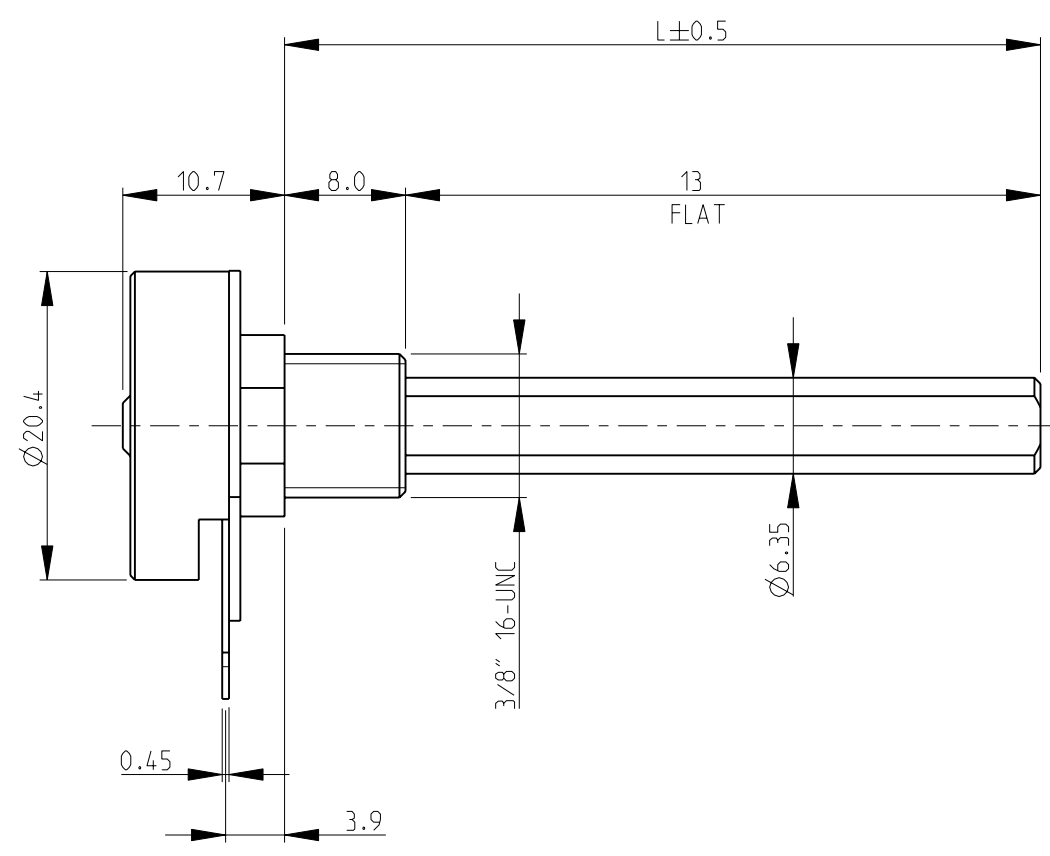
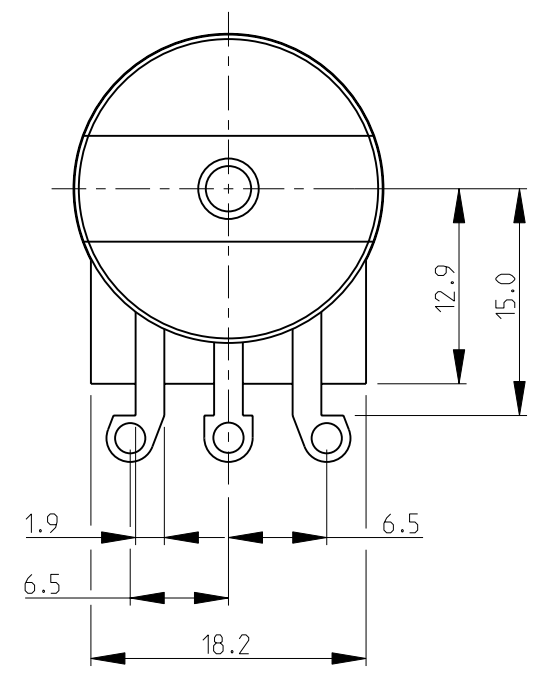
THIS DRAWING IS UNPUBLISHED. RELEASED FOR PUBLICATION 2008  
 © COPYRIGHT 2008 BY TYCO ELECTRONICS CORPORATION. ALL RIGHTS RESERVED.

| LOC | DIST | REVISIONS   |             |           |         |
|-----|------|-------------|-------------|-----------|---------|
| P   | LTR  | DESCRIPTION | DATE        | DWN       | APVD    |
| E   | B    | BA          | NEW RELEASE | 30-Jul-08 | SM St.P |

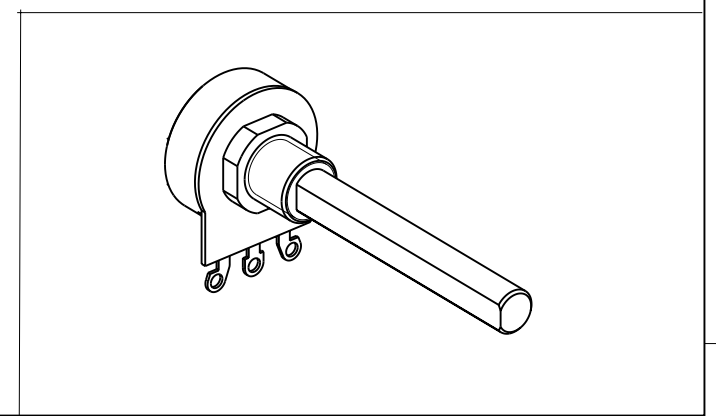
D

D

- 1 AVAILABLE IN DIFFERENT SHAFT LENGTHS (L) SEE DATA SHEET
- 2 FOR FURTHER INFORMATION SEE DATA SHEET FOR 23 SERIES-SPINDLE OPERATED POTENTIOMETER



RoHS Compliant



B

B

A

A

|   |  |  |  |                                     |
|---|--|--|--|-------------------------------------|
| <small>THIS DRAWING IS A CONTROLLED DOCUMENT FOR TYCO ELECTRONICS CORPORATION IT IS SUBJECT TO CHANGE AND THE CONTROLLING ENGINEERING ORGANIZATION SHOULD BE CONTACTED FOR THE LATEST REVISION.</small> |  | DWN SUBHASH.M 30-Jul-08<br>CHK PRAKASH.S 30-Jul-08<br>APVD STEPHEN.P 30-Jul-08                     | <b>Tyco Electronics</b> Tyco Electronics Corporation<br>Dorcan, Swindon, SN3 5HH |                                     |
| DIMENSIONS: mm<br>  | TOLERANCES UNLESS OTHERWISE SPECIFIED:<br>0 PLC ±0.5<br>1 PLC ±0.2<br>2 PLC ±0.1<br>3 PLC ±-<br>4 PLC ±-<br>ANGLES ±5° | NAME SPINDLE OPERATED POTENTIOMETER SERIES 23E<br>PRODUCT SPEC -<br>APPLICATION SPEC -<br>WEIGHT - | SIZE A3<br>CAGE CODE 00779<br>DRAWING NO © 1624127                               | RESTRICTED TO -                     |
| MATERIAL -  | FINISH -   | CUSTOMER DRAWING   |  | SCALE 2:1<br>SHEET 1 OF 1<br>REV BA |