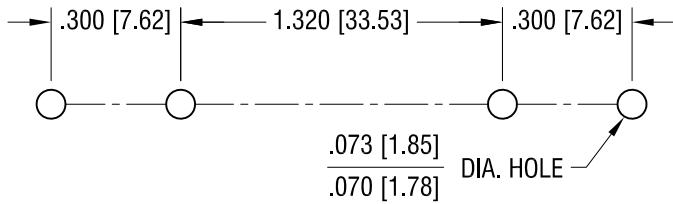
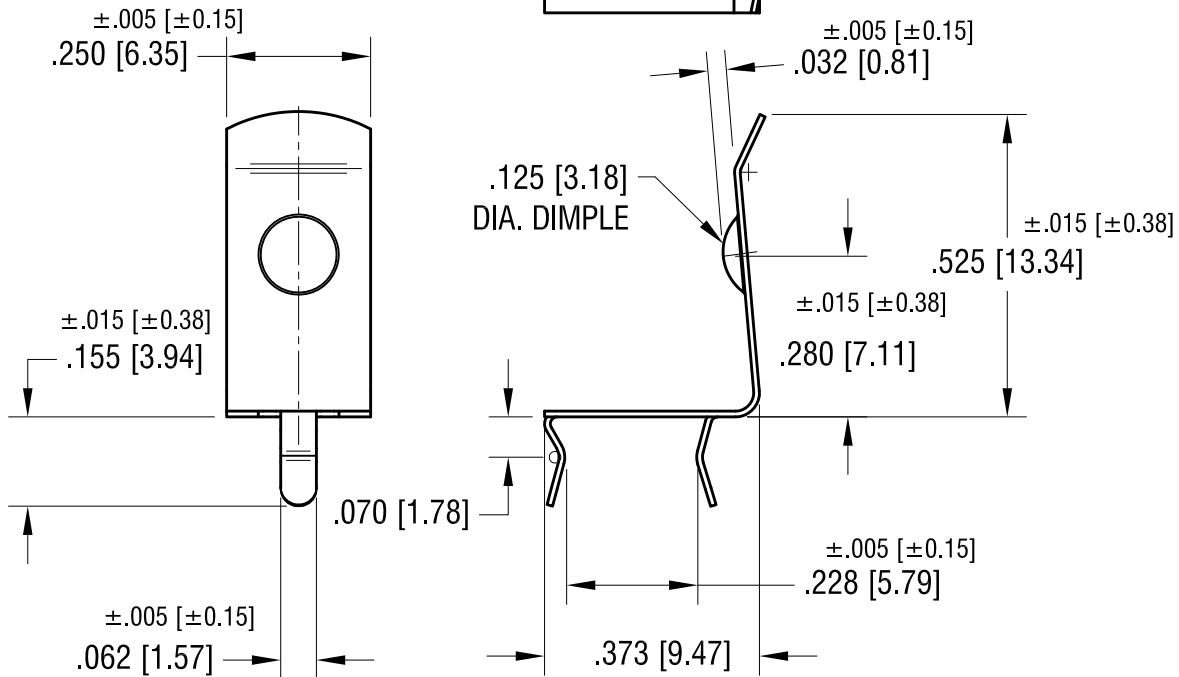
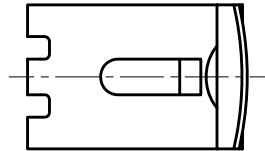


REQUIRED SPACING FOR 'AA' CLIP



THIS DOCUMENT IS THE PROPERTY OF KEYSTONE ELECTRONICS CORP. AND SHALL NOT BE REPRODUCED, DISTRIBUTED OR USED AS A BASIS FOR MANUFACTURE WITHOUT PRIOR WRITTEN PERMISSION FROM KEYSTONE ELECTRONICS CORP.

ACTUAL SIZE



NOTE:

1. HEAT TREAT TO SPRING TEMPER.

KEYSTONE ELECTRONICS CORP.

www.keyelco.com • ASTORIA, N.Y. 11105-2017 • Tel (718) 956-8900

PART NAME

'AA' & 'A' PC BATTERY CONTACT

MATERIAL

.010 [.25] TH'K ANNEALED SPRING STEEL

FINISH

TIN NICKEL PLATE

DRN BY

BOONE

DATE

2.22.99

APP'D

LN

SCALE

3X

TOLERANCES

INCH [MM]

DECIMAL $\pm .010$ [± 0.25]

ANGULAR $\pm 2^\circ$

UNLESS OTHERWISE SPECIFIED

CODE

C

DWG NO.

52

DATE	DESCRIPTION	REV.
10.06.16	CHANGE AS PER ECR 16-064	G
7.16.14	CHANGE AS PER ECN14-067	F
6.28.13	CHANGE AS PER ECN13-052	E
6.19.06	CHANGE AS PER ECN 06-037	D