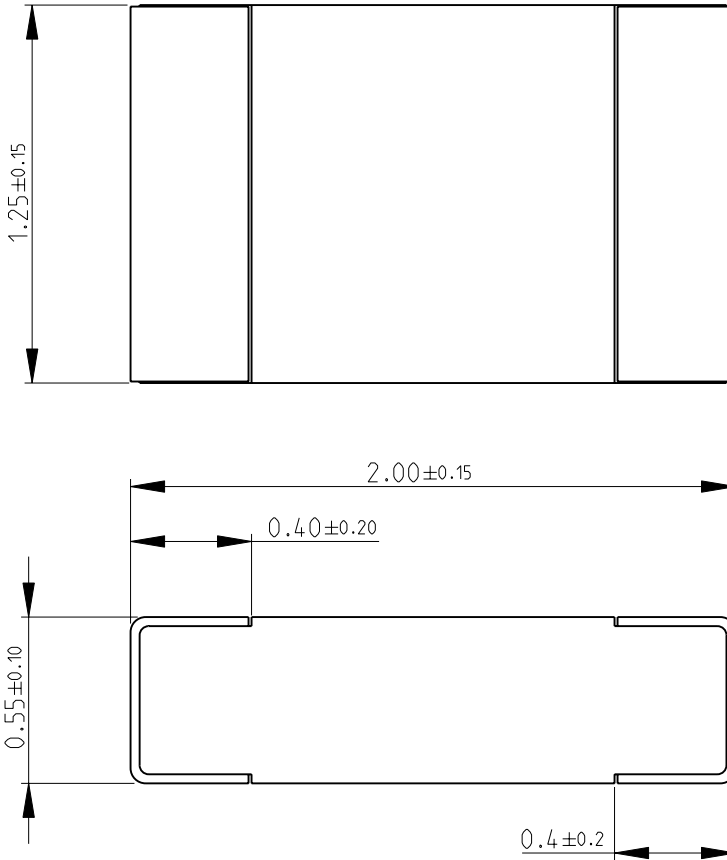
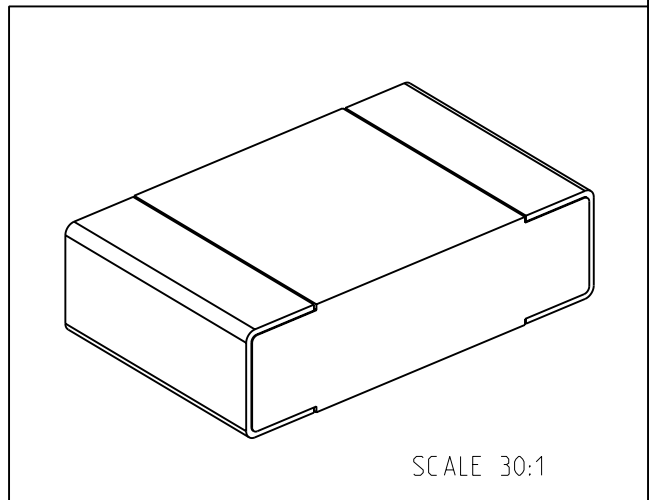


LOC	DIST	REVISIONS					
E	B	P	LTR	DESCRIPTION	DATE	DWN	APVD
			BA	NEW RELEASE	08-JAN-09	SM	St.P

FOR FURTHER INFORMATION SEE DATA SHEET FOR
CRG SERIES-THICK FILM CHIP RESISTORS



RoHS Compliant



SCALE 30:1

2009

RELEASED FOR PUBLICATION

THIS DRAWING IS UNPUBLISHED.

BY TYCO ELECTRONICS CORPORATION. ALL RIGHTS RESERVED.



DIMENSIONS: mm	DWN	SUBHASH.M	08-JAN-09	MATERIAL	-	FINISH	-
	CHK	PRAKASH.S	08-JAN-09	Tyco Electronics Corporation Dorcan, Swindon, SN3 5HH			
TOLERANCES UNLESS OTHERWISE SPECIFIED:	APVD	STEPHEN.P	08-JAN-09				
0 PLC ±0.5	PRODUCT SPEC	NAME THICK FILM CHIP RESISTORS SERIES CRG 0805					
1 PLC ±0.2	APPLICATION SPEC						
2 PLC ±0.1	WEIGHT	-					
3 PLC ±-	SIZE	A 4	CAGE CODE	00779	DRAWING NO	C= 1623156	
4 PLC ±-	RESTRICTED TO	-					
ANGLES ±5°	CUSTOMER DRAWING	SCALE 40:1			SHEET 1 OF 1		REV BA