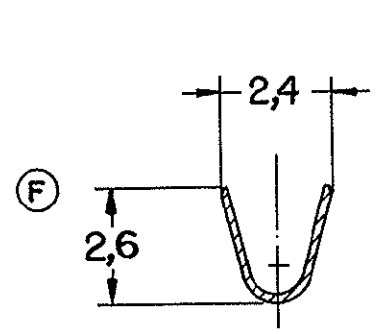
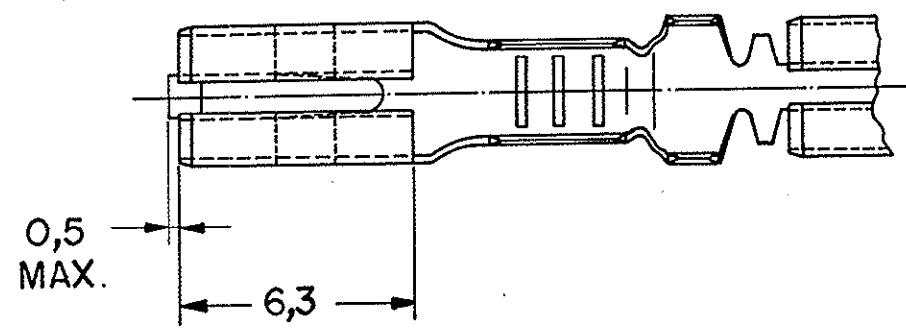
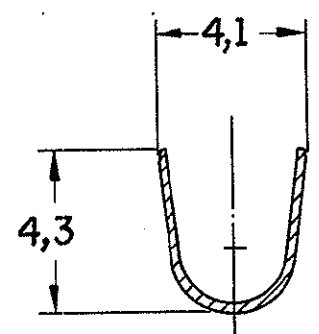


DWG NO.		DO NOT SCALE		METRIC		3rd ANGLE PROJECTION	
		DIMENSIONS IN mm.					
REQ. PER ASSY	ITEM	DESCRIPTION	MATERIAL	FINISH			

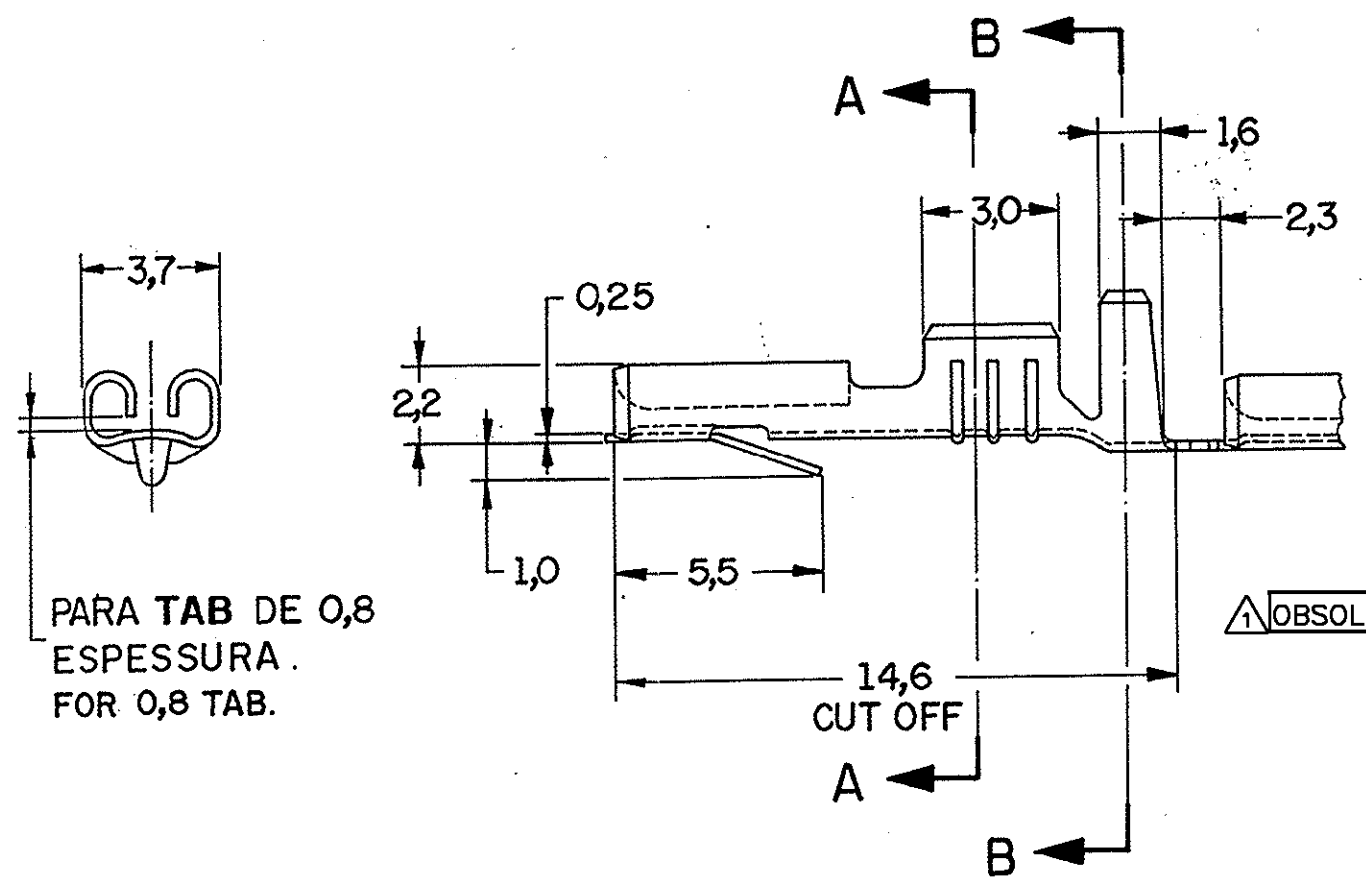


SECÇÃO A-A
SECTION



SECÇÃO B-B
SECTION

△ OBSOLETE PARTS: OBSOLETE CIS STREAMLINING PER D.RENAUD/D.SINISI



PARA TAB DE 0,8
ESPESSURA.
FOR. 0,8 TAB.

△ OBSOLETE

	-7	PRATEADO	LATÃO
	-6	PRÉ ESTANHADO	BRONZE FOSFOROSO
	-5	PRÉ ESTANHADO	LATÃO
880 679	-3	———— / ———	BRONZE FOSFOROSO
INATIVO	-2	ESTANHADO	INATIVO
880679	-1	———— / ———	LATÃO
LOOSE PIECE		FINISH	MATERIAL
			PART NUMBER
			880 634 -3
			INATIVO -2
			880634 -1

CUSTOMER DWG
for REFERENCE ONLY

THIS DRAWING IS UNPUBLISHED | RELEASED FOR PUBLICATION 19
 © COPYRIGHT 19 BY AMP DO BRASIL LTDA S.P. ALL INTERNATIONAL RIGHTS RESERVED AMP PRODUCTS MAY BE COVERED BY U.S. AND FOREIGN PATENTS AND/OR PATENTS PENDING.

TOLERANCES UNLESS OTHERWISE STATED
 DEC. ± 0,3
 ANGLES ± 1°

INS. DIA. RANGE 2,0 - 3,3 mm
 WIRE RANGE 2 0,5 - 1,0 mm
 SCALE — / —

AMP AMP do BRASIL LTDA.
São Paulo, Brasil

DR. N.C. LAPRESA.
05 - JUL - 93

DESCRIPTION: .110 SERIES RECEPTACLE
FASTIN - FASTON

F1	REVISED PER ECO-09-026444	KK AEG	26NOV09	CHK.	J.R. 20-JUL-93
F	REVISED BY	130/00 NCL	13/01/02	DE. H. P.	22 JUL 93
E	DIM. 2,4 ERA 2,6	280/93	23Aug93		
D	REDRAWN WITH CHANGE	208/93	20-JUL-93		

ISS REVISION RECORD ECH DR/CHK DATE APP.

A3 DWG NO C 880 634 SHEET 1 OF 1