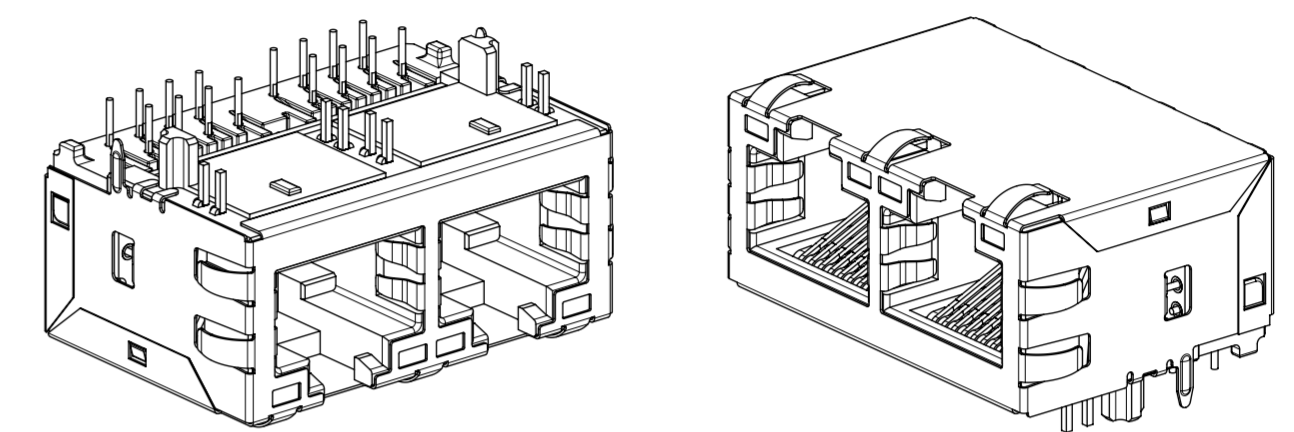
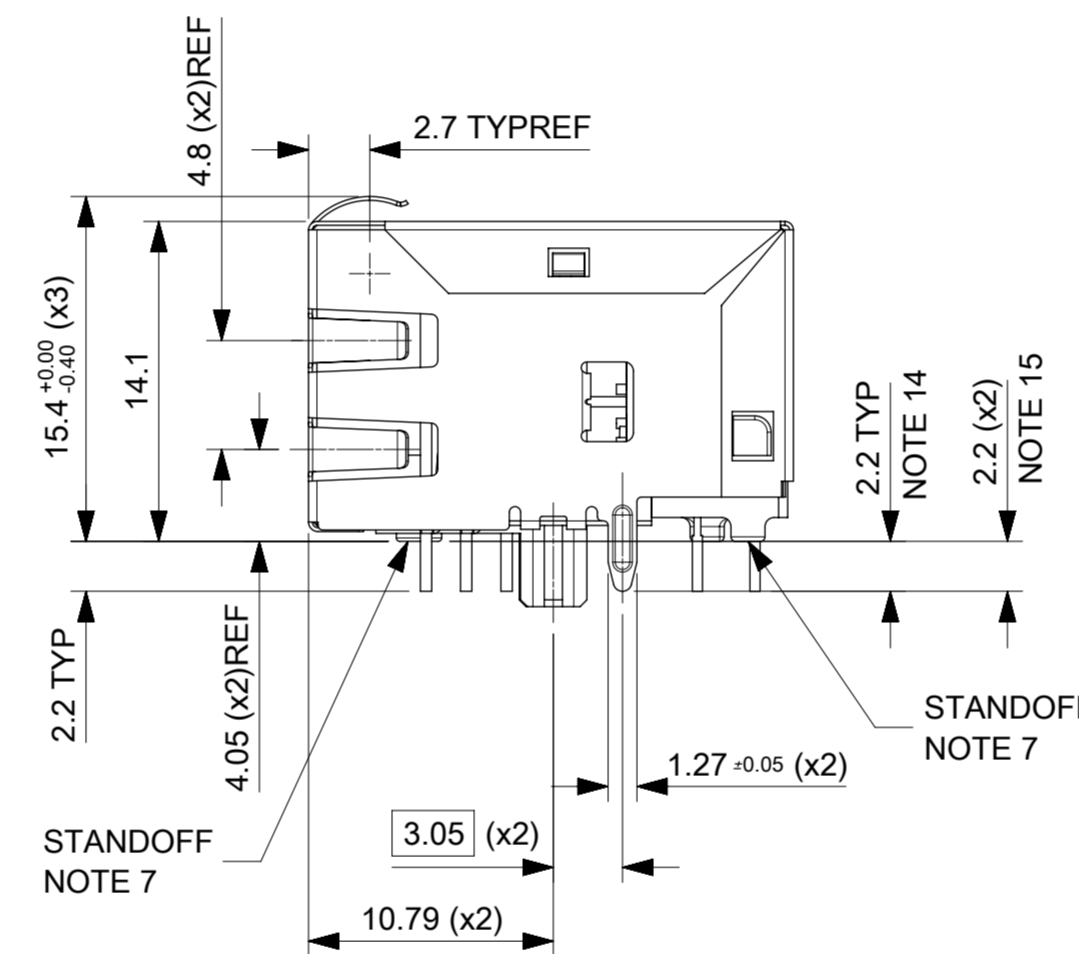
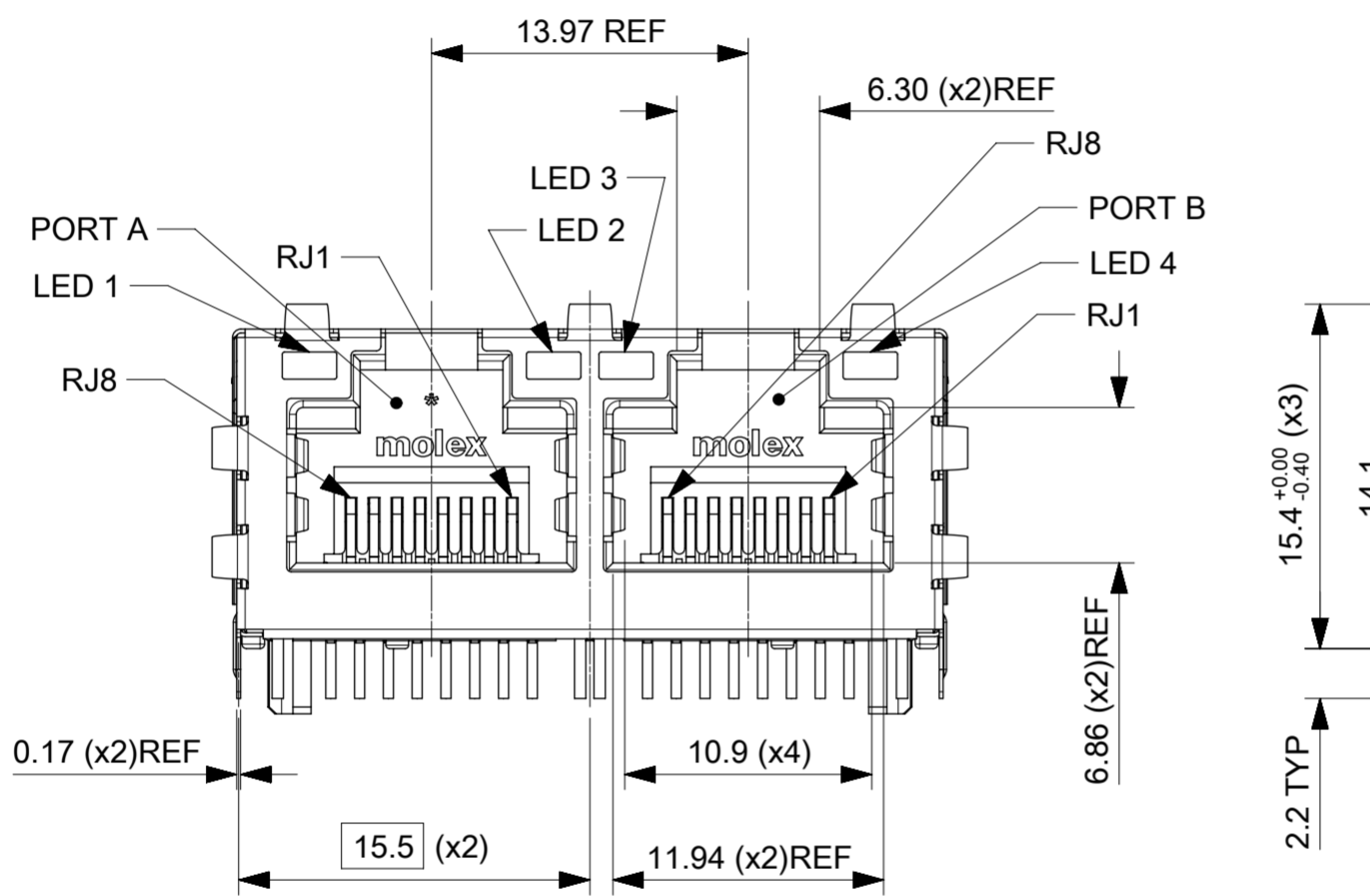


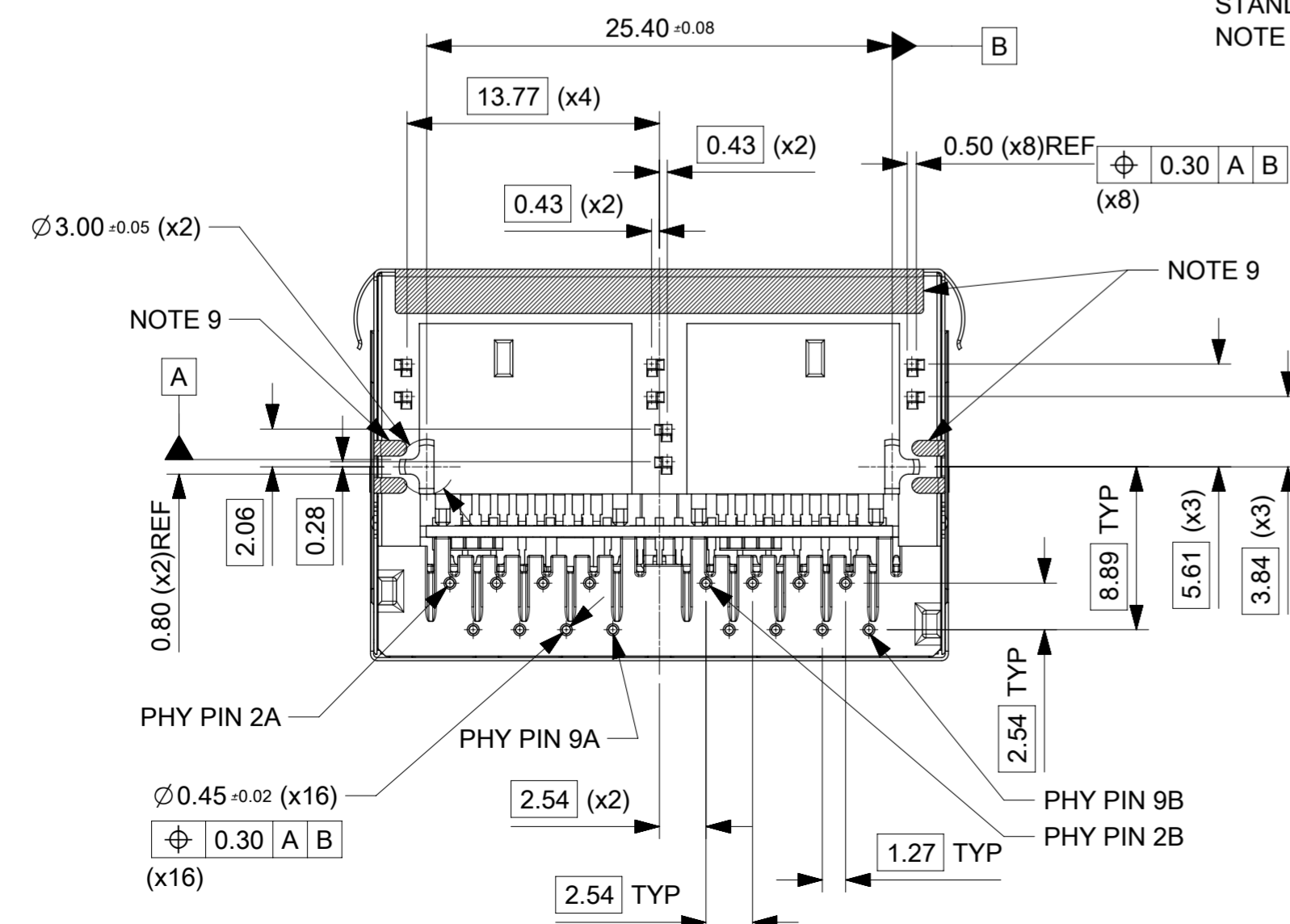
PART NO.	LED COLOR			
	LED 1	LED 2	LED 3	LED 4
938283026	GREEN	YELLOW	GREEN	YELLOW



INVERTED PROFILE DUAL PORT MAGNETIC JACK
FAST ETHERNET
WITH LED
WITH SHIELD TABS



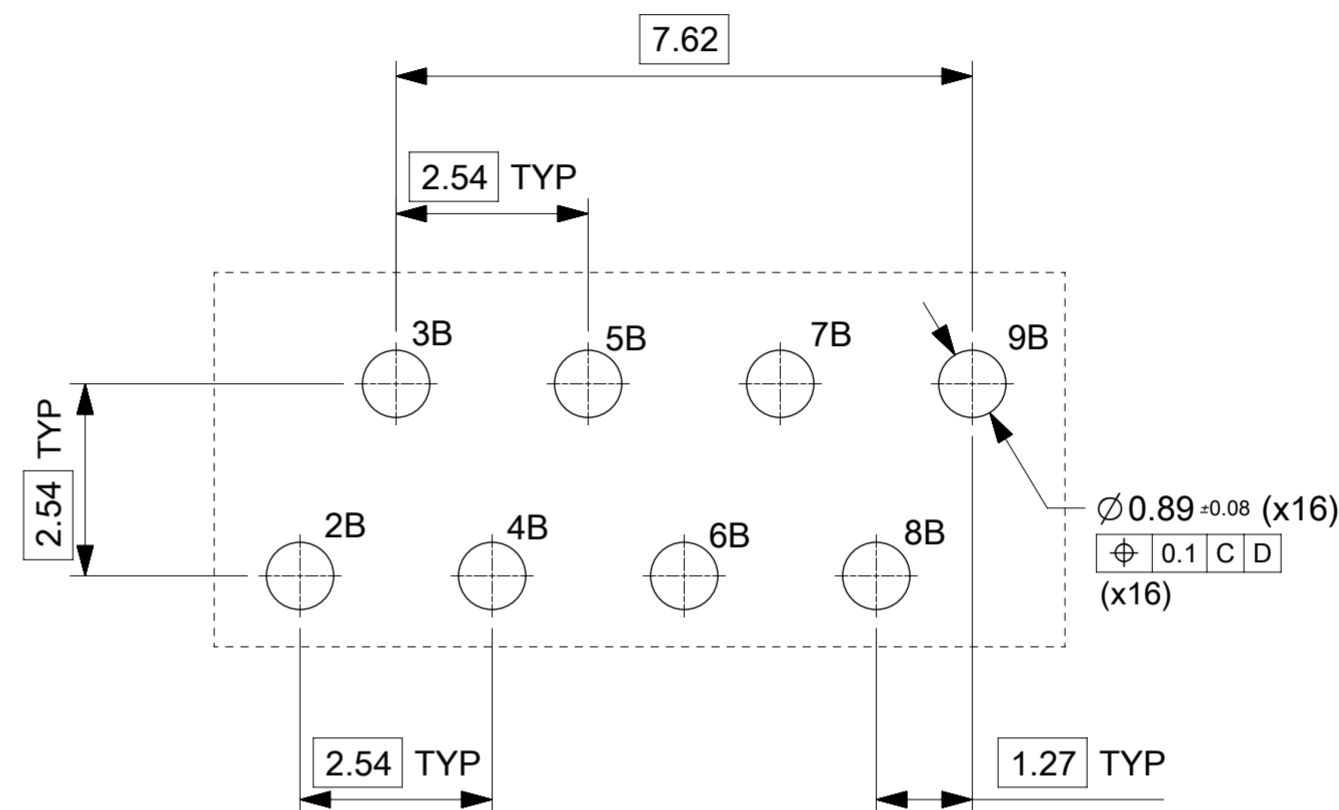
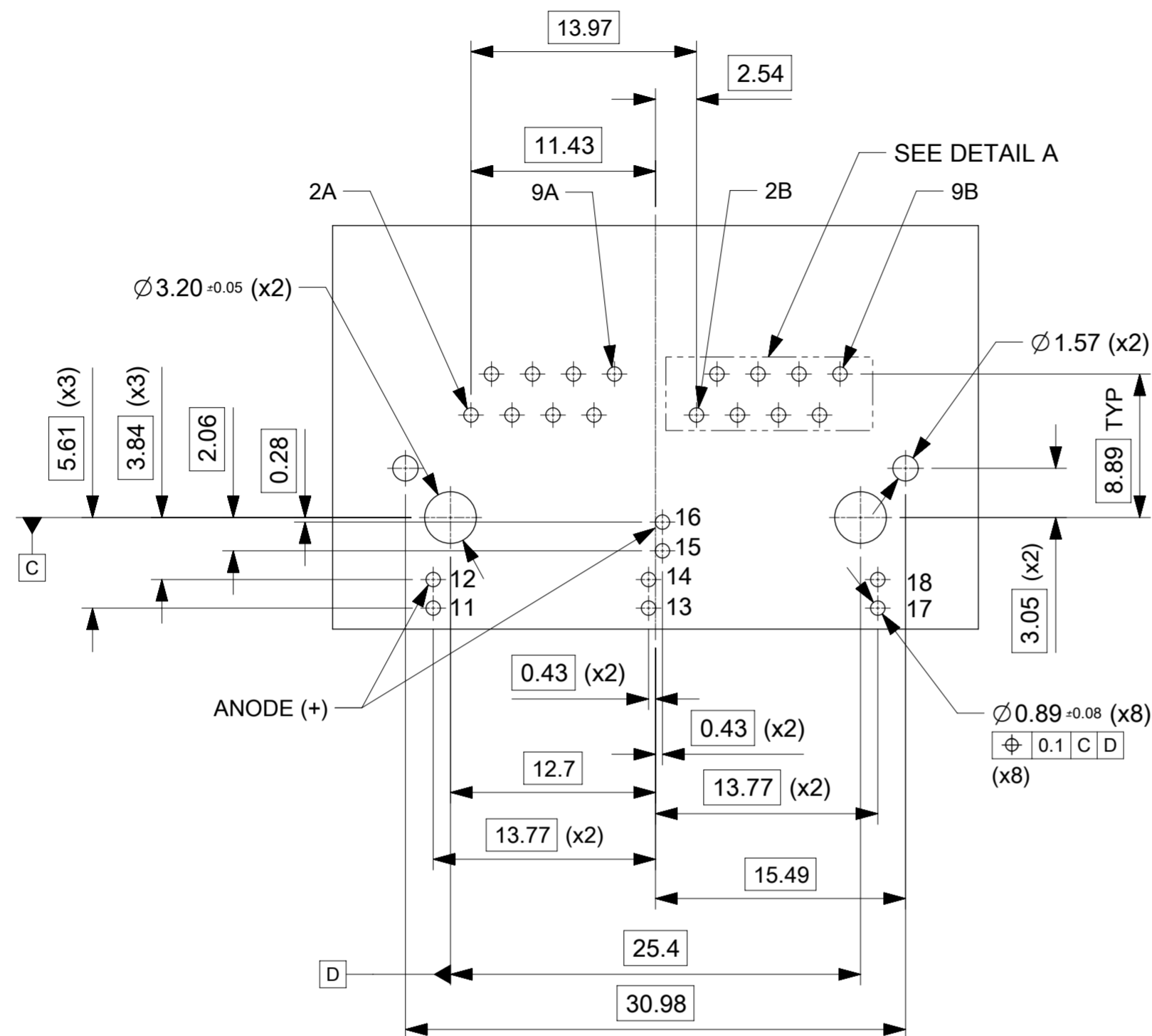
- NOTES:
- SHIELD MATERIAL: 0.17 mm THICK BRASS PRE-PLATED WITH NICKEL
SOLDER TABS POST DIPPED WITH MIN. 1.27 µm TIN
 - HOUSING MATERIAL: LCP, BLACK, UL 94V-0
 - TERMINALS MATERIAL: PHOSPHOR BRONZE
RJ45 CONTACTS PLATING: BASE NICKEL PLATED WITH GOLD
FLASH OVER PALLADIUM NICKEL. REFER TO 934620001 PSP
PHY SOLDER TAILS: COPPER ALLOY
 - MATING INTERFACE ACCORDING TO IEC 60603-7 & TIA-1096-A
 - PRODUCT SPECIFICATION: 934620001 PSP
 - PACKAGING SPECIFICATION: 938240001 PSK TRAY
 - STAND OFF TO SYSTEM BOARD 0.30 mm MIN
 - RECOMMENDED PCB THICKNESS: 1.6 mm
 - SHIELD: AVOID ROUTING TRACES
OR PLACING ANY VIAS BELOW THESE AREAS.
 - FE VERSIONS DO NOT HAVE PINS 1A, 10A, 1B OR 10B
 - MATERIAL COMPLIANT TO RoHS DIRECTIVE 2002/95/EC
 - INSCRIPTION MARKED BY LASER:
1st: MOLEX
2nd: PART NUMBER
 - INSCRIPTION MARKED BY LASER:
DATE CODE (DAY/WEEK/YEAR)
 - PHY PIN LENGTH
 - SHIELD SOLDER TAB LENGTH



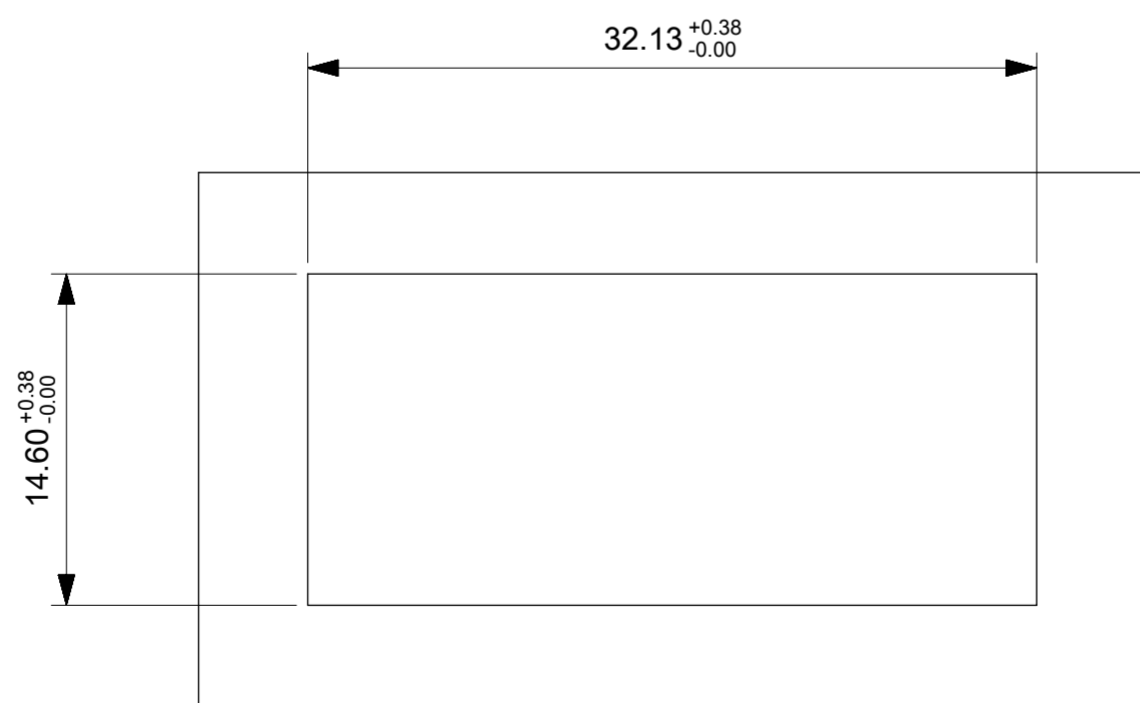
THIS DRAWING CONTAINS INFORMATION THAT IS PROPRIETARY TO MOLEX ELECTRONIC TECHNOLOGIES, LLC AND SHOULD NOT BE USED WITHOUT WRITTEN PERMISSION

ORIGINAL RELEASE EC NO: 123046 DRWN: DSHEA CHKD: SMC GREEVY REV: APPR: DBYRNES	2017/10/17	2017/10/23	2017/11/07	GENERAL TOLERANCES (UNLESS SPECIFIED)	DIMENSION UNITS	SCALE	molex MXMAG DUAL PORT 4C FE COMMERCIAL W/ LED
	ANGULAR TOL ± 2.0 °			mm	3:1		
	4 PLACES ±	3 PLACES ±	2 PLACES ± 0.1	DRWN BY	DATE	DSHEA	
1 PLACE ± 0.2	0 PLACES ±	DRAFT WHERE APPLICABLE MUST REMAIN WITHIN DIMENSIONS	CHK'D BY	DATE	SMC GREEVY	2017/10/23	PRODUCT CUSTOMER DRAWING
SERIES		MATERIAL NUMBER	CUSTOMER		93828	SEE CHART	
A	DRAWING SIZE		THIRD ANGLE PROJECTION		A2	DOCUMENT NUMBER	
938280001		DOC TYPE	DOC PART	SHEET NUMBER	PSD	000	1 OF 3

RECOMMENDED PCB LAYOUT
 FE VERSION W/ LED
 COMPONENT SIDE
 ALL DIMENSIONS REF DIMENSIONS



DETAIL A
 SCALE 10:1



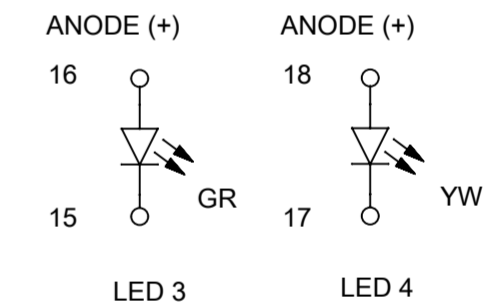
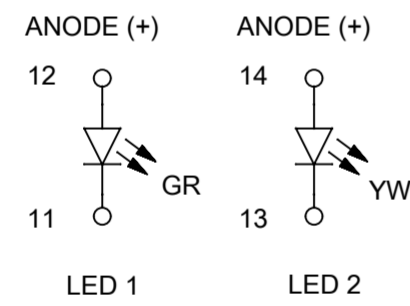
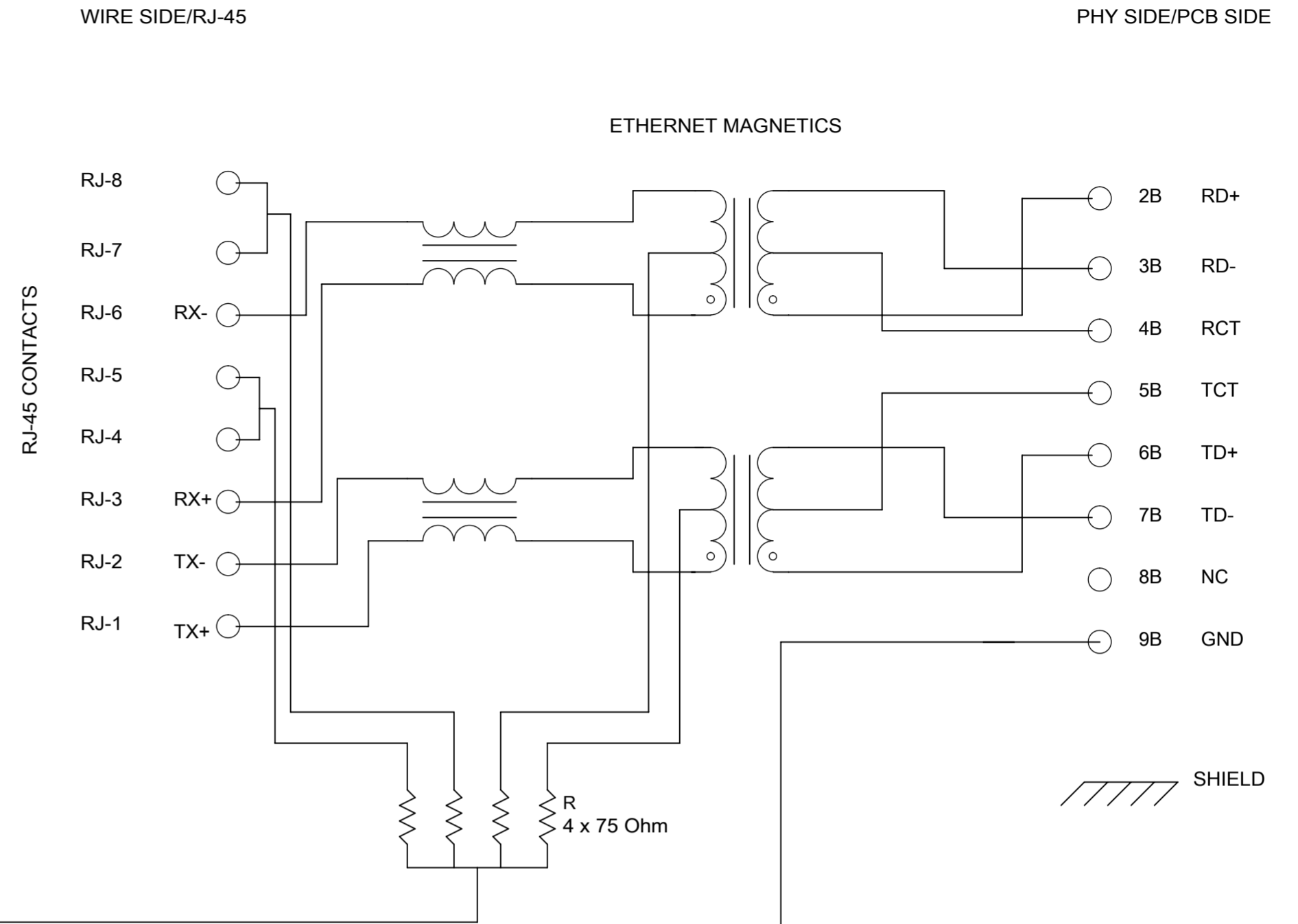
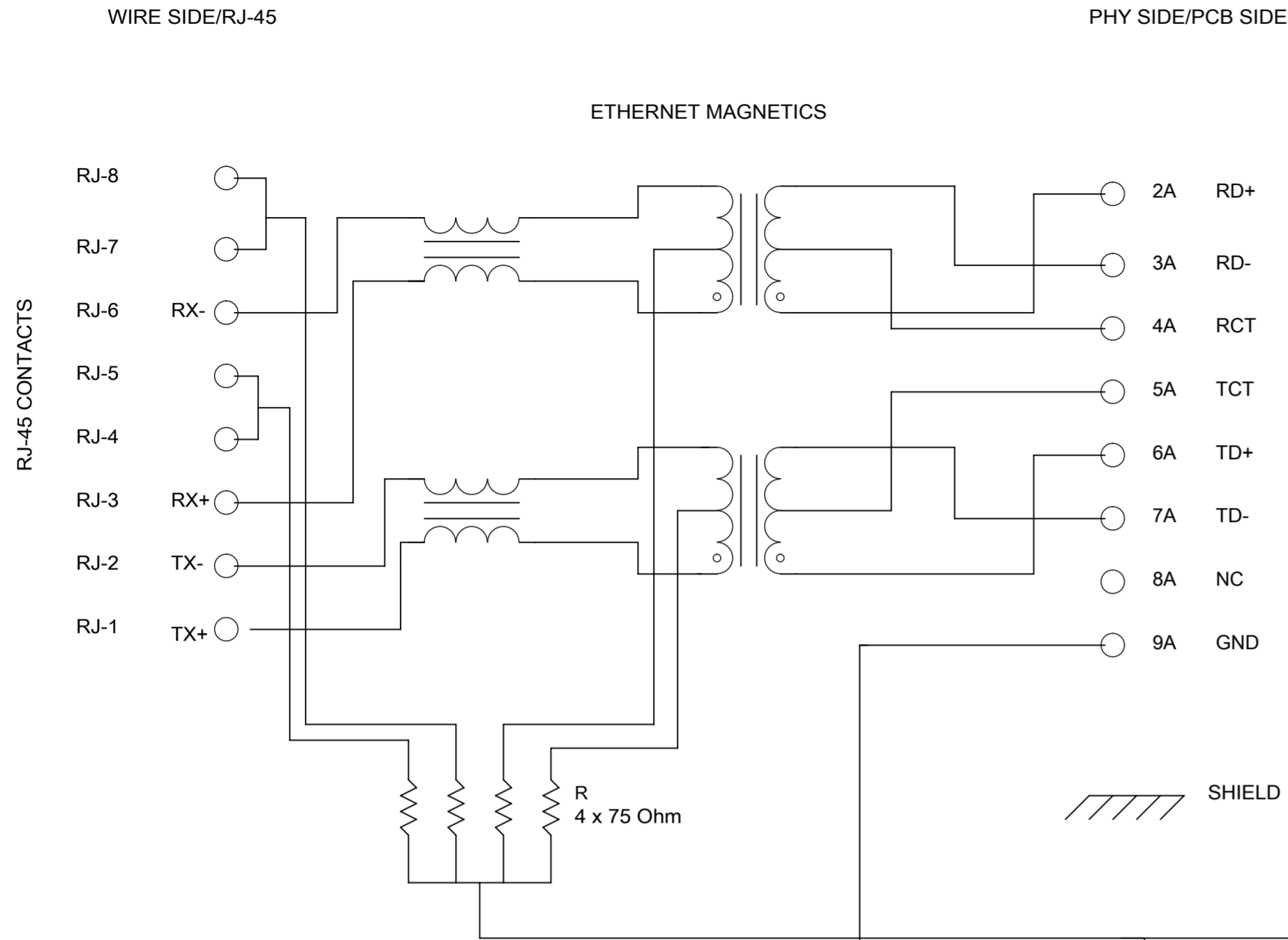
SUGGESTED PANEL CUTOUT

THIS DRAWING CONTAINS INFORMATION THAT IS PROPRIETARY TO MOLEX ELECTRONIC TECHNOLOGIES, LLC AND SHOULD NOT BE USED WITHOUT WRITTEN PERMISSION

ORIGINAL RELEASE EC NO: 123046 DRWN: DSHEA CHKD: SMCGREEVY REV: APPR: DBYRNES	2017/10/17	2017/10/23	2017/11/07	GENERAL TOLERANCES (UNLESS SPECIFIED)	DIMENSION UNITS	SCALE	
	4 PLACES	±		mm	3:1		
	3 PLACES	±		ANGULAR TOL ± 2.0 °	DRWN BY	DATE	
	2 PLACES	±	0.1	DSHEA	2017/04/05		
	1 PLACE	±	0.2	SMCGREEVY	2017/10/23		
0 PLACES	±		DBYRNES	2017/11/07	DATE		
DRAFT WHERE APPLICABLE MUST REMAIN WITHIN DIMENSIONS				DRAWING SIZE	THIRD ANGLE PROJECTION	PRODUCT CUSTOMER DRAWING SERIES: 93828 MATERIAL NUMBER: SEE SHEET 1 CUSTOMER: GENERAL MARKET	
				A2	DOCUMENT NUMBER: 938280001 DOC TYPE: PSD DOC PART: 000 SHEET NUMBER: 2 OF 3		

PORT A

PORT B



Description	Value	
OCL @100 kHz, 0.1 V 8 mA DC bias (0°C to +70°C)	350 μH min.	
Turns ratio	1CT:1CT	
Transmission characteristics @ 25°C, all four pairs		
Insertion Loss		
Frequency f, (MHz)	Limits (dB max.)	Typical Values (dB max.)
1.0-9.9	0.4+0.1*log(f)	0.5 @ 10 MHz
10-49.9	0.5+0.3*log(f/10)	0.7 @ 50 MHz
50-79.9	1+1.4*log(f/80)	1.0 @ 80 MHz
80-100	1.3+3*log(f/100)	1.3 @ 100 MHz
Return Loss		
Frequency f, (MHz)	Limits (dB min.)	Typical Values (dB min.)
1.0-39.9	18	18 @ 40 MHz
40-100	12-20*log(f/80)	10 @ 100 MHz
CMR		
Frequency f, (MHz)	Limits (dB min.)	Typical Values (dB min.)
1.0-100	30	30 @ 100 MHz
Next		
Frequency f, (MHz)	Limits (dB min.)	Typical Values (dB min.)
1.0-39.9	35	35 @ 40 MHz
40-100	33-20*log(f/50)	27 @ 100 MHz
Isolation PHY to wire side	2.25 kVDC/60sec	

THIS DRAWING CONTAINS INFORMATION THAT IS PROPRIETARY TO MOLEX ELECTRONIC TECHNOLOGIES, LLC AND SHOULD NOT BE USED WITHOUT WRITTEN PERMISSION

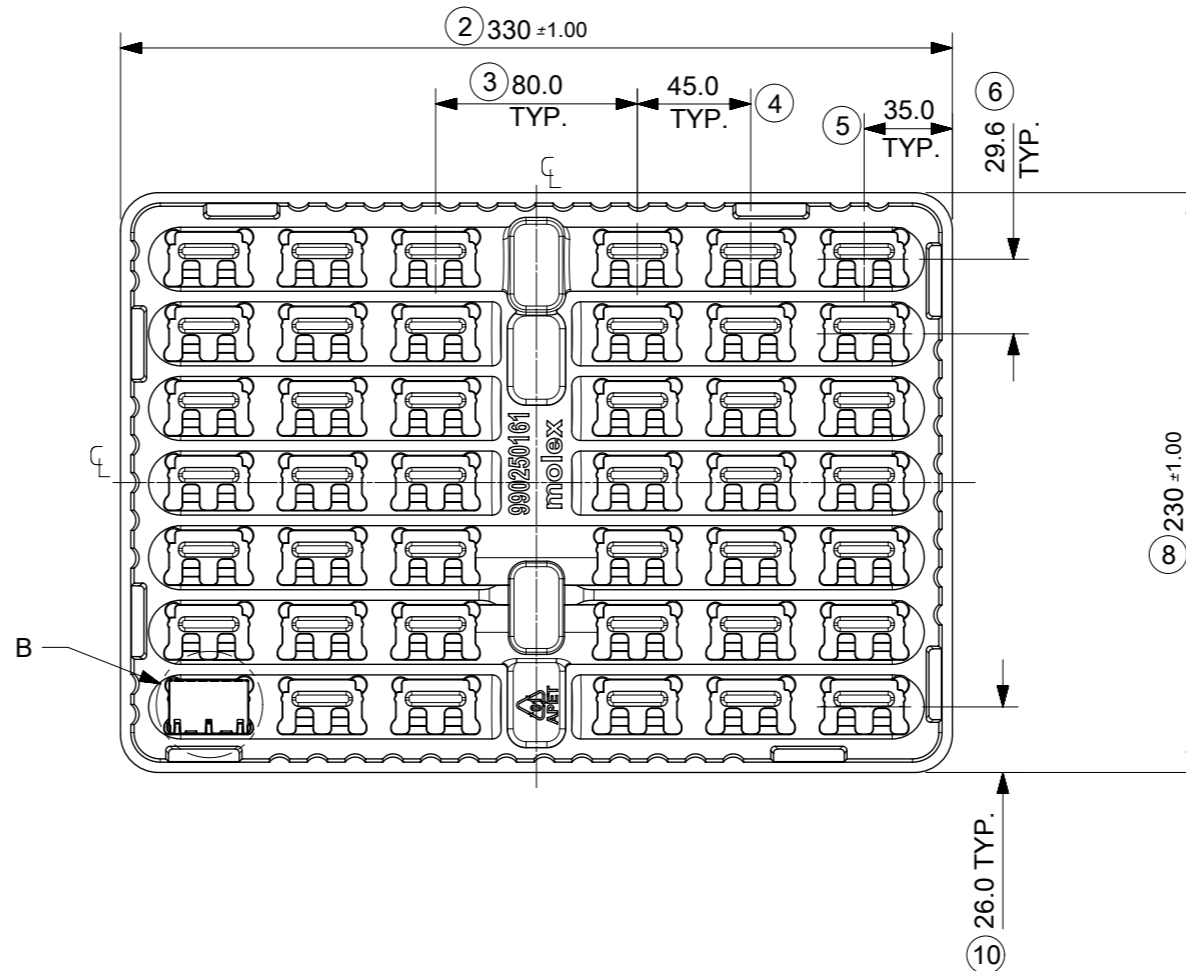
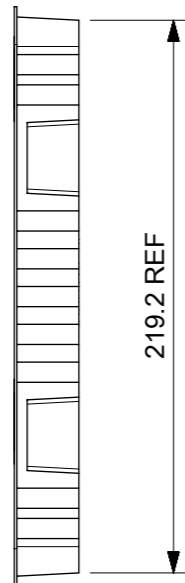
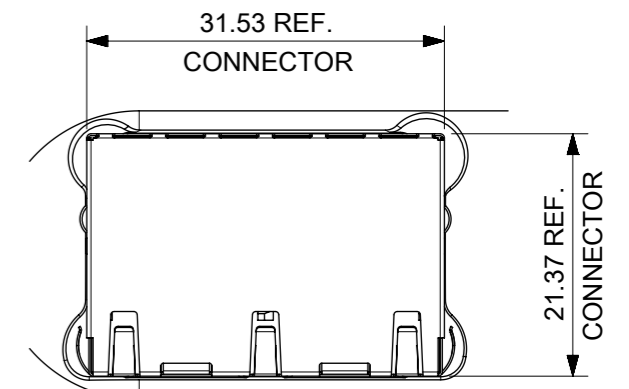
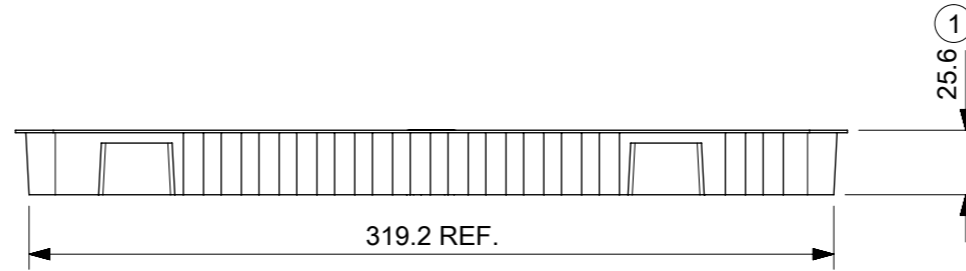
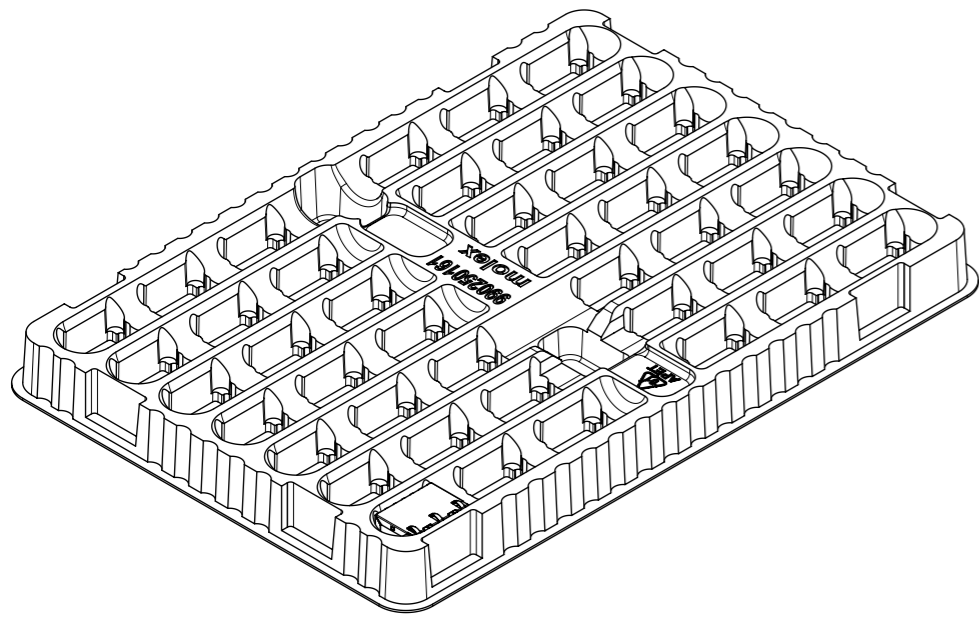
ORIGINAL RELEASE EC NO: 123046 DRWN: DSHEA CHKD: SMCGREEVY REV: APPR: DBYRNES	2017/10/17	2017/10/23	2017/11/07
	GENERAL TOLERANCES (UNLESS SPECIFIED)		
	DIMENSION UNITS	SCALE	
	mm	1:1	
ANGULAR TOL ± 2.0 °			
4 PLACES	±	DSHEA 2017/04/05	
3 PLACES	±	CHK'D BY DATE	
2 PLACES	± 0.1	SMCGREEVY 2017/10/23	
1 PLACE	± 0.2	APPR BY DATE	
0 PLACES	±	DBYRNES 2017/11/07	
DRAWING SIZE		THIRD ANGLE PROJECTION	
A2			
DRAFT WHERE APPLICABLE MUST REMAIN WITHIN DIMENSIONS			
A			

molex

MXMAG DUAL PORT 4C FE COMMERCIAL W/ LED

PRODUCT CUSTOMER DRAWING

SERIES	MATERIAL NUMBER	CUSTOMER
93828	SEE SHEET 1	GENERAL MARKET
DOCUMENT NUMBER	DOC TYPE	DOC PART SHEET NUMBER
938280001	PSD	000 3 OF 3



NOTES:

1. MATERIAL: PETA ANTISTATIC
2. THICKNESS: 0.9 mm REF
3. COLOUR: CLEAR
4. BOW 2 mm MAXIMUM PER 330 mm
5. TWIST 2 mm MAXIMUM PER 330 mm
6. TRAY PART NO. AND RECYCLE LOGO TO BE CLEARLY MARKED ON TRAY
RECYCLE LOGO SHOULD BE APPROPRIATE TO MATERIAL USED
7. WHERE RELEVANT, DIMENSIONS SHOULD BE SYMMETRICAL ABOUT THE CENTRELINE
8. GENERAL PROFILE TOLERANCE $\frac{\text{R}}{0.40}$ ON NON DIMENSIONED FEATURES
9. PACKAGING SPECIFICATION: 938240001 PSK

DIMENSION NUMBERS DELETED: 7, 9, 11, 12
LAST INSPECTION NUMBER USED: 10

THIS DRAWING CONTAINS INFORMATION THAT IS PROPRIETARY TO MOLEX ELECTRONIC TECHNOLOGIES, LLC AND SHOULD NOT BE USED WITHOUT WRITTEN PERMISSION

ORIGINAL RELEASE EC NO: 123046 DRWN: DSHEA CHK'D: SMCGREEVY APPR: DBYRNES	2017/10/17 2017/10/23 2017/11/07	GENERAL TOLERANCES (UNLESS SPECIFIED) ANGULAR TOL $\pm 1.0^\circ$		DIMENSION UNITS mm	SCALE 1:3				
	4 PLACES \pm 3 PLACES \pm 2 PLACES ± 0.2 1 PLACE ± 0.5 0 PLACES \pm		DRWN BY SMCGREEVY		DATE 2017/06/15				MXMAG DUAL PORT TRAY
	DRAFT WHERE APPLICABLE MUST REMAIN WITHIN DIMENSIONS		APPR BY DBYRNES		DATE 2017/11/07	PRODUCT CUSTOMER DRAWING			
	DRAWING SIZE A3		THIRD ANGLE PROJECTION 		SERIES 99025				MATERIAL NUMBER 990250150
DOCUMENT NUMBER 990250161						DOC TYPE PSD	DOC PART 000	SHEET NUMBER 1 OF 1	

RELEASE STATUS	P1	RELEASE DATE	07.11.2017	10:13:22
----------------	----	--------------	------------	----------