



# PRODUCT DATASHEET

## Lena series

last update 31/10/2016

### DETAILS

<b>Product Number</b>	CN13175_LENA-WAS-DL
<b>Family</b>	Lena
<b>Type</b>	RefPack
<b>Color</b>	metal
<b>Diameter</b>	111 mm
<b>Height</b>	41,2 mm
<b>Style</b>	round
<b>Optic Material</b>	PC
<b>Holder Material</b>	
<b>Fastening</b>	screw, socket
<b>Status</b>	production ready
<b>ROHS Compliant</b>	Yes
<b>Date Updated</b>	31/10/2016



### OPTICAL PROPERTIES

LED	Viewing Angle	Light Beam	Efficiency	cd/lm	Connector
LUXEON K12	Asymmetric deg	Asymmetric	77 %	1.050	-
LUXEON K16	Asymmetric deg	Asymmetric	76 %	0.970	-

D

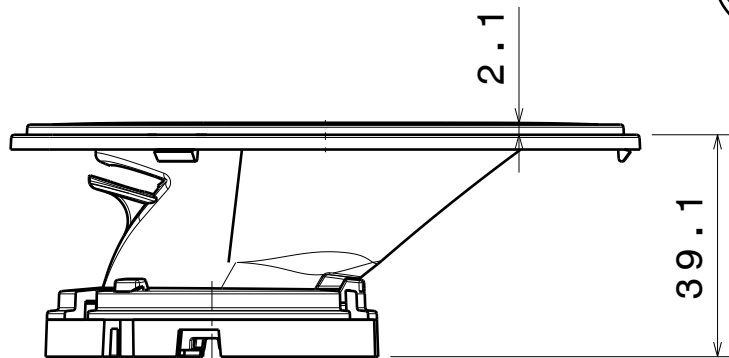
C

B

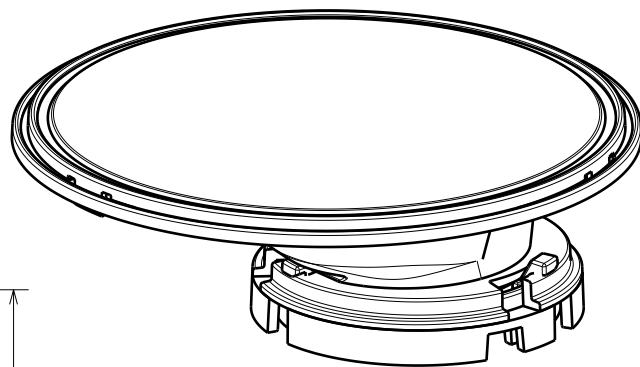
A

4

4



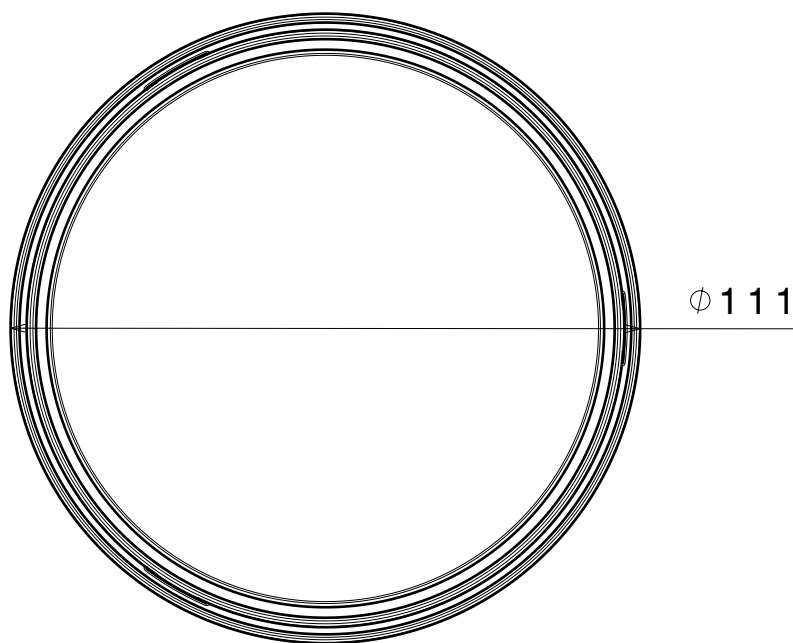
Front view



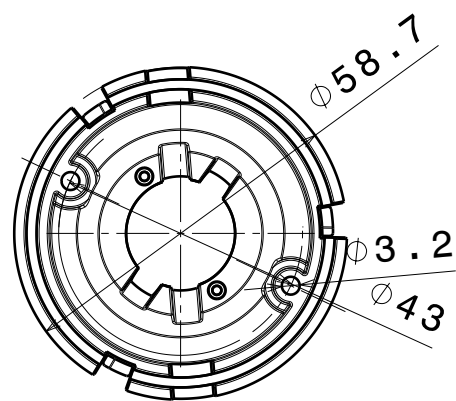
Isometric view

3

3



Top view



Materials

Reflector: PC  
 Base part: PC  
 Sublens: PC

Note: Using additional sublens add 2,1mm to total height.

2

2

This drawing is our property.  
 It can't be reproduced  
 or communicated without  
 our written agreement.



Ledil Oy  
 Salorankatu 10  
 FIN 24240 SALO  
 Finland

DRAWING TITLE | Mechanical drawing

DRAWN BY  
 as

DATE  
 26.9.2012

LENA-WAS

CHECKED BY  
 VS

DATE  
 -

SIZE | PART NUMBER | REV

A4 | | 001

DESIGNED BY  
 -

DATE  
 -

SCALE 1:4 | WEIGHT - mg | SHEET 1/1

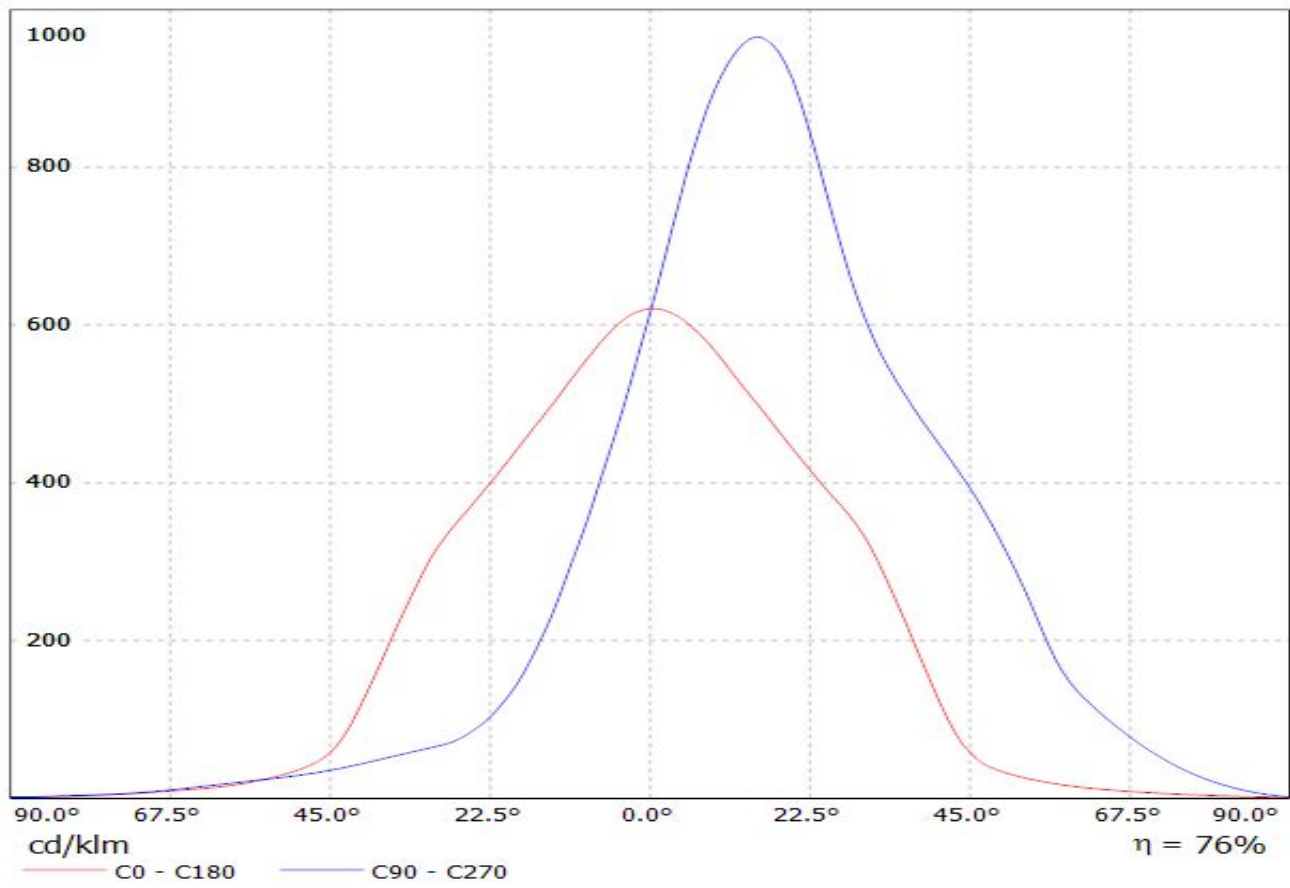
1

1

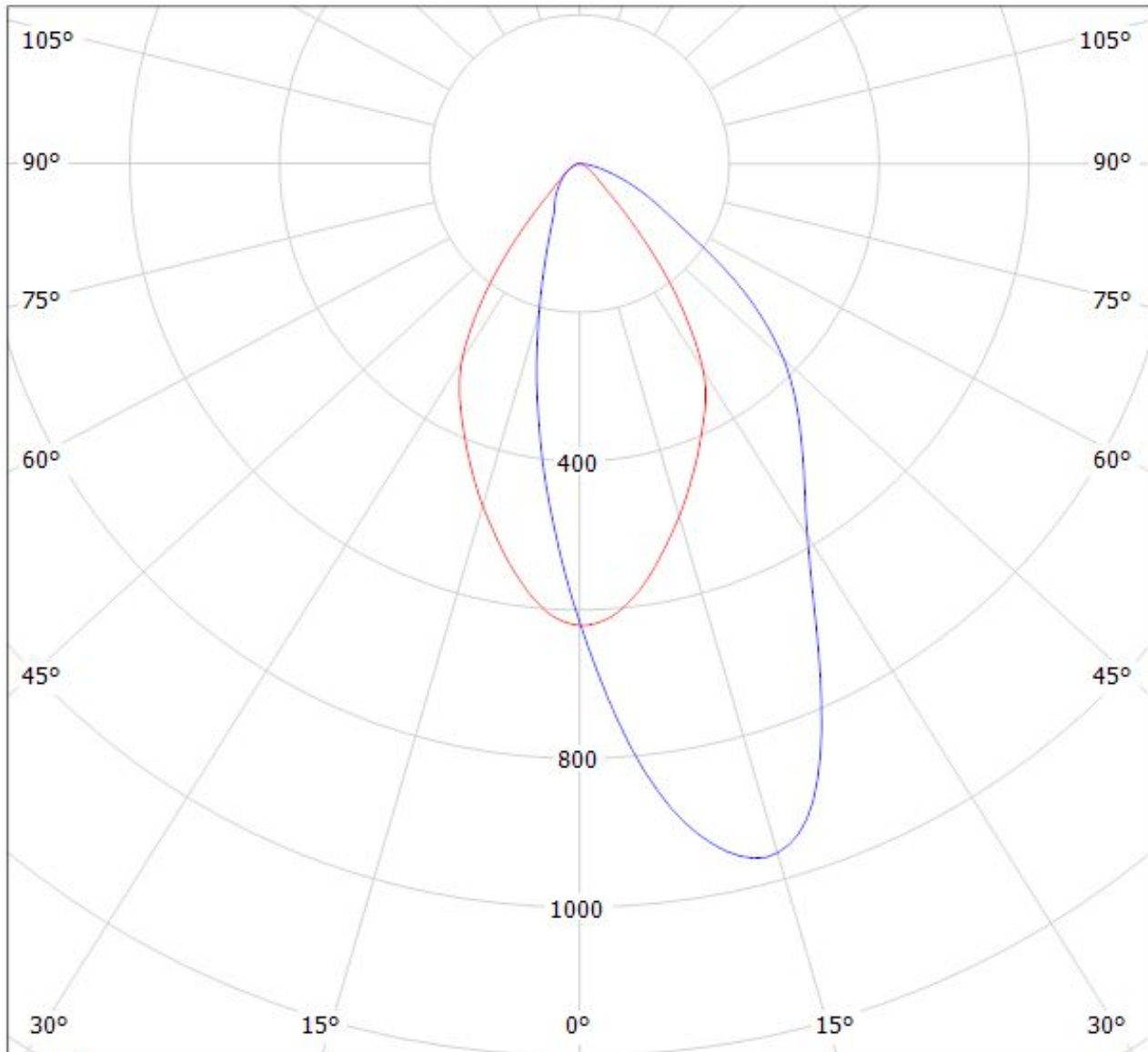
D

A

Luminaire: LEDiL Oy CN13175\_LENA-WAS-DL\_(Luxeon\_K16)  
Lamps: 1 x Luxeon\_K16 (1208.05lm@250mA)



Luminaire: LEDiL Oy CN13175\_LENA-WAS-DL\_(Luxeon\_K16)  
Lamps: 1 x Luxeon\_K16 (1208.05lm@250mA)



cd/klm

$\eta = 76\%$

— C0 - C180    — C90 - C270

**NOTE: The typical divergence will be changed by different color, chip size and chip position tolerance. The typical total divergence is the full angle measured where the luminous intensity is half of the peak value.**