

PART
NAME

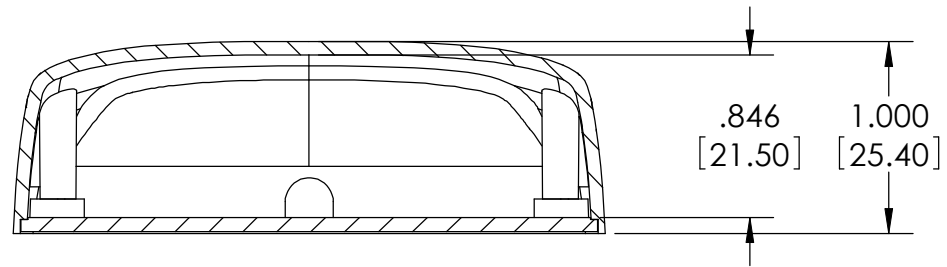
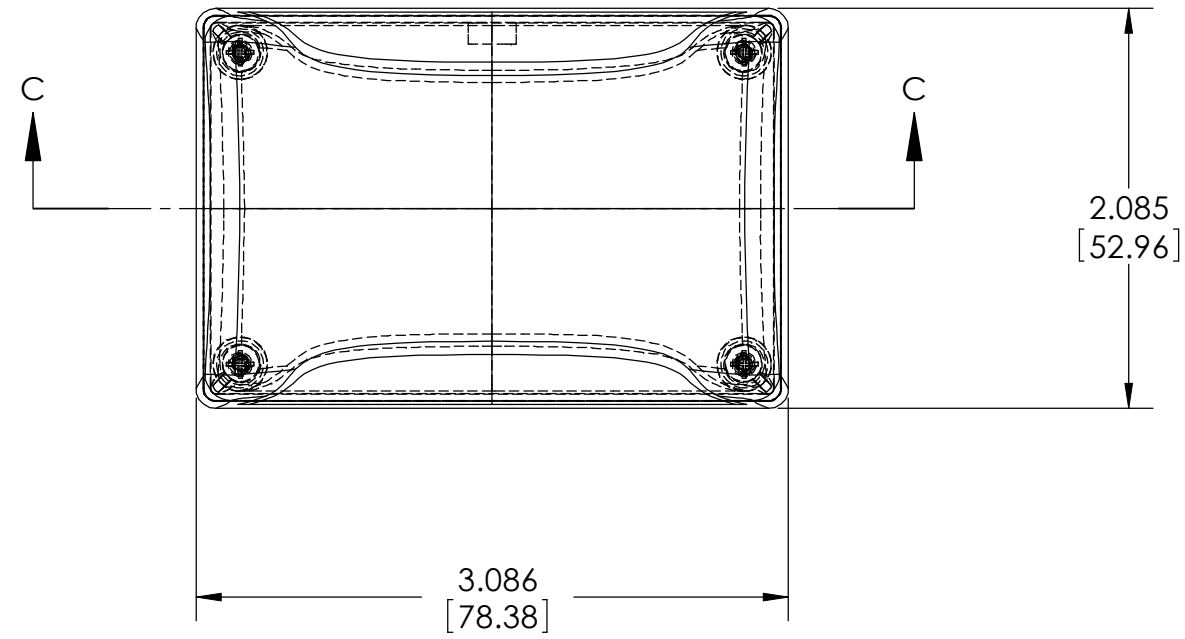
PLASTIBOX - STYLE M

PART
No.

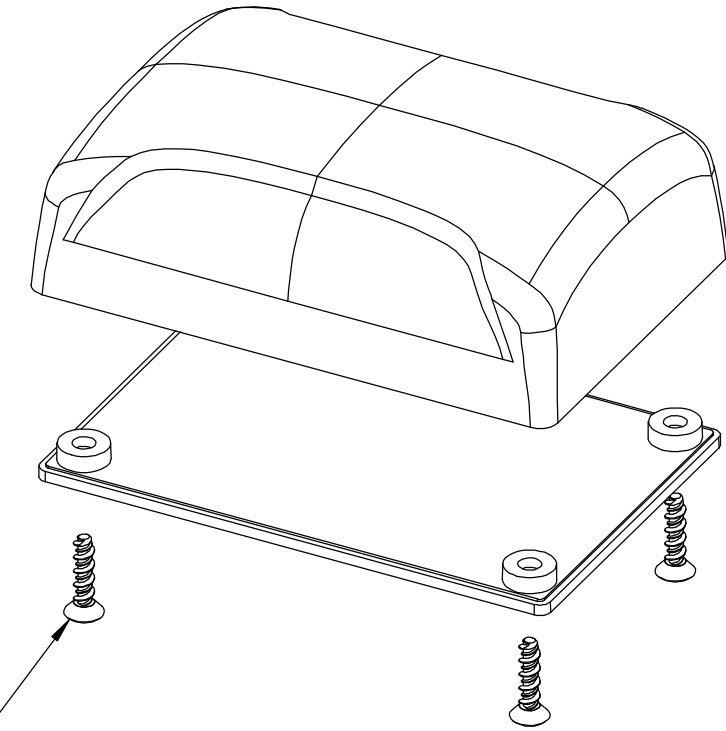
PT-11850-PXX

REVISION
DATE

3-30-09



SECTION C-C
SCALE 1 : 1



(4) SCREWS
FURNISHED

MATERIAL:
ABS, BLACK, UL94V0

MAR RESISTANT TEXTURED SURFACE