

MODEL:

SRW10USG

SmartRack® Wall-Mount Rack Enclosure Cabinet



10 Rack Units



200 lb.
Load Rating



Sturdy Steel
Construction



Locking Doors
& Side Panels



Clear Acrylic
Window



Standard
19" Rack Width



Convenient
Cable Access



Hinged Wall
Bracket



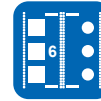
Adjustable
Mounting
Rails



Ventilated for
Ample Airflow



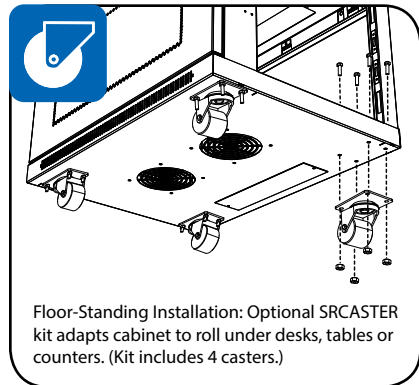
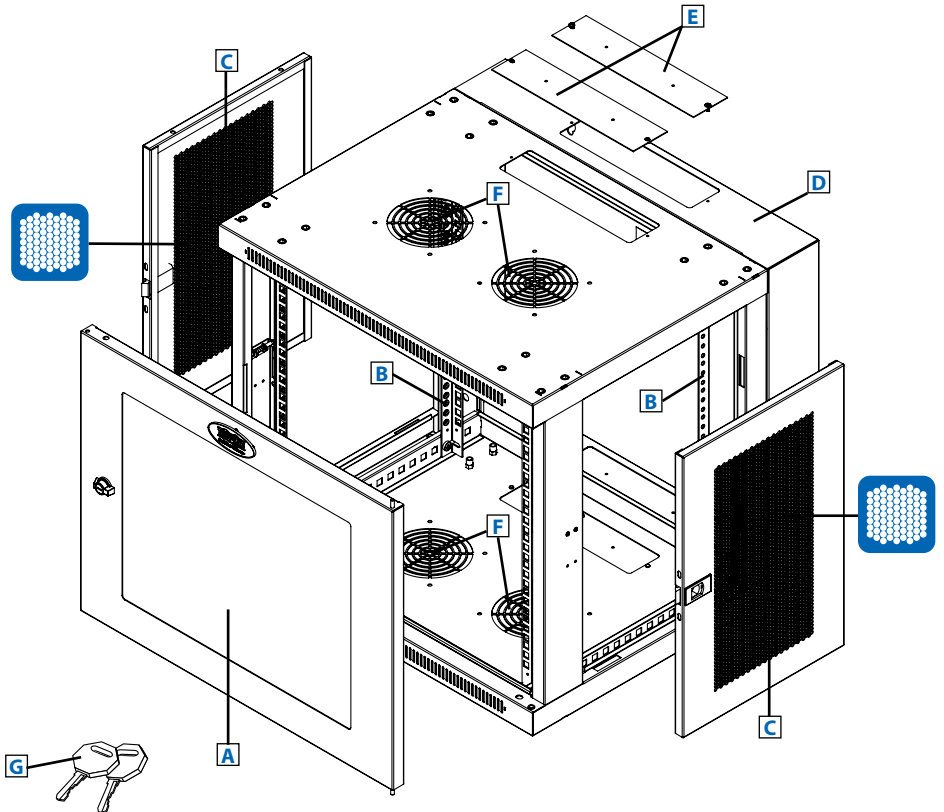
Reversible
Cabinet



Square/
Threaded Hole
Mounting

- A** Front Door with Clear Acrylic Window (Lockable/Removable/Reversible)
- B** Adjustable Mounting Rails (4) (Support square and threaded hole mounting options.)
- C** Side Panels (2) (Lockable/Removable)
- D** Hinged Wall Bracket (Lockable/Reversible. Allows the cabinet to swing away from the wall for convenient rear access to equipment and cabling.)
- E** Cable Access Port Covers (2) (Removable)
- F** Ventilation Fan Ports (4) (Support optional SRFANWM fan kit.)
- G** Keys (2)

Also Includes: Owner's manual, cabinet ground screw, pre-installed front door ground wire and rackmount equipment mounting hardware (24 cage nuts, 24 mounting screws, 24 nylon cup washers).



- Wall-mount enclosures provide convenient, locking storage for rackmount IT devices and other equipment that should be off the floor, out of the way and secure
- The cabinet is fully reversible, allowing installers to change door hinges from left to right by simply rotating the unit 180 degrees before mounting
- Hinged wall bracket allows cabinet to swing away from the wall for convenient access to equipment and cabling
- Front door shatter-resistant clear acrylic window allows for easier equipment readouts without unlocking the enclosure

SEE NEXT PAGE FOR DETAILED UNIT MEASUREMENTS



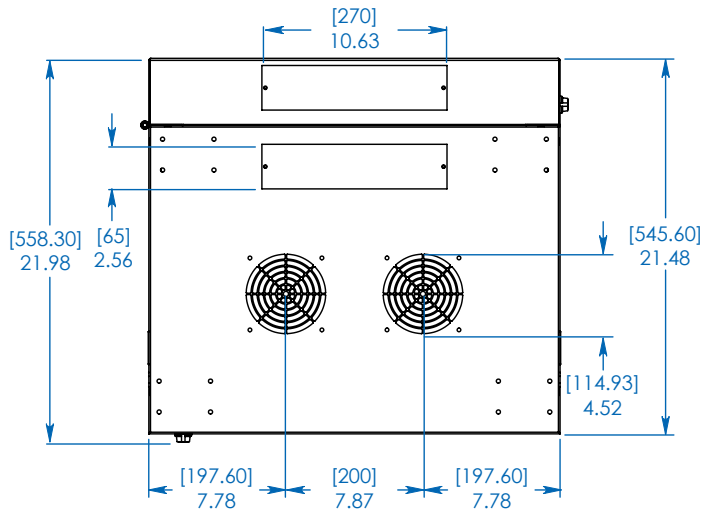
1111 W. 35th Street
Chicago, IL 60609 USA
773.869.1234
www.tripplite.com

Specifications

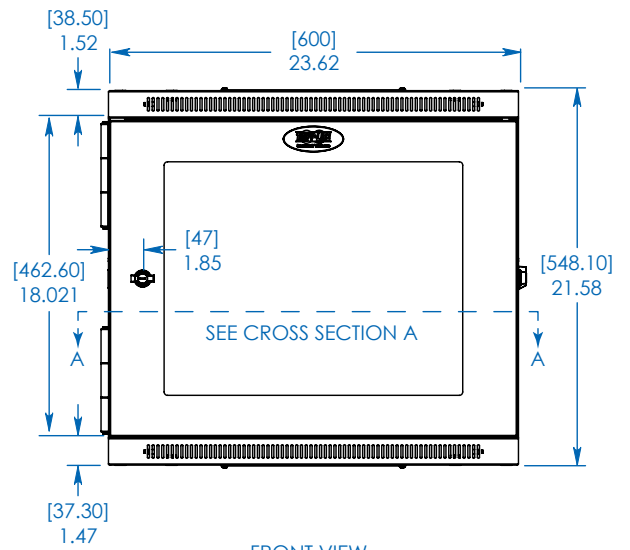
Model	SRW10USG
Rack Spaces	10U
Equipment Mounting Depth	Up to 20.5 in. / 521 mm
Load Rating*	200 lb. / 90.7 kg
Unit Dimensions (H x W x D)	21.58 x 23.62 x 21.5 in. / 548 x 600 x 546 mm
Shipping Dimensions (H x W x D)	24.25 x 26.38 x 24.13 in. / 616 x 670 x 613 mm
Unit Weight	53.4 lb. / 24 kg
Shipping Weight	59.2 lb. / 27 kg
Standards	Meets EIA-310-E, NOM, RoHS, PCI-DSS, IEC 60297-3-100 and DIN 41494 standards; IP20 Protection Rating

* The load rating includes the combined weight of the unit and installed equipment. The unit must be mounted to a stable surface with user-supplied anchors capable of bearing the full load.

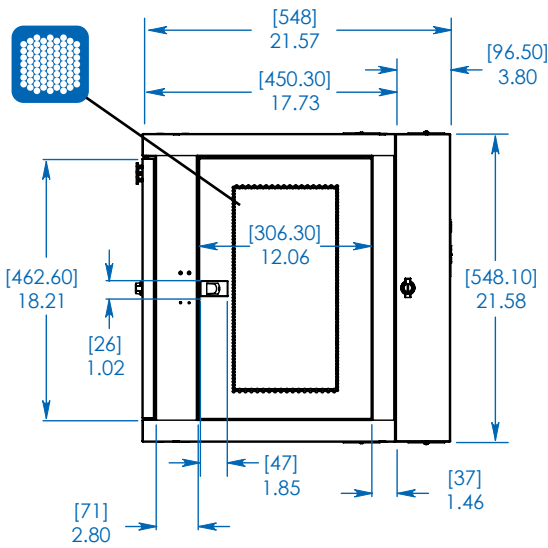




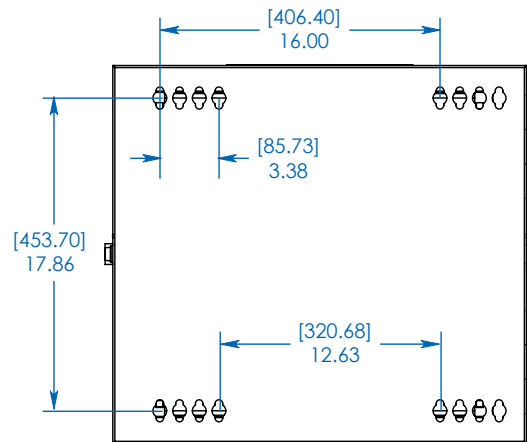
TOP/BOTTOM VIEW



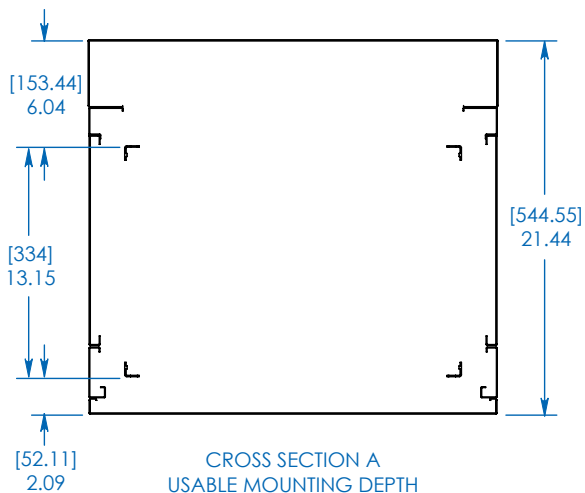
FRONT VIEW



SIDE VIEW



REAR VIEW



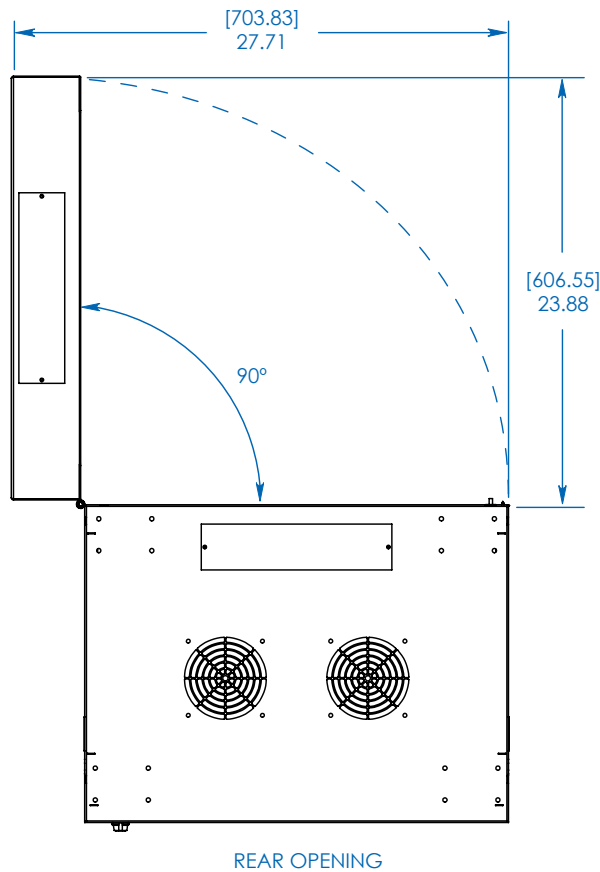
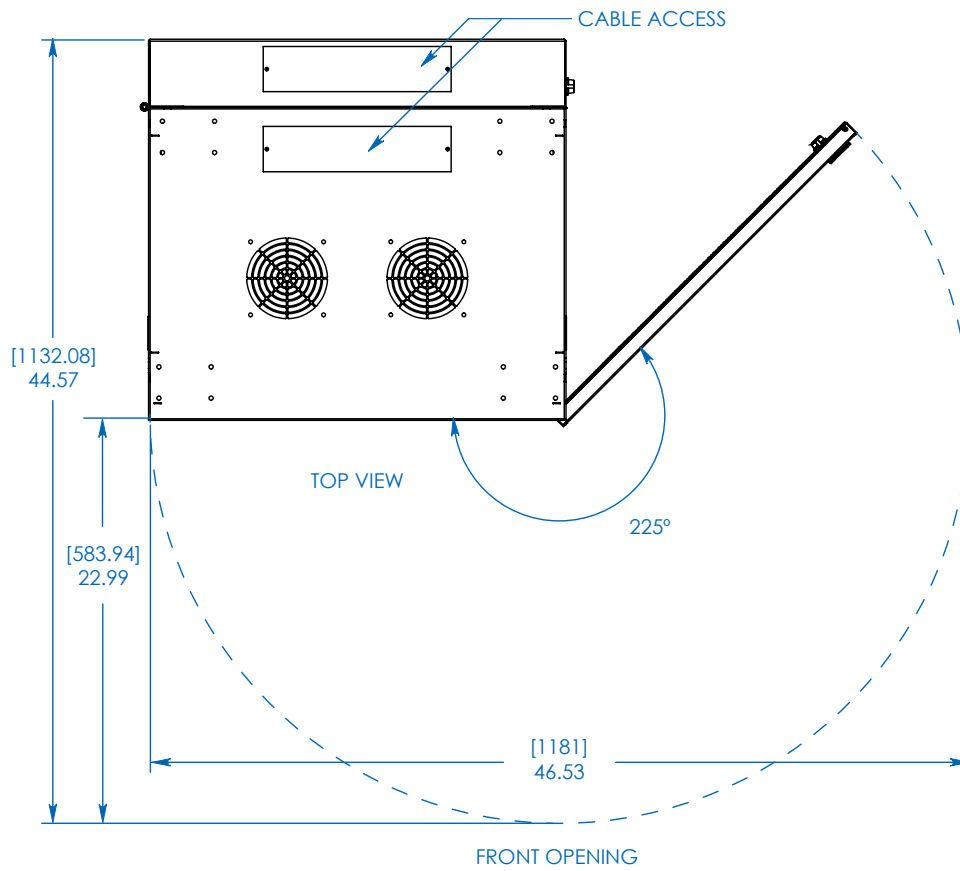
CROSS SECTION A
USABLE MOUNTING DEPTH

MODEL:
SRW10USG



Dimensions: [mm] INCHES

Tripp Lite has a policy of continuous improvement. Specifications are subject to change without notice.



Dimensions: [mm] INCHES

Tripp Lite has a policy of continuous improvement. Specifications are subject to change without notice.

MODEL:
SRW10USG

TRIPP·LITE

1111 W. 35th Street
Chicago, IL 60609 USA
773.869.1234
www.tripplite.com