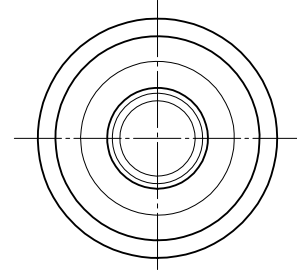
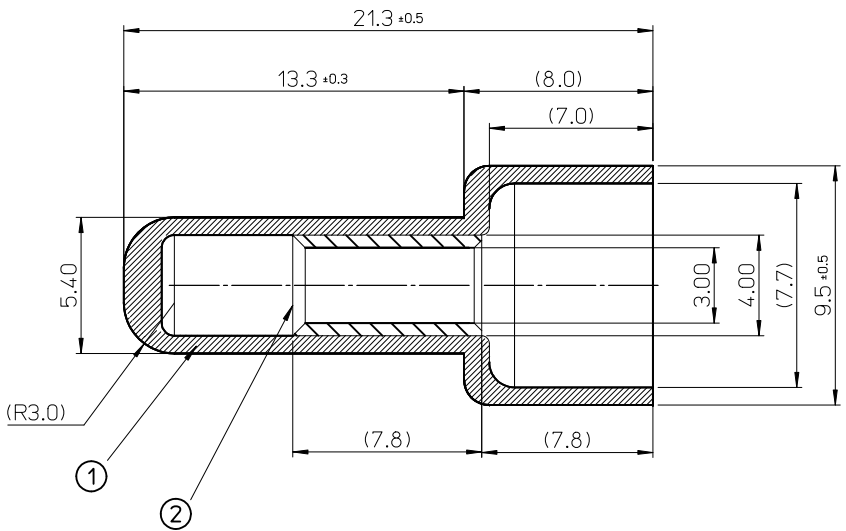


WIRE SIZE (AWG. NO.)				
22	20	18	16	14
			1	1
		1		1
		2		1
	1	1		1
	2	1		1
1		1		1
2		1		1
3		1		1
	1			1
	2			1
	3			1
1			3	1
			2	
		1	2	
		2	2	
	1		2	
	2		2	
1			2	
2			2	
1	3	1		
1	4			
3			2	
	1	1	2	
1		1	2	
1			2	
2			2	
		1	1	
		2	1	
		3	1	
		4	1	
			1	
1			1	
2			1	
3			1	
4			1	
5			1	
	3	2	1	
1		2	1	
2		2	1	
1	1	1	1	
2	1	1	1	
	1	4	1	
2		4		
		4		
		3		
	1	3		
	2	3		
1		3		
2		3		
3		3		
1	1	3		



NOTE.
 1. MATERIAL : ① HOUSING : PA66
 ② INSERT : COPPER
 2. FINISH : TIN-PLATING
 3. NO FLASH

WIRE SIZE (AWG. NO.)				
22	20	18	16	14
	1	2		
	2	2		
	2	3		
1		2		
2		2		
3		2		
1	1	2		
1	2	2		
1	3	2		
2	1	2		
3	1	2		
	1	1		
	2	1		
	3	1		
	4	1		
	5	1		
1		1		
2		1		
3		1		
4		1		
5		1		
1	1	1		
1	2	1		

RELEASE EC NO: KOR2012-0024 DRWN: YRBAE CHKD: APPR: YUNSIKKIM 2011/09/26 2011/10/25	QUALITY SYMBOLS ▽=0 ◻=0	GENERAL TOLERANCES (UNLESS SPECIFIED)		DIMENSION STYLE MM ONLY		SCALE 1:1	DESIGN UNITS METRIC	THIRD ANGLE PROJECTION		
				DRAWN BY YRBAE	DATE 2011/09/26	TITLE 2.0 CLOSED END CONNECTOR				
				CHECKED BY SHCHU	DATE 2011/09/26	MOLEX INCORPORATED				
				APPROVED BY YUNSIKKIM	DATE 2011/10/25	MATERIAL NO. 352142010	DOCUMENT NO. SD-35214-001	SHEET NO. 1 OF 1		
DRAFT WHERE APPLICABLE MUST REMAIN WITHIN DIMENSIONS		THIS DRAWING CONTAINS INFORMATION THAT IS PROPRIETARY TO MOLEX INCORPORATED AND SHOULD NOT BE USED WITHOUT WRITTEN PERMISSION								