

## DETAILS

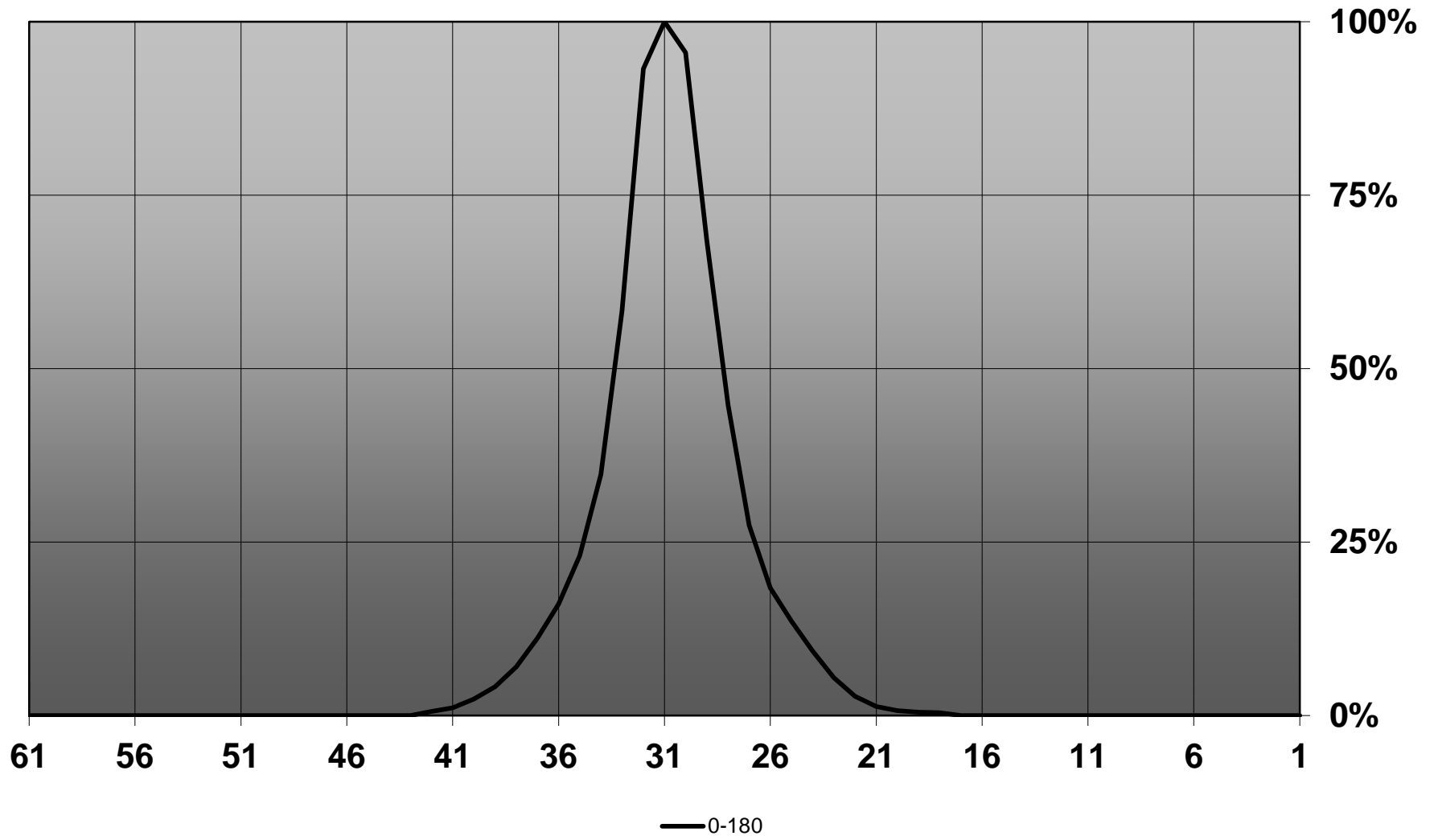
<b>Product Number</b>	F12916_CRYSTAL-RS
<b>Family</b>	Crystal
<b>Type</b>	Lens
<b>Color</b>	clear
<b>Diameter</b>	46,8 mm
<b>Height</b>	27,4 mm
<b>Style</b>	round
<b>Optic Material</b>	PMMA
<b>Holder Material</b>	
<b>Fastening</b>	
<b>Status</b>	production ready
<b>ROHS Compliant</b>	Yes
<b>Date Updated</b>	1/12/2016

## OPTICAL PROPERTIES

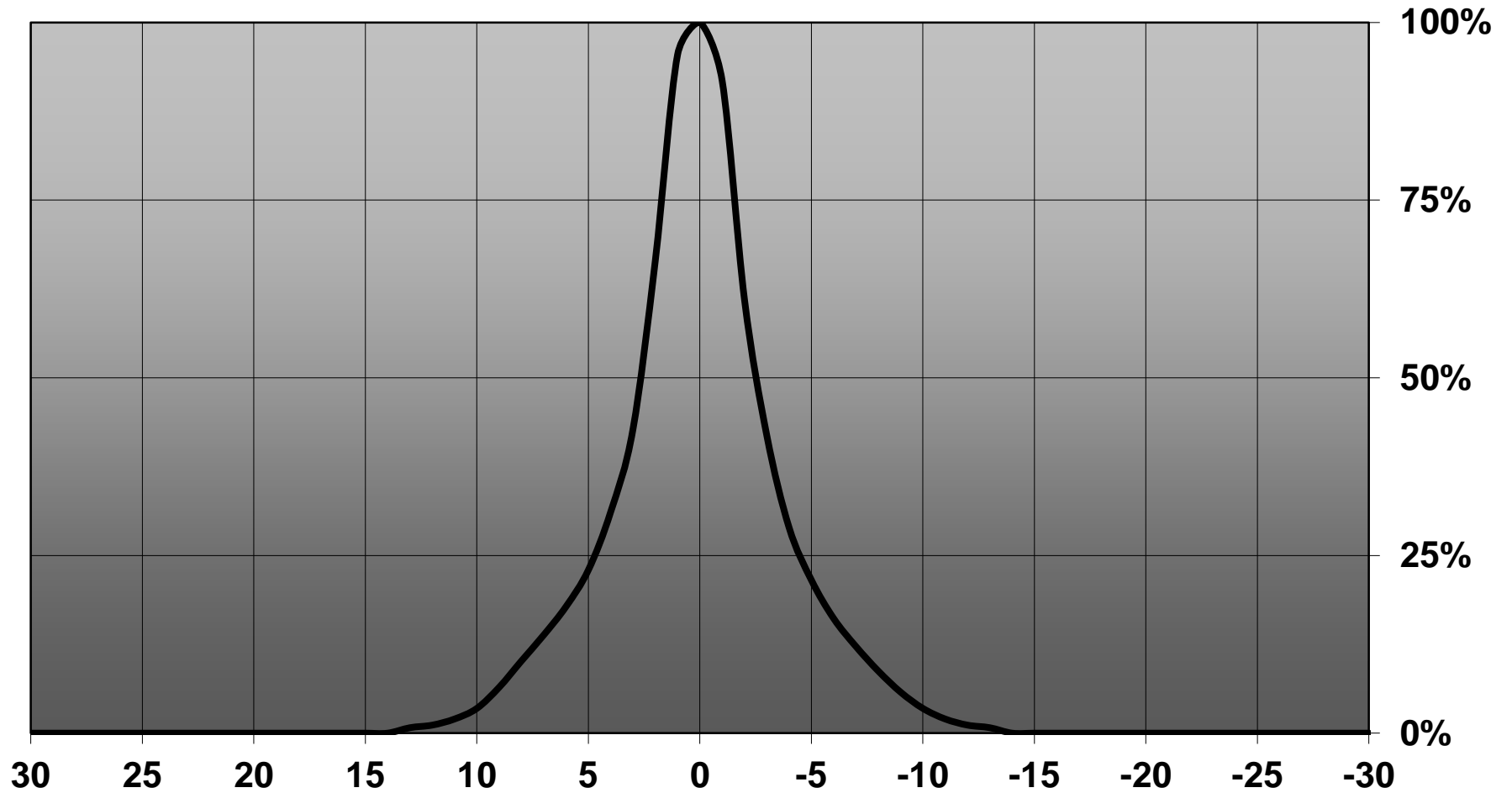
LED	Viewing Angle	Light Beam	Efficiency	cd/lm	Connector
XP-E	3.3 deg	Real spot	93 %	106.000	-
XP-G	4.9 deg	Real spot	89 %	68.290	-
LUXEON A	5.1 deg	Real spot	89 %	58.900	-
NVSxx19B/NVSxx19C	5.3 deg	Real spot	89 %	42.500	-
LH351Z	4.4 deg	Real spot	90 %	77.000	-
LH351B	5.3 deg	Real spot	90 %	57.030	-



Relative intensity of CN13552\_CRYSTAL-RS\_(Luxeon\_A)

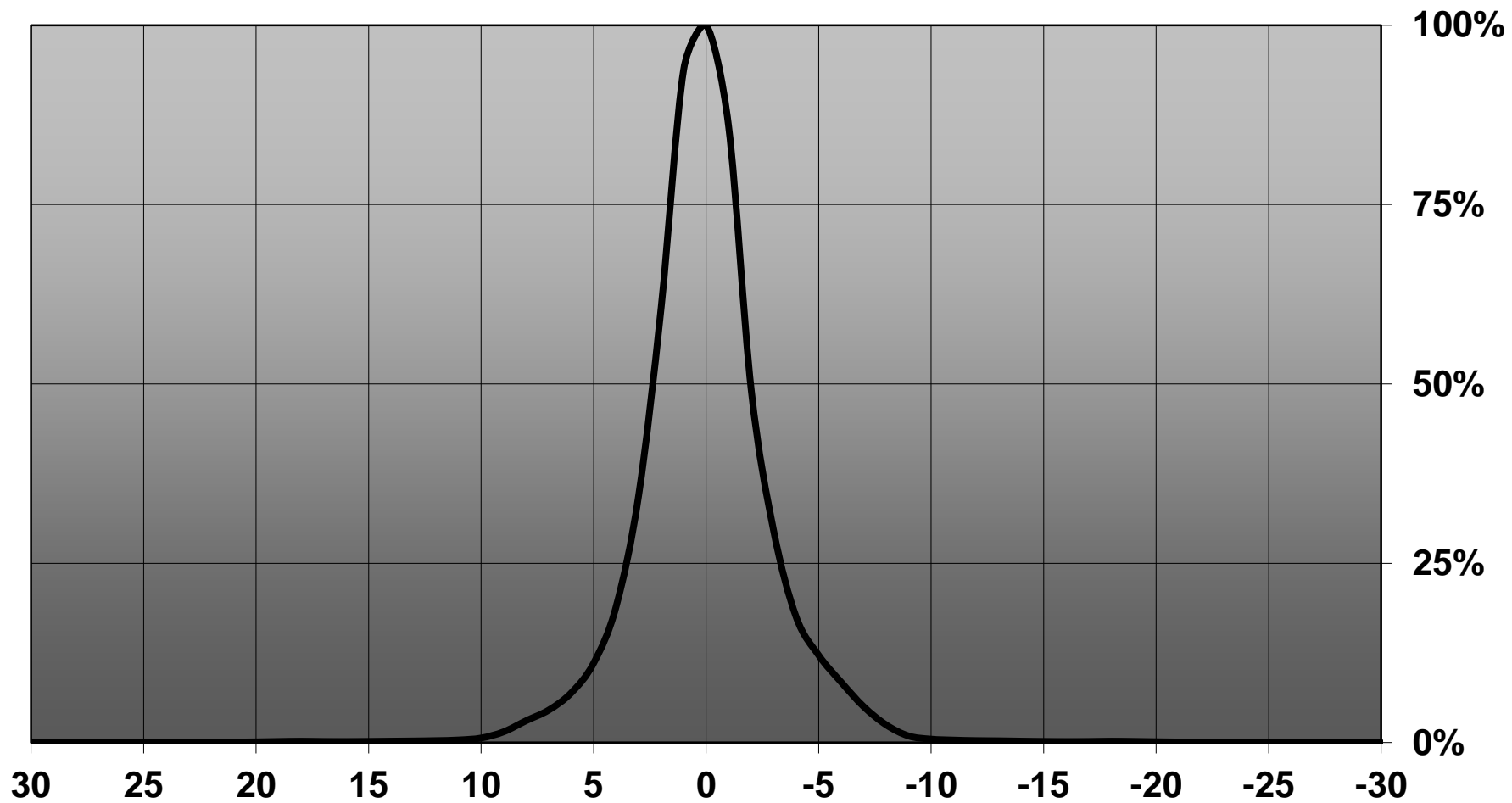


Relative intensity of CN13552\_CRYSTAL-RS\_(NVSxx19B)



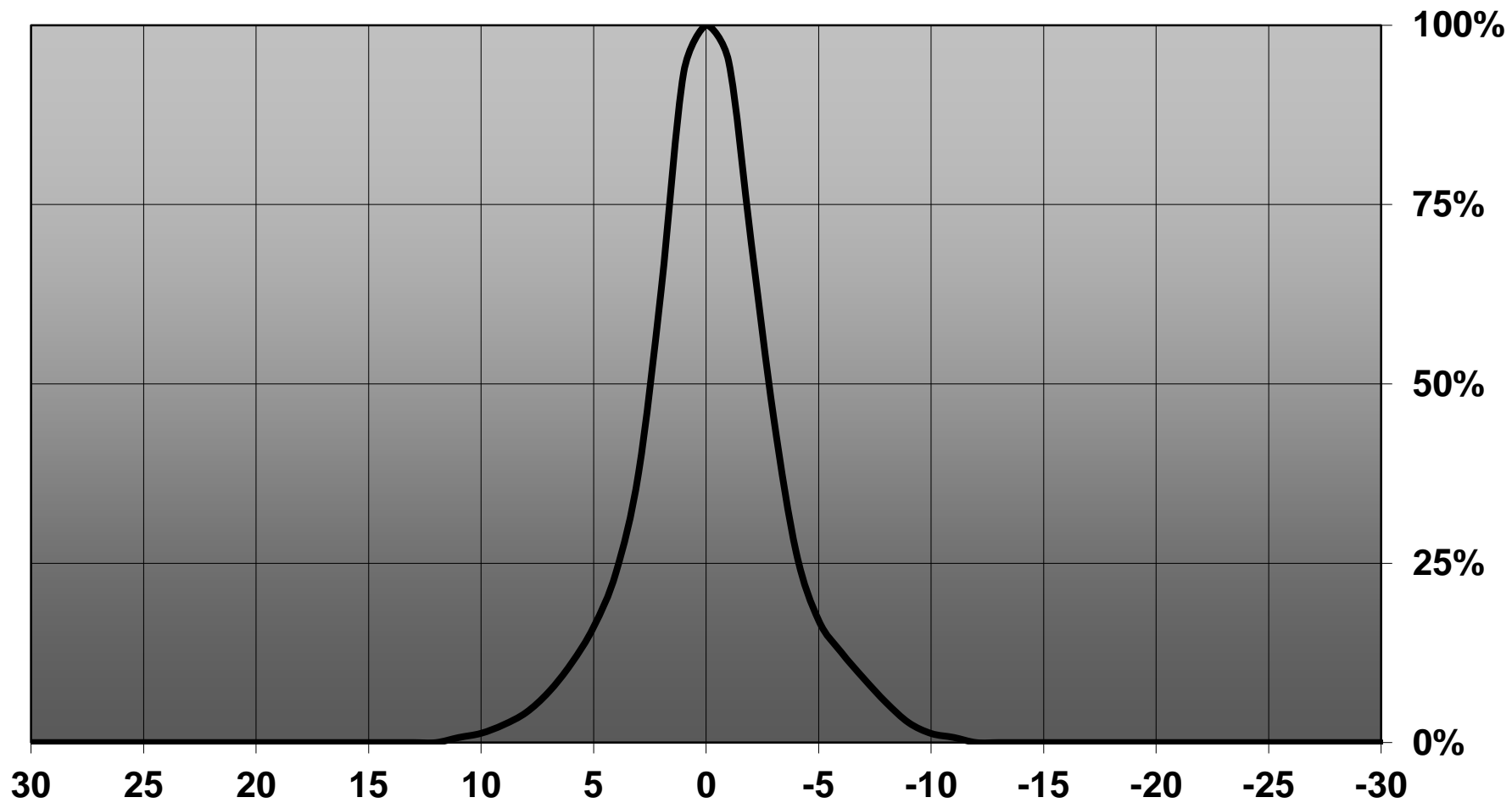
—1

# Relative intensity of C12916\_CRYSTAL-RS\_(LH351Z)



— 1: 0-180

Relative intensity of C12916\_CRYSTAL-RS\_(LH351B)

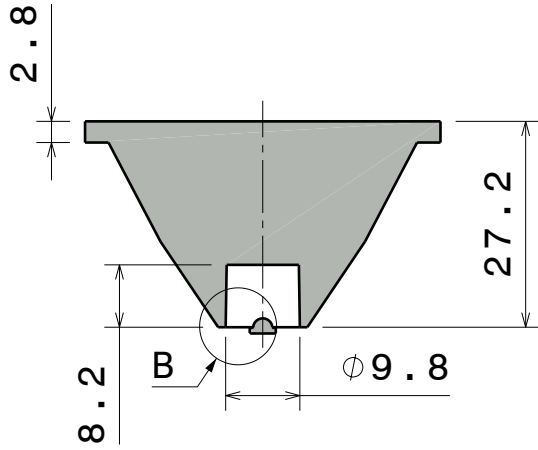


D

C

B

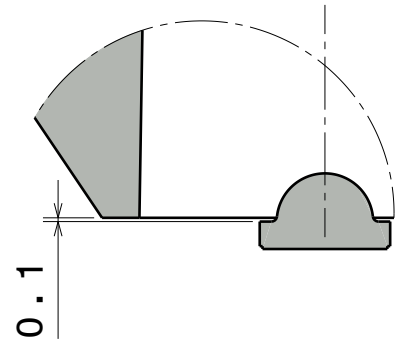
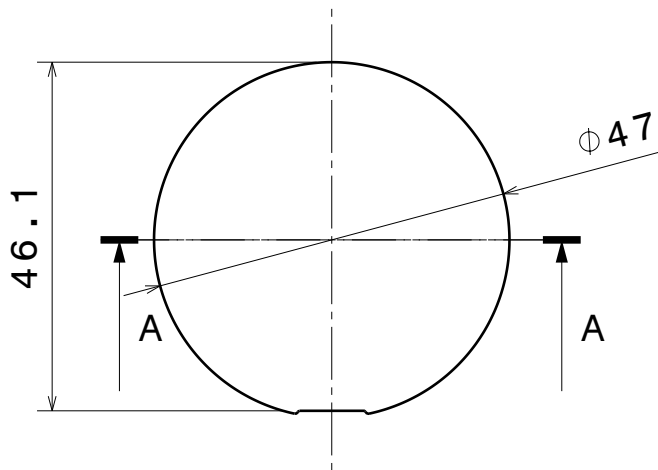
A



Section view A-A  
Scale: 1:1



Isometric view  
Scale: 1:1

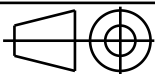


Detail B  
Scale: 5:1

Tolerances if not otherwise shown  
According to DIN ISO 2768-1  
Linear measures: class C  
According to DIN ISO 2768-2  
Form and position: class L

**LEDiL** Ledil Oy  
Salorankatu 10  
FIN 24240 SALO  
Finland

THIRD ANGLE PROJECTION:



DRAWING TITLE

CRYSTAL\_MechDrawing

This drawing is the property  
of LEDiL Oy. It may not be  
reproduced, copied or  
communicated without a written  
agreement with LEDiL Oy.

SIZE PART NUMBER

A4

-

SCALE 1:1 WEIGHT

-

SHEET 1/1

D

A

**NOTE: The typical divergence will be changed by different color, chip size and chip position tolerance. The typical total divergence is the full angle measured where the luminous intensity is half of the peak value.**