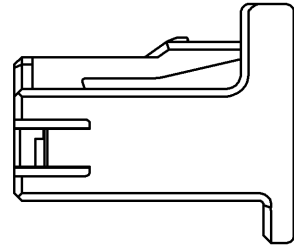
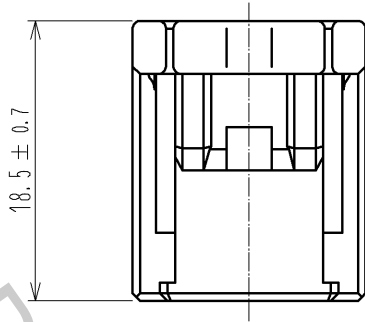
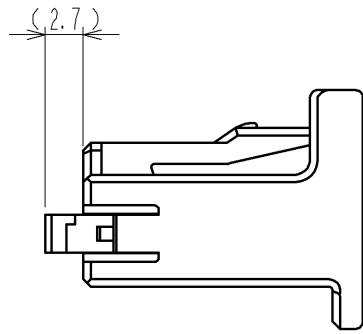
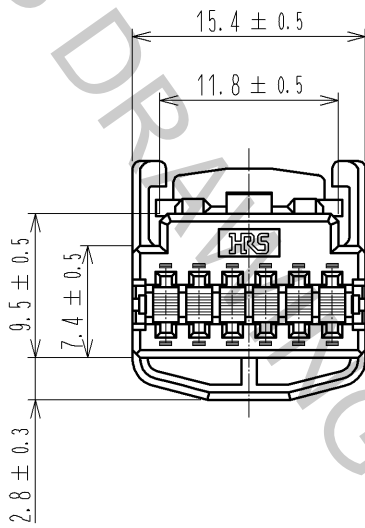


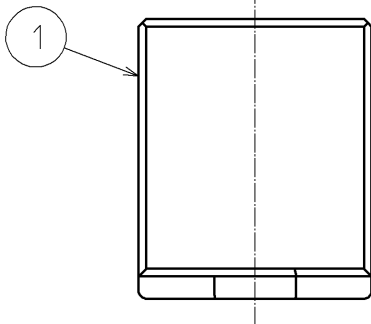
ELV, RoHS COMPLIANT



RETAINER FIXED



RETAINER PRESET



NOTE1. Use this product with retainer preset.  
Retainer product No. : CL775-0041-8

1	PBT	BLACK, UL94V-0							
NO.	MATERIAL	FINISH	REMARKS	NO.	MATERIAL	FINISH	REMARKS		
UNITS mm			SCALE 2 : 1		DESCRIPTION OF REVISIONS		DESIGNED	CHECKED	DATE
HIROSE ELECTRIC CO., LTD.			APPROVED : AR. SHIRAI	11.12.20	DRAWING NO.		EDC4-168735-00		
			CHECKED : TY. TAKAHASHI	11.12.20	PART NO.		GT25-12DS-HU		
			DESIGNED : TY. SAKASHITA	11.12.20	CODE NO.		CL775-0037-0-00		
			DRAWN : TY. SAKASHITA	11.12.20					