



# PRODUCT DATASHEET

## Lisa series

last update 15/4/2016

### DETAILS

<b>Product Number</b>	FP11047_LISA2-RS-PIN
<b>Family</b>	Lisa
<b>Type</b>	Assembly
<b>Color</b>	black
<b>Diameter</b>	9,9 mm
<b>Height</b>	6,6 mm
<b>Style</b>	round
<b>Optic Material</b>	PMMA
<b>Holder Material</b>	
<b>Fastening</b>	glue, pin
<b>Status</b>	production ready
<b>ROHS Compliant</b>	Yes
<b>Date Updated</b>	15/04/2016



### OPTICAL PROPERTIES

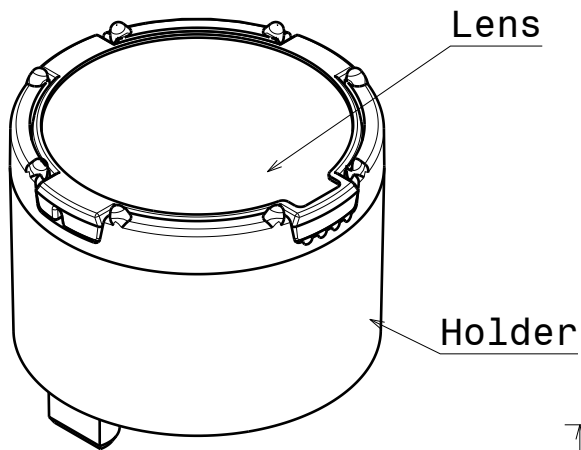
LED	Viewing	Light	Effi-		
	Angle	Beam	ciency	cd/lm	Connector
Oslon SSL 80	16 deg	Real spot	89 %	-	-
Oslon SSL 150	16 deg	Real spot	92 %	-	-
SFH 4770S	sim: 18	Real spot	sim: 93 %	-	-
Synios P2720 1 mm	sim: 13	Real spot	sim: 92 %	sim: 9.650	-

D

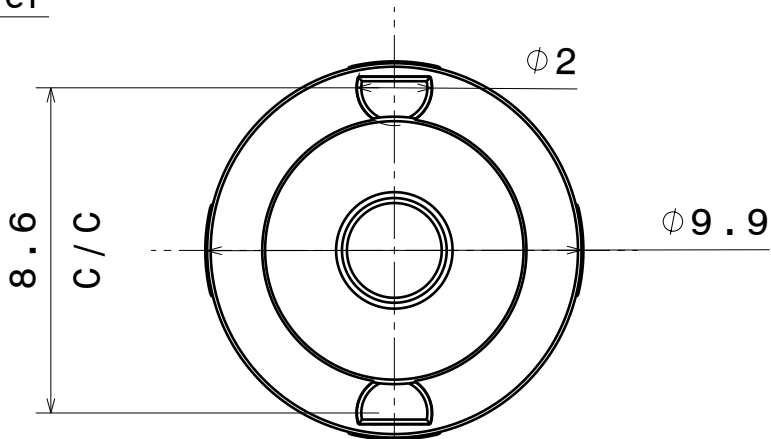
C

B

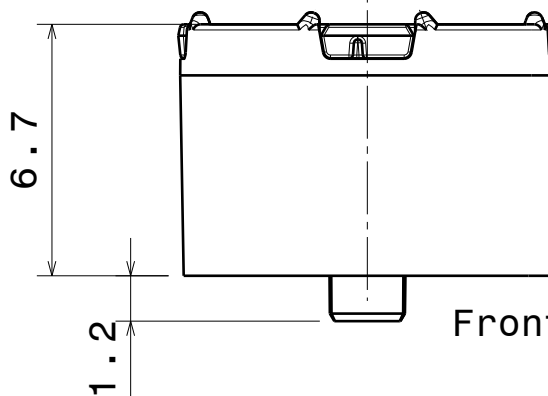
A



Isometric view  
Scale: 5:1



Bottom view



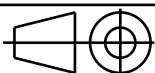
Front view

Tolerances if not otherwise shown  
According to DIN ISO 2768-1  
Linear measures:  
Up to 30mm class M, otherwise class C.  
According to DIN ISO 2768-2  
Form and position: class L



Ledil Oy  
Salorankatu 10  
FIN 24240 SALO  
Finland

THIRD ANGLE PROJECTION:



DRAWING TITLE

FP11047\_LISA2-RS-PIN

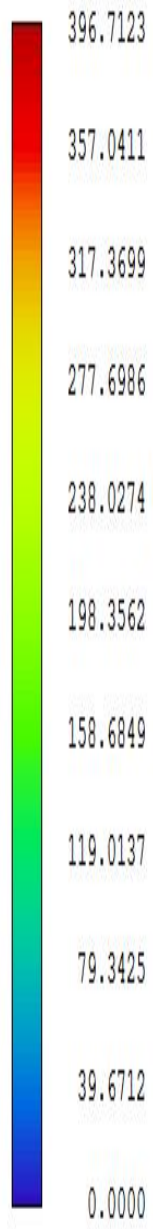
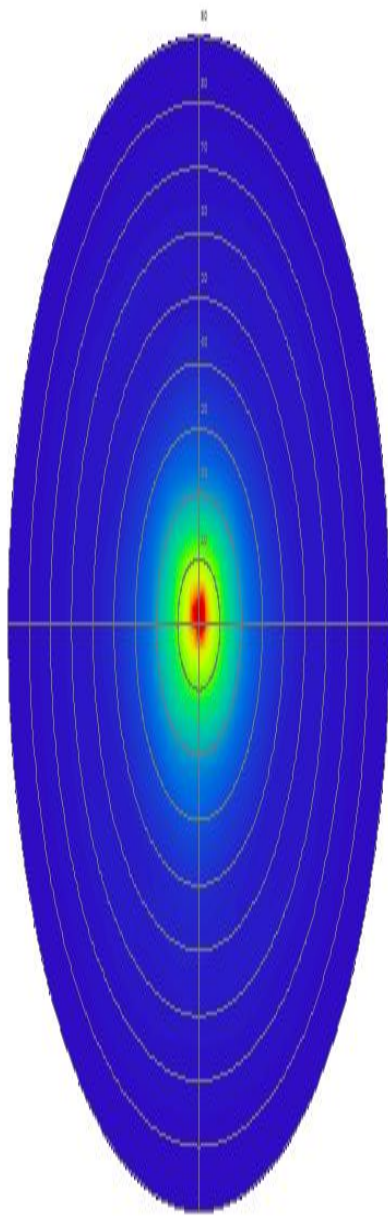
This drawing is the property  
of LEDiL Oy. It may not be  
reproduced, copied or  
communicated without a written  
agreement with LEDiL Oy."

SIZE	PART NUMBER
A4	FP11047

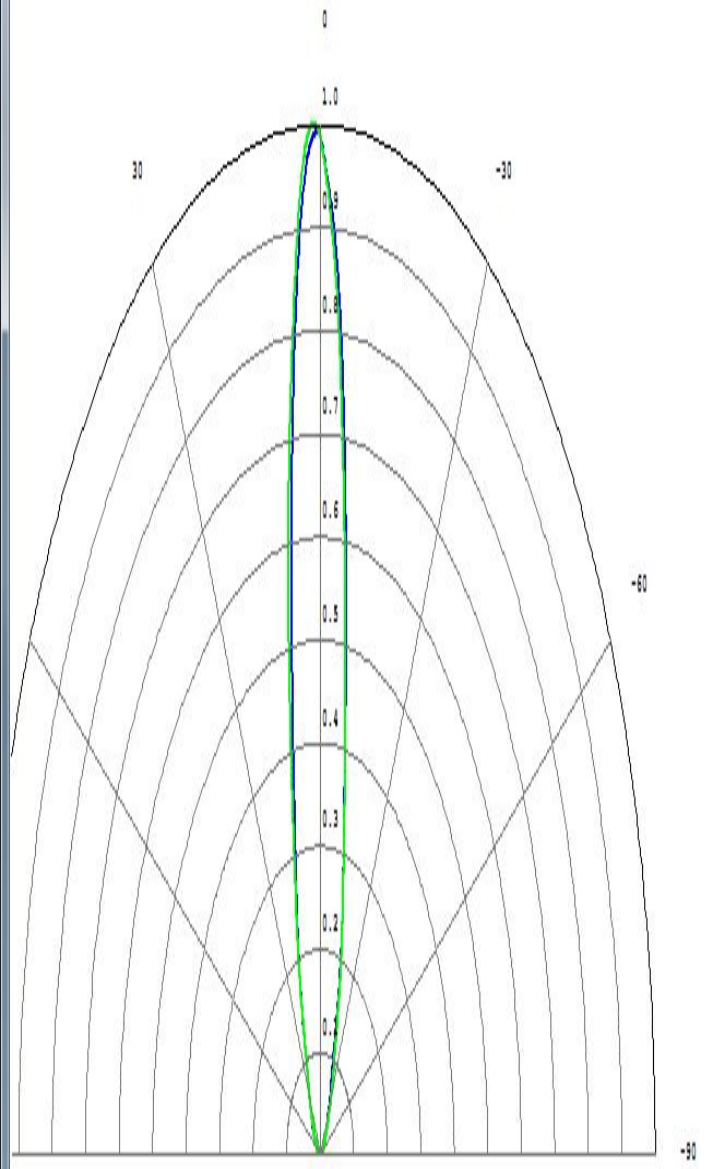
SCALE	5:1	WEIGHT	-	SHEET	1/1
-------	-----	--------	---	-------	-----

D

A



Detector Image: Radiant Intensity



Angles: 0 90

Detector Image: Radiant Intensity

**NOTE: The typical divergence will be changed by different color, chip size and chip position tolerance. The typical total divergence is the full angle measured where the luminous intensity is half of the peak value.**