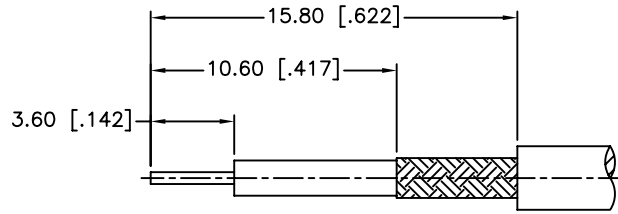
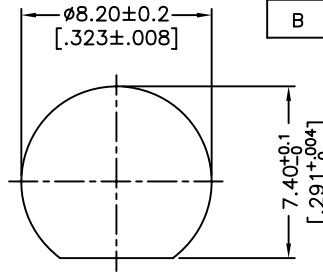


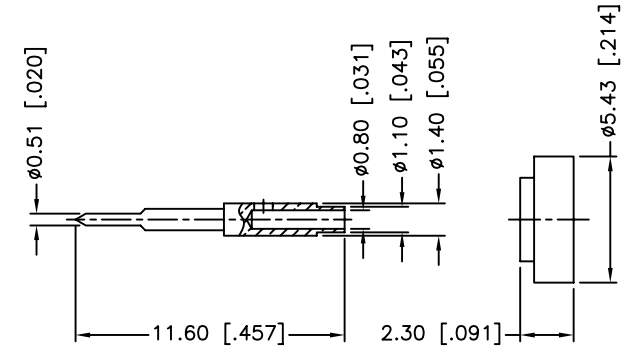
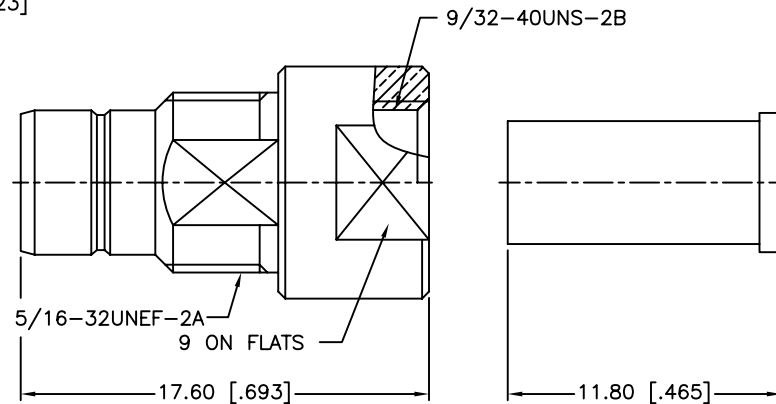
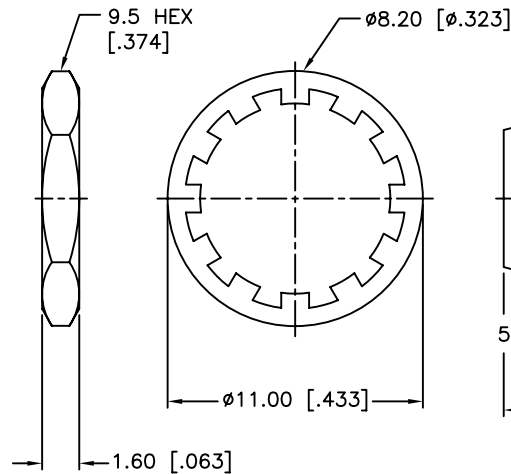
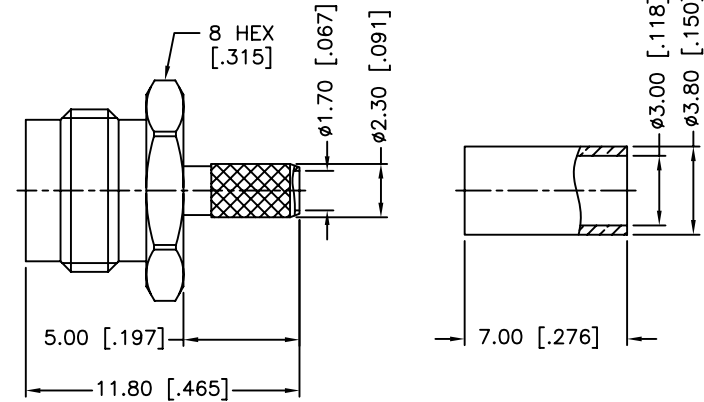
REV.	DATE	ECR NO.	DESCRIPTION
NC	04/05/00	XXXXXX	INITIAL RELEASE
A	06/14/00	XXXXXX	CHANGE PLATING TO GOLD
B	11/07/12	2404	UPDATE DRAWING FORMAT



RECOMMENDED  
CABLE STRIPPING DIM'S



RECOMMENDED  
MOUNTING HOLE



1. IMPEDANCE: 75 OHM
2. FREQUENCY RANGE: DC 0-4 GHz
3. VSWR(RETURN LOSS): 1.3, MAX.
4. INSERTION LOSS: 0.3 dB, MAX.
5. DIELECTRIC WITHSTANDING VOLTAGE: 900 VRMS, MIN.
6. DURABILITY: 500 CYCLES MIN.
7. TEMPERATURE RANGE: -55°C TO +165°C
8. CRIMPED FERRULE  
HEX CRIMP SIZE .128"
9. CONTACT PIN TO SOLDER
10. MAX. PANEL THICKNESS=2.4mm

QTY	FINISH	MATERIAL	DESCRIPTION
1	GOLD	BRASS	BODY
1	NATURAL	PTFE	INSULATOR
1	GOLD	BRASS	CONTACT PIN
1	NATURAL	PTFE	INSULATOR
1	GOLD	BRASS	BARREL
1	GOLD	COPPER	FERRULE
1	GOLD	BRASS	LOCK WASHER
1	GOLD	BRASS	HEX NUT

UNLESS OTHERWISE SPECIFIED DIMENSIONS ARE IN MILLIMETERS. DIMENSIONS IN ( ) ARE IN INCHES AND FOR CUSTOMER REFERENCE ONLY.

UNLESS OTHERWISE SPECIFIED TOLERANCES FOR MILLIMETERS ARE:  
0.5 - 8mm ± 0.20mm  
8 - 30mm ± 0.40mm  
30 - 120mm ± 0.50mm

UNLESS OTHERWISE SPECIFIED TOLERANCES FOR INCHES ARE:  
.020 - .315 = ± 0.007"  
.315 - 1.180 = ± 0.015"  
1.180 - 4.724 = ± 0.020"

DO NOT SCALE DRAWING

APPROVALS	DATE
DRAWN M.ZHANG	11/07/12
CHECKED	
ISSUED	
SHEET 1 OF 1	
CAD FILE C:/CONNEX/142111.DWG	

<b>Amphenol Connex</b>			
PART DESCRIPTION <b>SMZ BULKHEAD CRIMP JACK (FOR RG-179/U, 187A/U CABLE)</b>			
PART NO. <b>142111</b>			
DWG. NO.	142111.DWG	REV.	B
SIZE	A	SCALE	NA