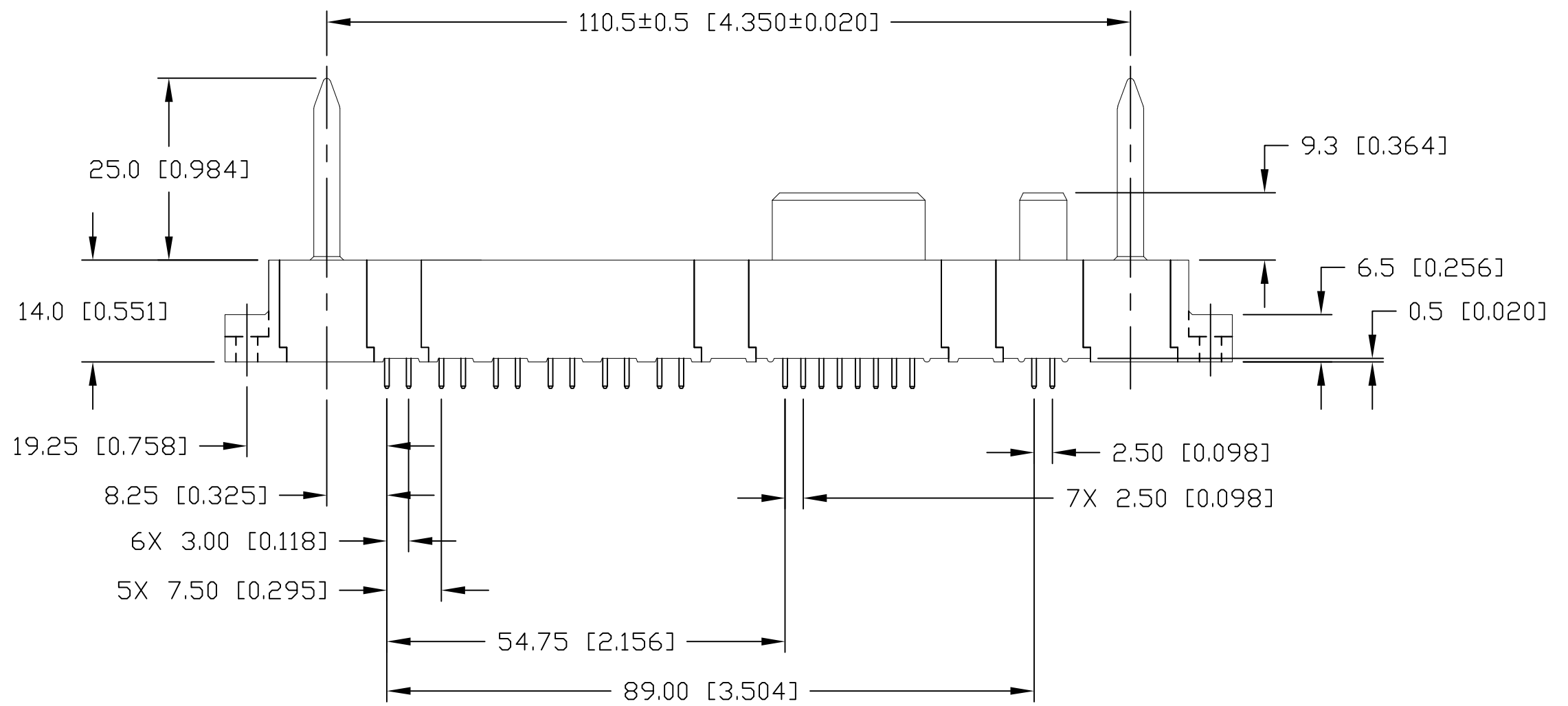
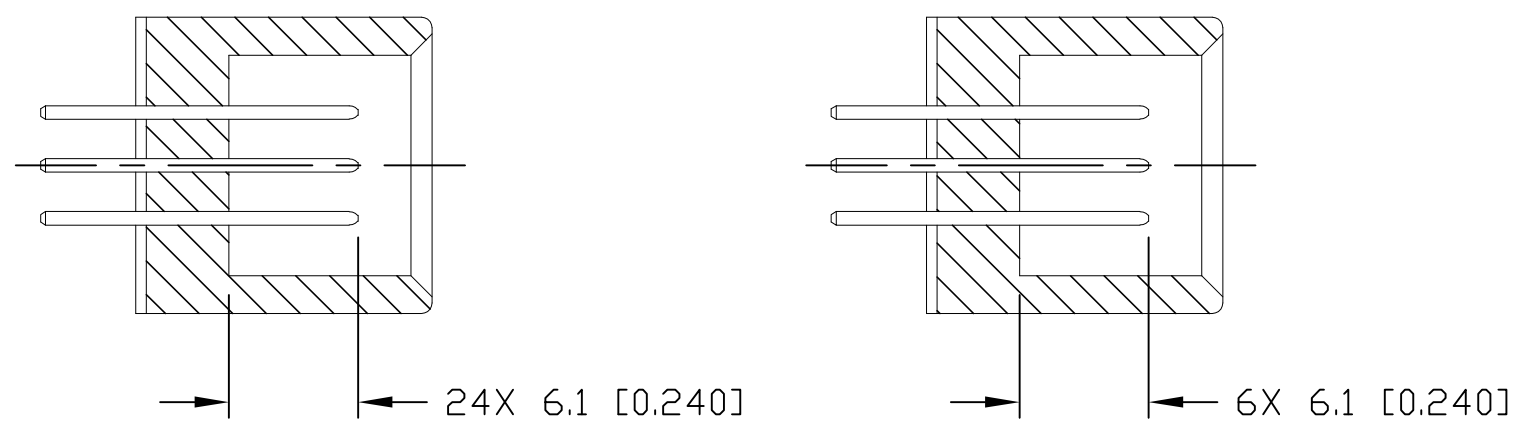
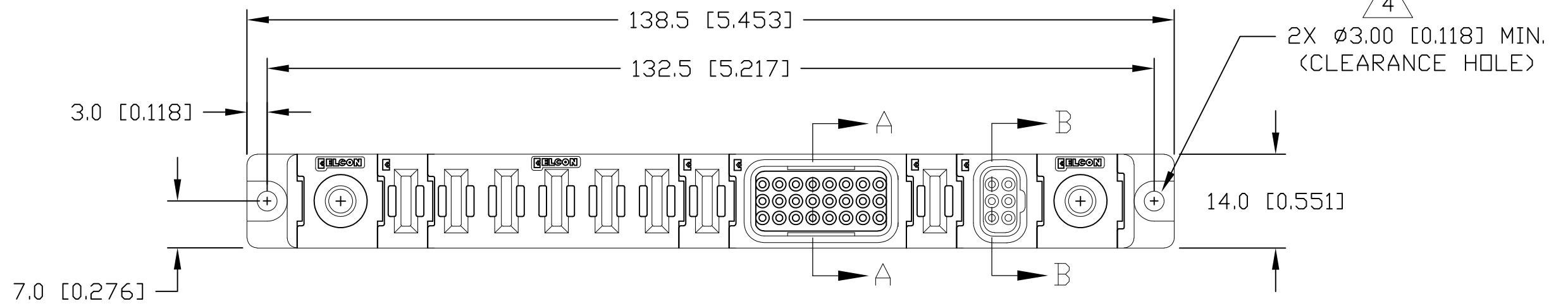
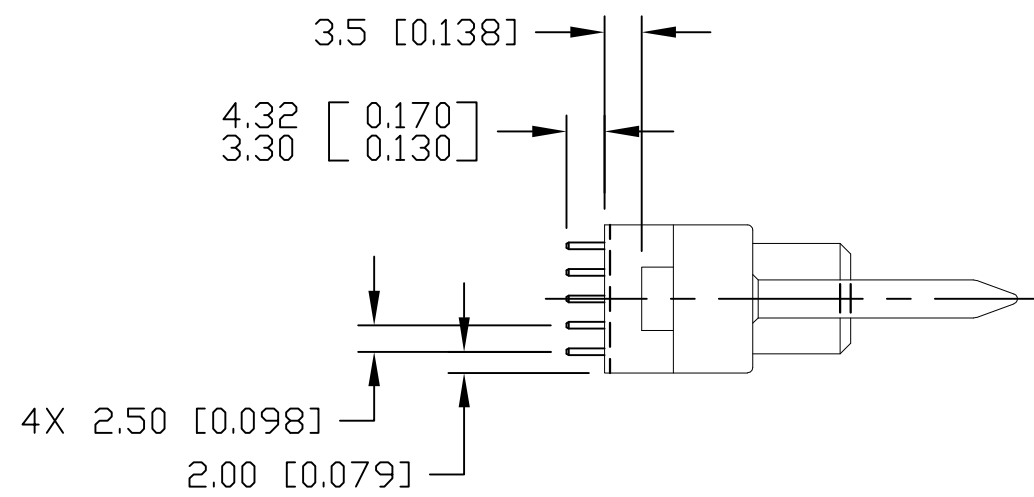


THIS DRAWING IS UNPUBLISHED. RELEASED FOR PUBLICATION
 © COPYRIGHT BY TYCO ELECTRONICS CORPORATION. ALL RIGHTS RESERVED.

LOC	DIST	REVISIONS					
GP	00	P	LTR	DESCRIPTION	DATE	DWN	APVD
		A		NEW RELEASE	24MAY07	RG	PD



SECTION A-A SECTION B-B
 GENDER CHANGER NOT SHOWN FOR CLARITY

- PART NUMBER CHANGES AND OR DESIGN CHANGES AFFECTING ITEM INTERCHANGEABILITY REQUIRE PRIOR TYCO ELECTRONICS APPROVAL AND AUTHORIZATION BY REVISION TO THIS DRAWING.
- MATERIALS:
 INSULATORS: THERMOPLASTIC, GLASS REINFORCED, COLOR BLACK, UL94V-0 FLAMMABILITY RATED.
 SOLDER SIGNAL PIN: BRASS ALLOY.
 POWER CONTACTS: PHOSPHOR BRONZE ALLOY, COPPER ALLOY.
 CROWN BANDS: BERYLLIUM COPPER ALLOY.
 GUIDE PIN: BRASS COPPER ALLOY.
- FINISHES:
 CONTACTS: GOLD PLATED 0.76µm MIN THK. OVER NICKEL
 1.27µm MIN. THK.
 SOLDER TAILS, TIN PLATED 3.05µm MIN THK. OVER NICKEL
 1.27µm MIN. THK.
 GUIDE PIN: NICKEL PLATED 1.27µm THK.

4 MOUNTING FLANGES ACCEPT M3 OR #4-40 SCREWS, (USER SUPPLIED)

5. ITEMS PROVIDED TO THIS SPECIFICATION TO BE PERMANENTLY IDENTIFIED PER THE FOLLOWING IDENTIFIER:

YEAR WEEK

TYCO ELECTRONICS P/N DATE CODE (e.g. 0413)
 XXXXXXXX-X XXXX

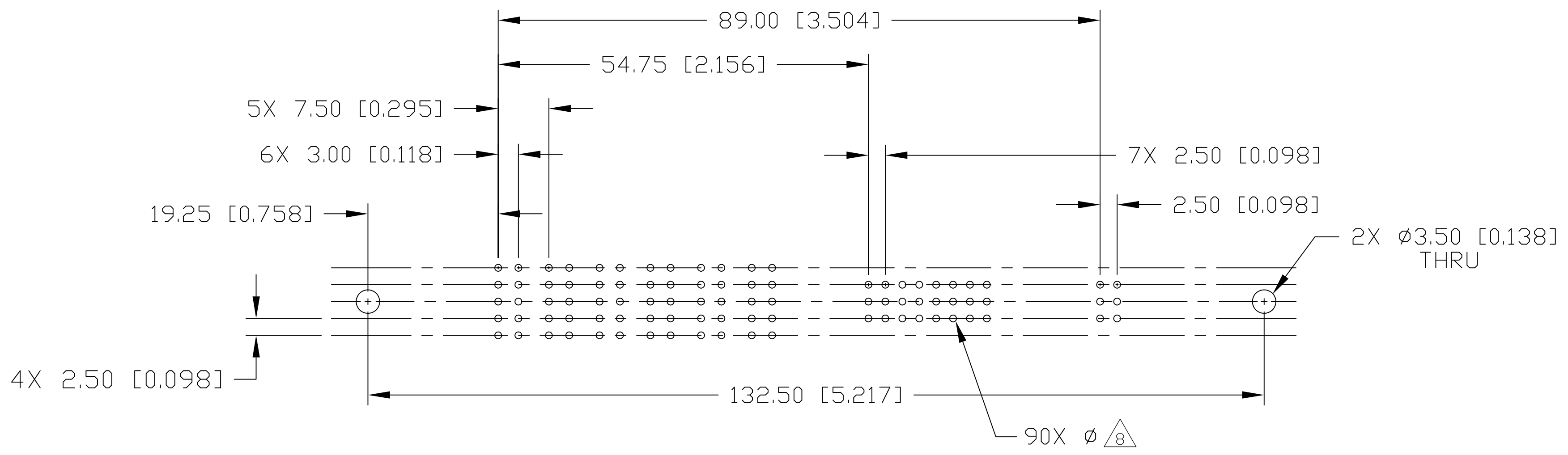
6. THIS CONNECTOR MATES WITH PIN CONNECTOR PN 6651981-1

AS SHOWN	6651982-1
DESCRIPTION	PART NUMBER

THIS DRAWING IS A CONTROLLED DOCUMENT.		DWN	24MAY2007	Tyco Electronics Corporation	
DIMENSIONS: mm		CHK	24MAY07	Harrisburg, PA 17105-3608	
TOLERANCES UNLESS OTHERWISE SPECIFIED:		APVD	24MAY07	NAME	
0 PLC ± -		S.FLICKINGER		SOCKET CONNECTOR	
1 PLC ± .5 [0.02]		PRODUCT SPEC		STRAIGHT, SOLDER TAILS	
2 PLC ± .25 [0.010]		APPLICATION SPEC		FLATPAQ	
3 PLC ± -		SIZE	CAGE CODE	DRAWING NO	RESTRICTED TO
4 PLC ± -		A2	00779	C=6651982	-
ANGLES ± .5		WEIGHT		SCALE	
FINISH		CUSTOMER DRAWING		3:1 SHEET 1 of 3 REV A	

THIS DRAWING IS UNPUBLISHED. RELEASED FOR PUBLICATION
 © COPYRIGHT BY TYCO ELECTRONICS CORPORATION. ALL RIGHTS RESERVED.

LOC	DIST	REVISIONS			
P	LTR	DESCRIPTION	DATE	DWN	APVD
GP	00	SEE SHEET 1	-	-	-



PRINTED CIRCUIT LAYOUT

CONNECTOR	CATALOG MODULE #	QTY	SIZE NO.	CONTACT QTY	MATING PIN	MAX. CURRENT (PER CONTACT)	CONTACT SPACING	VOLTAGE RATING*
SOCKET	FP100	6	8	6	1.25 X 7.00 [.049 X .276]	35 AMPERES	7.50 [2.953]	250 VOLTS
	FP301	1	22	24	.64 [0.025] SQ.	3 AMPERES	2.50 [0.0984]	125 VOLTS
	FP313	1	22	6	.64 [0.025] SQ.	3 AMPERES	2.50 [0.0984]	125 VOLTS
	FP511	2	STRAIGHT 250V SPACER					
	FP503	2	STRAIGHT GUIDE PIN					
	FP500	1	LEFT MOUNTING FLANGE					
	FP501	1	RIGHT MOUNTING FLANGE					

THIS DRAWING IS A CONTROLLED DOCUMENT.

DWN R.GRZYBOWSKI 24MAY2007	Tyco Electronics Corporation Harrisburg, PA 17105-3608		
CHK P.DAMATO 24MAY07			
APVD S.FLICKINGER 24MAY07			
PRODUCT SPEC			
NAME		SOCKET CONNECTOR STRAIGHT, SOLDER TAILS FLATPAQ	
APPLICATION SPEC		SIZE	RESTRICTED TO
MATERIAL		CAGE CODE	
FINISH		DRAWING NO	
		WEIGHT	
		SCALE	
		SHEET	
		REV	

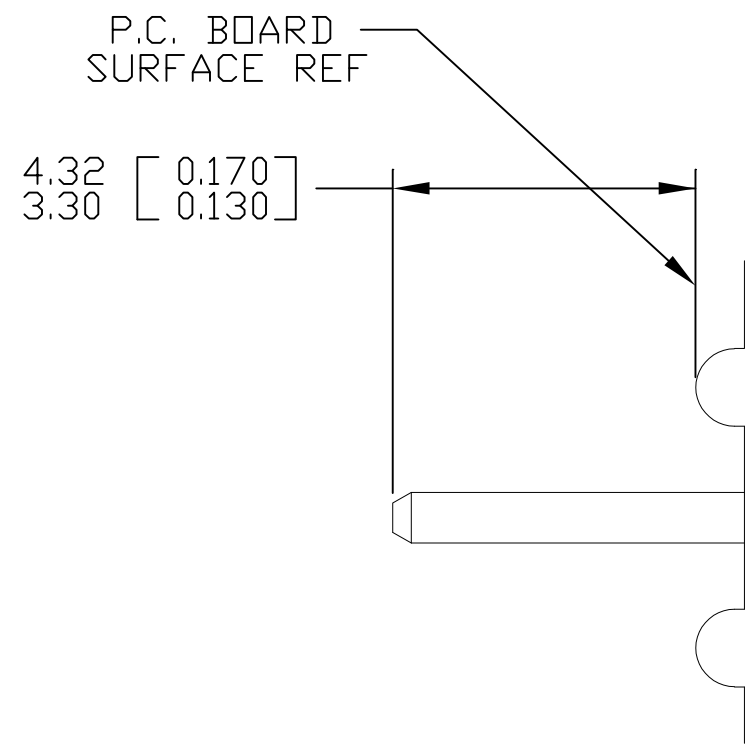
A2 00779 C-6651982

CUSTOMER DRAWING SCALE 3:1 SHEET 2 OF 3 REV A

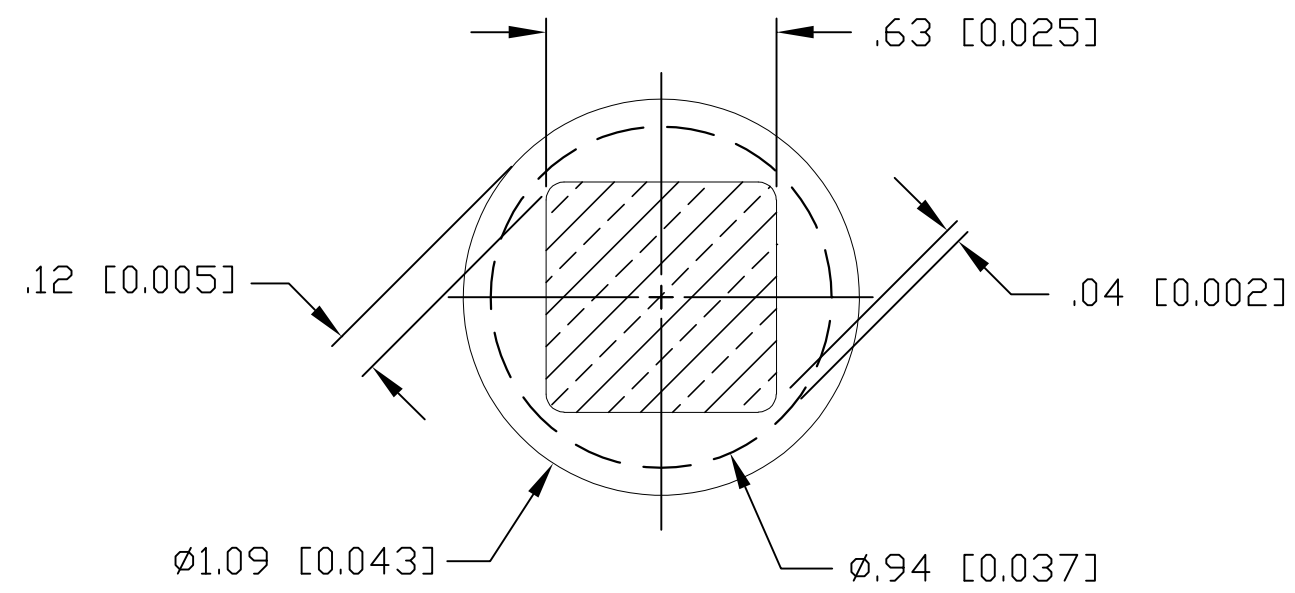
6651982

THIS DRAWING IS UNPUBLISHED. RELEASED FOR PUBLICATION
 © COPYRIGHT BY TYCO ELECTRONICS CORPORATION. ALL RIGHTS RESERVED.

LOC	DIST	REVISIONS			
P	LTR	DESCRIPTION	DATE	DWN	APVD
GP	00	SEE SHEET 1	-	-	-



7. SOLDER PIN DETAIL



8 SOLDER TERMINATION AREA
 RECOMMENDED PRINTED CIRCUIT HOLE

FINISHED HOLE: ø1.02 [0.040] ±.08 [0.003]
 DRILLED HOLE: ø1.15 [0.0453] ±.013 [0.0005]
 COPPER PLATE: .025 [0.0010] MINIMUM (PER SURFACE)
 TIN PLATE: .008 [0.0003] MINIMUM (PER SURFACE)

THIS DRAWING IS A CONTROLLED DOCUMENT.		DWN R.GRZYBOWSKI 24MAY2007	Tyco Electronics Corporation Harrisburg, PA 17105-3608	
DIMENSIONS: mm		CHK P.DAMATO 24MAY07	NAME	
TOLERANCES UNLESS OTHERWISE SPECIFIED:		APVD S.FLICKINGER 24MAY07	SOCKET CONNECTOR STRAIGHT, SOLDER TAILS FLATPAQ	
0 PLC ± - 1 PLC ± .5 [02] 2 PLC ± .25 [010] 3 PLC ± - 4 PLC ± - ANGLES ± .5		PRODUCT SPEC APPLICATION SPEC	SIZE A2	RESTRICTED TO
MATERIAL	FINISH	WEIGHT	CAGE CODE 00779	DRAWING NO C=6651982
-	-	-	SCALE 3:1	SHEET 3 OF 3
CUSTOMER DRAWING			REV A	