

Surge protection plug - CTM 2X1- 12DC - 2838584

Please be informed that the data shown in this PDF Document is generated from our Online Catalog. Please find the complete data in the user's documentation. Our General Terms of Use for Downloads are valid (<http://phoenixcontact.com/download>)



LSA-PLUS plug (COMTRAB CTM) with protective circuit for 2-conductor signal circuits grounded on one side.
Nominal voltage: 12 V DC

Why buy this product

- Can be used in LSA-PLUS disconnect and control strips or CT-TERMIBLOCK
- The CTM 10-MAG surge protection magazine can be freely fitted with various protective plugs
- Space-saving LSA-PLUS connection technology
- Typical installation locations include marshalling distributors
- Modular compact protection for high-density networks

RoHS


12V

IP20

IEC



Key Commercial Data

Packing unit	10 STK
GTIN	 4 017918 819606
GTIN	4017918819606

Technical data

Dimensions

Height	21 mm
Width	9.5 mm
Depth	53.5 mm

Ambient conditions

Ambient temperature (operation)	-25 °C ... 75 °C
Degree of protection	IP20

General

Housing material	PA
Flammability rating according to UL 94	V-0
Color	black

Surge protection plug - CTM 2X1- 12DC - 2838584

Technical data

General

Standards for clearances and creepage distances	DIN VDE 0110-1
	IEC 60664-1
Overvoltage category	II
Degree of pollution	2
Mounting type	On CT-TERMIBLOCK and LSA-PLUS disconnect strip
Type	LSA-PLUS module
Number of positions	2
Direction of action	Line-Line & Line-Earth Ground
Arrester can be tested with CHECKMASTER from software version:	From SW rev. 1.10

Protective circuit

IEC test classification	B2
	C1
	C2
	C3
	D1
VDE requirement class	B2
	C1
	C2
	C3
	D1
Nominal voltage U_N	12 V DC
Maximum continuous voltage U_C	± 15 V DC
	10 V AC
Rated current	380 mA AC (25 °C)
Operating effective current I_C at U_C	≤ 5 μ A
Residual current I_{PE}	≤ 2 μ A
Nominal discharge current I_n (8/20) μ s (line-earth)	5 kA
Pulse discharge current I_{imp} (10/350) μ s (line-earth)	1 kA
Total discharge current I_{total} (8/20) μ s	10 kA
Total discharge current I_{total} (10/350) μ s	2.5 kA
Max. discharge current I_{max} (8/20) μ s maximum (line-earth)	10 kA (in total)
Nominal pulse current I_{an} (10/1000) μ s (line-earth)	100 A
Output voltage limitation at 1 kV/ μ s (line-earth) spike	≤ 28 V
Output voltage limitation at 1 kV/ μ s (line-earth) static	≤ 22 V
Residual voltage at I_n (line-earth)	≤ 32 V
Residual voltage with I_{an} (10/1000) μ s (line-earth)	≤ 18 V
Voltage protection level U_p (line-earth)	≤ 60 V (C2 - 10 kV/5 kA, spike)
	≤ 30 V (C3 - 7.5 kV / 100 A, spike)
Response time t_A (line-earth)	≤ 1 ns
Input attenuation aE, asym.	0.3 dB (≤ 400 kHz)

Surge protection plug - CTM 2X1- 12DC - 2838584

Technical data

Protective circuit

Cut-off frequency f_g (3 dB), asym. (PE) in 100 Ohm system	1.5 MHz
Capacity (line-earth)	1.5 nF ($f=1$ MHz / $V_R=0$ V)
Resistance in series	3.3 Ω 10 %
Surge protection fault message	none
Impulse durability (line-earth)	C2 - 4 kV/2 kA
	C3 - 100 A
	B2 - 4 kV/100 A
	D1 - 1 kA
Alternating current carrying capacity (line-earth)	5 A - 1 s

Connection data

Connection method	can be plugged into COMTRAB-TERMIBLOCK and LSA-PLUS disconnect and switching strips
Connection method IN	COMTRAB plug-in system
Connection method OUT	COMTRAB plug-in system
Connection technology	LSA-PLUS

Connection, equipotential bonding

Connection method	Spring contact
-------------------	----------------

Standards and Regulations

Standards/regulations	IEC 61643-21
Standards/specifications	IEC 61643-21 2000

Environmental Product Compliance

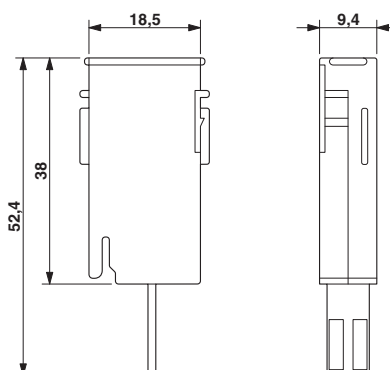
REACH SVHC	Lead 7439-92-1
China RoHS	Environmentally friendly use period: unlimited = EFUP-e
	No hazardous substances above threshold values

Drawings

Pictogram

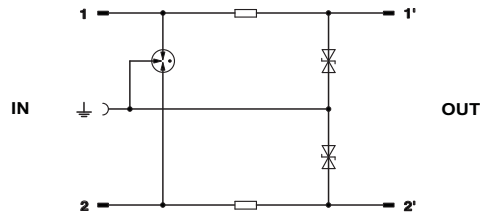


Dimensional drawing



Surge protection plug - CTM 2X1- 12DC - 2838584

Circuit diagram



Approvals

Approvals

Approvals

UL Listed / EAC

Ex Approvals

Approval details

UL Listed



<http://database.ul.com/cgi-bin/XYV/template/LISEXT/1FRAME/index.htm>

FILE E 138168

EAC



RU C-
DE.A*30.B01561

Phoenix Contact 2018 © - all rights reserved
<http://www.phoenixcontact.com>

PHOENIX CONTACT GmbH & Co. KG
Flachmarktstr. 8
32825 Blomberg
Germany
Tel. +49 5235 300
Fax +49 5235 3 41200
<http://www.phoenixcontact.com>