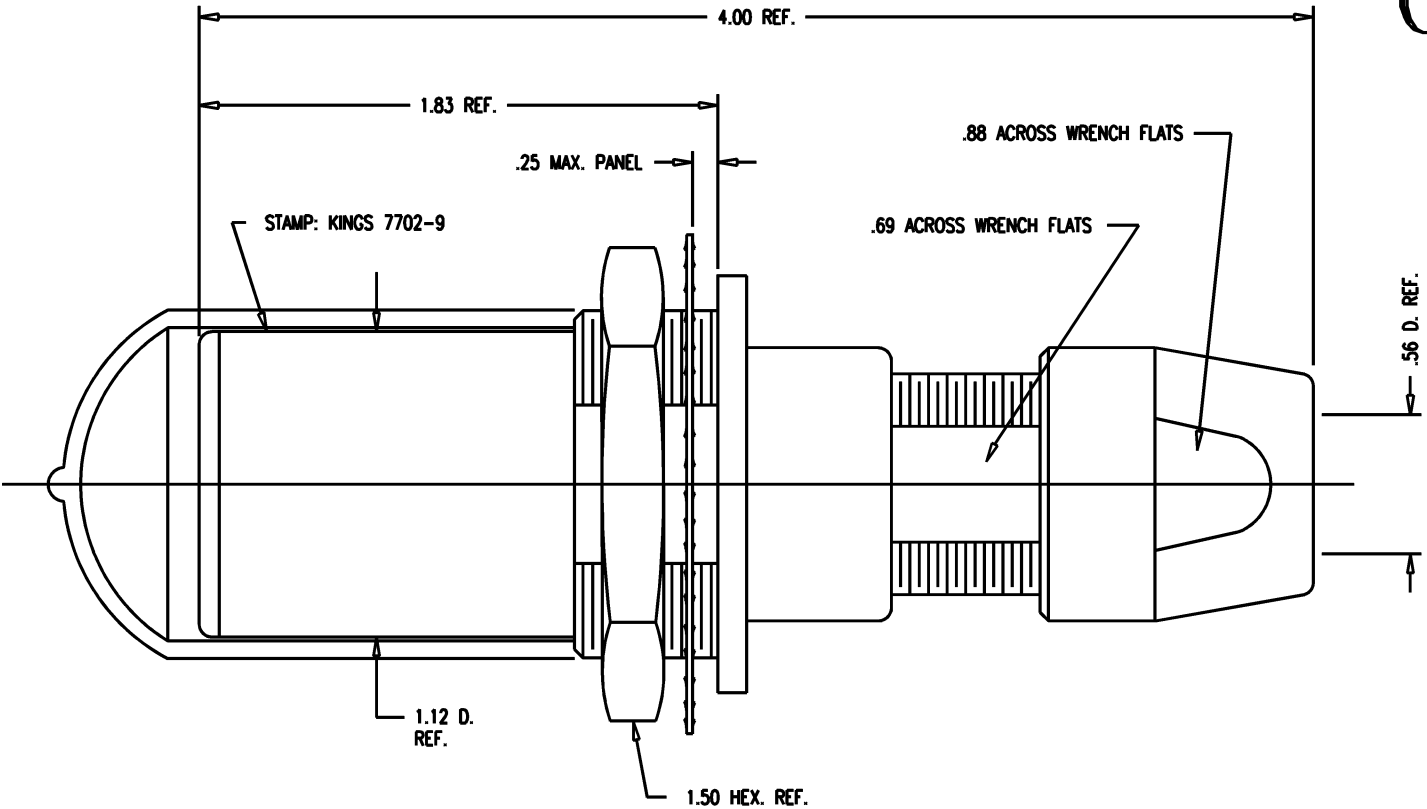


DASH NO.	M CODE	MADE FROM
----------	--------	-----------

# GSD



7702-9

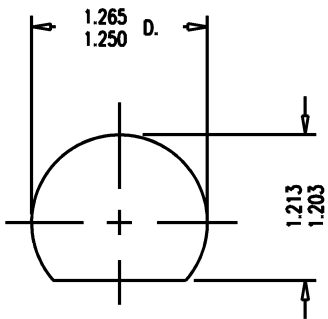
REVISIONS	
ISSUE	CHANGES
0	ER 35435 KH 04/17/95
1	CN 37238 D KH 02/03/97
2	CN 37289 A KH 03/13/97

KAM5573

**NOTES:**

- FOR USE WITH 740 CABLE GROUP.
- FOR CABLING INSTRUCTIONS SEE KAI-8010.
- FOR CABLE TRIMMING USE KTJ-300 AND KTD-304.
- FOR CRIMPING USE DIE KTH-2041.
- MATERIALS:  
 INSULATORS-TEFLON, ASTM-D-4894  
 LOCKWASHER-SPRING STEEL, ASTM-A-682  
 GASKETS-SILICONE RUBBER, ZZ-R-765  
 CAP-VINYL  
 K-GRIP SLEEVE-COMMERCIAL BRONZE, ASTM-B-135  
 CENTER CONTACT  
 OUTER CONTACT SPRING } BER. COP., ASTM-B-196  
 INSERT  
 ALL OTHER METAL PARTS-BRASS, ASTM-B16

- FINISHES:  
 CENTER CONTACT } GOLD PLATE PER MIL-G-45204  
 OUTER CONTACT SPRING }  
 LOCKWASHER }  
 NUTS } KINGS TARNISH RESISTANT NICKEL FINISH (TR-5)  
 COLLET }  
 OUTER BODIES }  
 ALL OTHER METAL PARTS-SILVER PLATE PER QQ-S-365
- ELECTRICAL CHARACTERISTICS:  
 NOMINAL IMPEDANCE: 75 OHMS  
 FREQUENCY RANGE: DC-500 MHZ  
 VOLTAGE BREAKDOWN: CENTER CONDUCTOR/INNER GROUND: 1500 VRMS  
 INNER GROUND/OUTER GROUND: 500 VRMS



# GSD MOUNTING HOLE

SCALE 2:1
APPROX SURFACE AREA
USED ON
REF: KP-8021-747-400
JK, BKHD, TRI-LOC SERIAL DIGITAL
DRAWN KH DATE 04/17/95
DESIGN DW DATE 04/18/95
APPR. DATE

**KINGS**  
ELECTRONICS CO., INC.  
TUCKAHOE, NEW YORK 10707

7702-9