



# PRODUCT DATASHEET

## Ida series

last update 19/11/2015

### DETAILS

<b>Product Number</b>	CP14877_IDA16-O
<b>Family</b>	Ida
<b>Type</b>	Assembly
<b>Color</b>	black
<b>Diameter</b>	49,7 + 49,5 mm
<b>Height</b>	9,2 mm
<b>Style</b>	square
<b>Optic Material</b>	PMMA
<b>Holder Material</b>	
<b>Fastening</b>	clips
<b>Status</b>	production ready
<b>ROHS Compliant</b>	Yes
<b>Date Updated</b>	19/11/2015



### OPTICAL PROPERTIES

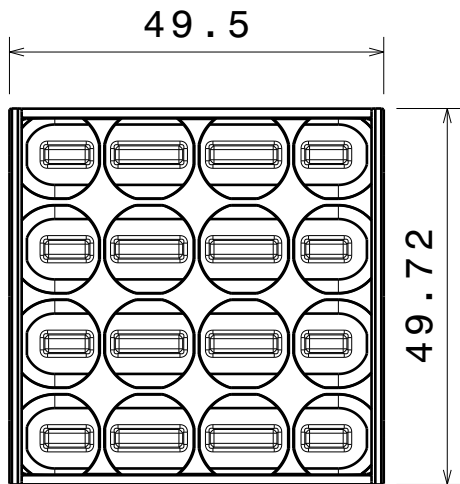
LED	Viewing Angle	Light Beam	Efficiency	cd/lm	Connector
NF2x757D	sim: 90+33	Oval	sim: 92 %	-	-
Duris S5 (2 chip)	67+49 deg	Oval	87 %	0.930	-

D

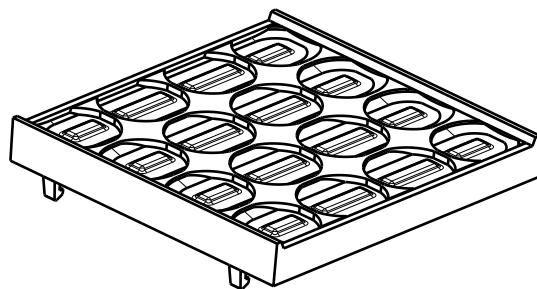
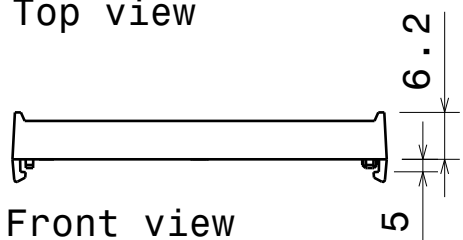
C

B

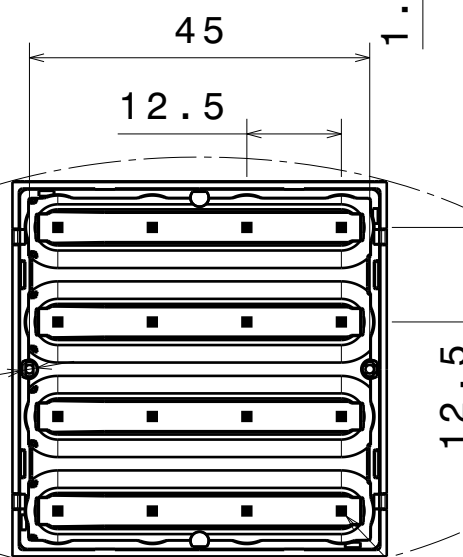
A



Top view

Isometric view  
Scale: 1:1

Front view



Bottom view

0-beam direction

LED position

Note:

Countersunk screws required  
for PCB attachment.

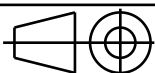
INDEX	PART NO	DESCRIPTION	MATERIAL	COLOUR
1	C14538	IDA16-HLD-16	PC	gray
2	C14707	IDA16-0	PMMA	

Tolerances if not otherwise shown  
According to DIN ISO 2768-1  
Linear measures:  
up to 30mm class M, otherwise class C  
According to DIN ISO 2768-2  
Form and position: class L

LEDiL

Ledil Oy  
Salorankatu 10  
FIN 24240 SALO  
Finland

THIRD ANGLE PROJECTION:



DRAWING TITLE

CP14877\_IDA16-0

This drawing is the property  
of LEDiL Oy. It may not be  
reproduced, copied or  
communicated without a written  
agreement with LEDiL Oy.

SIZE

A4

PART NUMBER

CP14877

SCALE

1:1

WEIGHT

8,0 g

SHEET

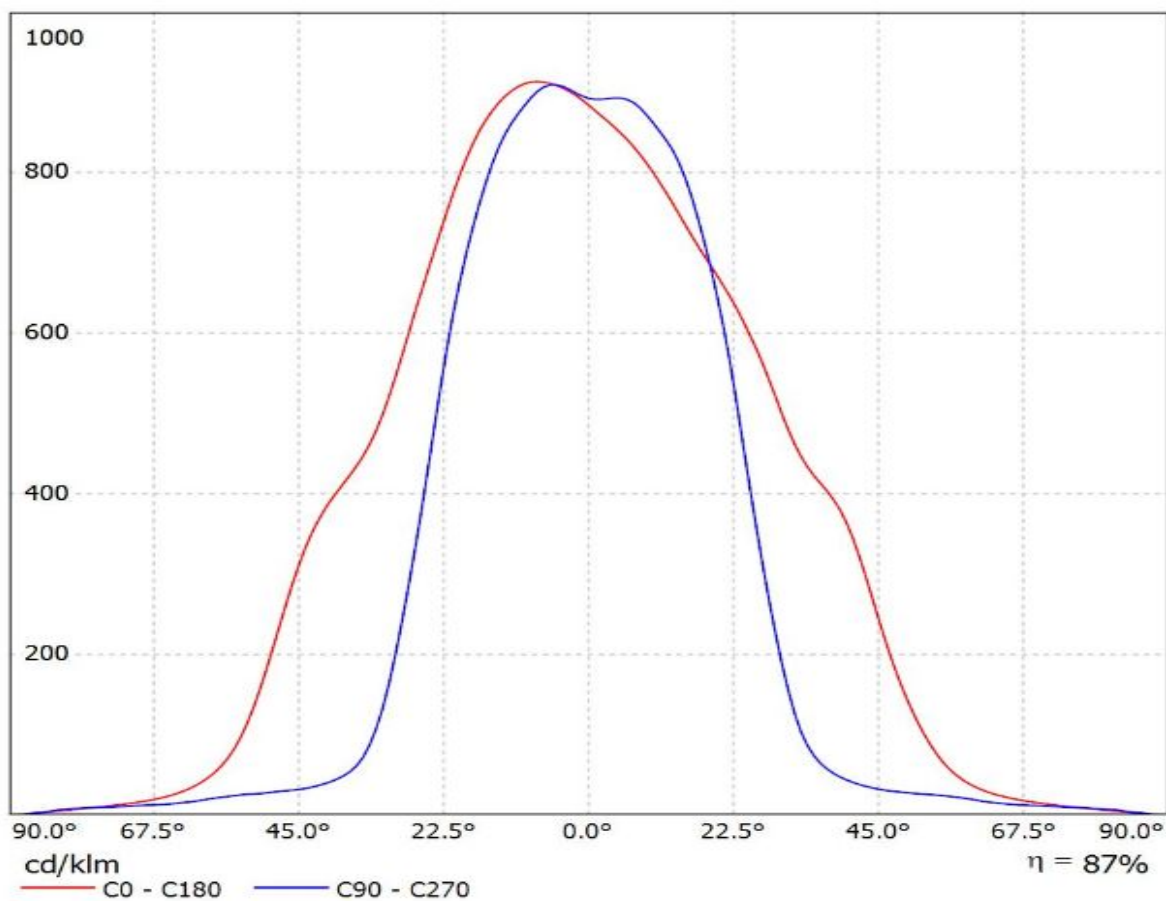
1/1

D

A

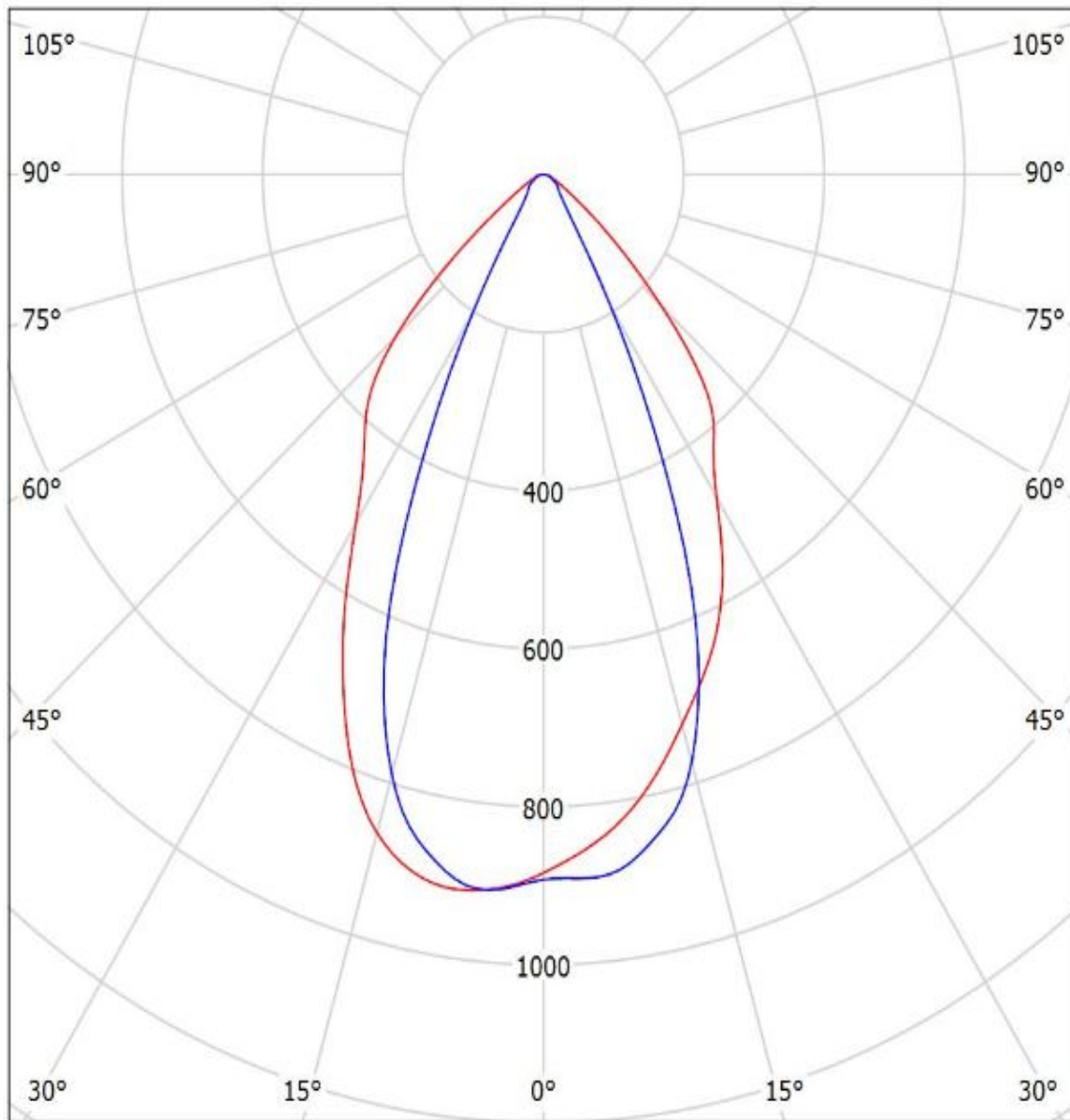
Luminaire: Ledil CP14877\_IDA16-O\_(Duris\_S5-2Chip)\_P6

Lamps: 1 x Osram\_Duris\_S5-2Chip\_(GW\_PSLPS1\_EC-KTPL-5H7I)\_476.804lm@150mA\_CCT=5000K\_P=3.3819W\_I=0.150A



Luminaire: Ledil CP14877\_IDA16-O\_(Duris\_S5-2Chip)\_P6

Lamps: 1 x Osram\_Duris\_S5-2Chip\_(GW\_PSLPS1\_EC-KTPL-5H7I)\_476.804lm@150mA\_CCT=5000K\_P=3.3819W\_I=0.150A



cd/klm

— C0 - C180 — C90 - C270

$\eta = 87\%$

**NOTE: The typical divergence will be changed by different color, chip size and chip position tolerance. The typical total divergence is the full angle measured where the luminous intensity is half of the peak value.**