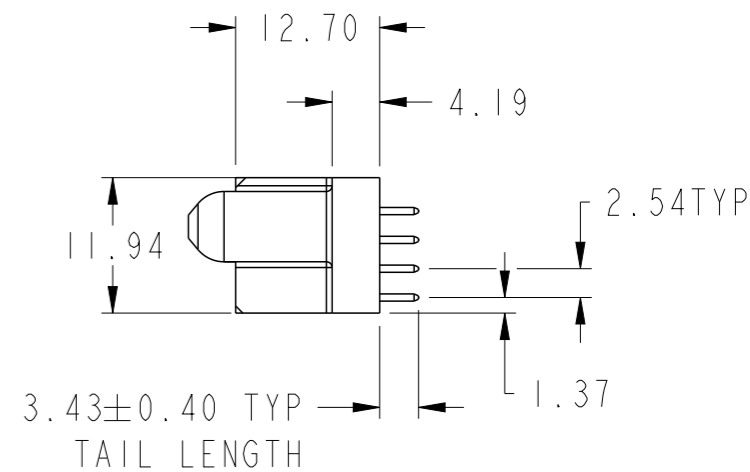
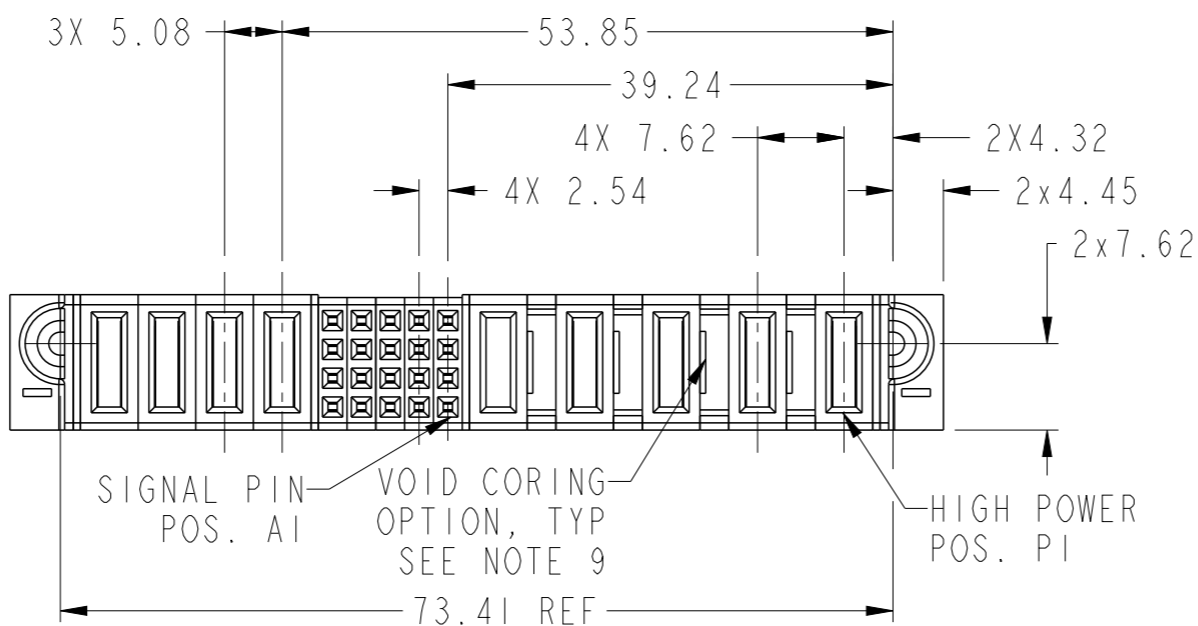
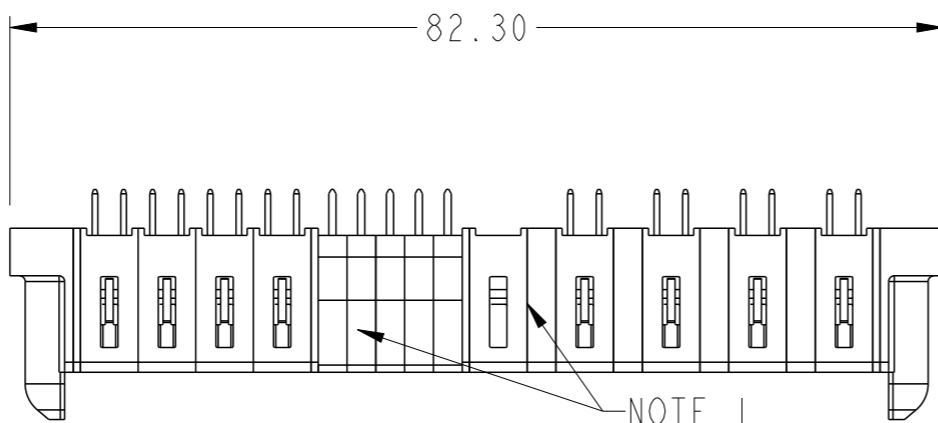
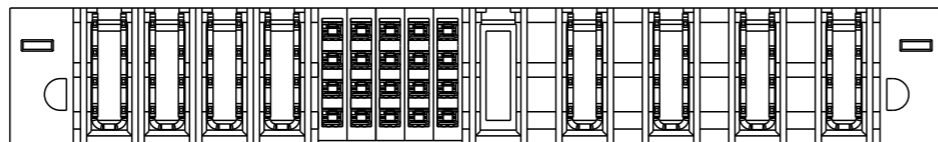


PRODUCT NUMBER SEE SHEET 2



spec ref		dr	Xie Bob	2014/04/09	projection	MM	size	A3	scale	3:2
tolerance std ASME Y14.5		TOLERANCES UNLESS OTHERWISE SPECIFIED			eng	Rainbow Zhan	2014/07/03	ecn no		
		chr	Li-He	2014/07/03	product family		PowerBlade+	rel level		
		appr	Pei-Ming Zheng	2014/07/03				Released		
surface	linear	0.X	±0.50		part no		5ACP+20S+4HDP		dwg no 10106268-9005001	rev
		0.XX	±0.25		VT PF RECEPTACLE		A			
		0.XXX	±0.10		cat. no.					
ASME Y14.5	angular	0°	±2°	www.fci.com		Product - Customer Drw		sheet 1 of 3		

A

B

C

D

A

B

C

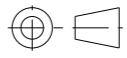
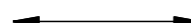

D

NOTES:

- 1) "FCI", PART NUMBER AND DATE CODE TO BE MARKED ON THIS SURFACE.
THE MARK CAN BE OMITTED IF THERE IS NOT ENOUGH SPACE ON THIS SURFACE.
- 2) MATERIALS:
-HOUSING - GLASS FILLED WITH HIGH TEMP THERMOPLASTIC, UL94V-0.
-SIGNAL CONTACT - COPPER ALLOY.
-POWER CONTACT - HIGH CONDUCTIVITY COPPER ALLOY.
- 3) PLATING SPECIFICATION REFER TO FCI 10116351
- 4) DENOTES CONNECTOR KEEP OUT ZONE.
- 5) DATUM AND BASIC DIMENIONS WERE ESTABLISHED BY CUSTOMER.
- 6) ALL HOLE DIAMETERS ARE FINISHED HOLE SIZES.
- 7) 1.15 ± 0.025MM DRILLED HOLE PLATED WITH 0.00762MM MIN Sn
OVER 0.0254-0.0762MM Cu PLATING TO ACHIEVE A 1.02 ± 0.07MM HOLE.
- 8) PRODUCT SPECIFICATION REFER TO FCI GS-12-658.
APPLICATION SPECIFICATION REFER TO FCI GS-20-141.
PRODUCT PACKAGED IN TRAYS, REFER TO FCI GS-14-1502.
- 9) THE VOID CORING IN BETWEEN POWER MODULES, SIGNAL
MODULES AND END MODULES ARE OPTIONAL AND THE SHAPE
MAY BE DIFFERENT FOR OPTIMIZE THE MOLDING PROCESS. THE
VOID CORING WILL NOT EFFECT TO PRODUCT FUNCTION.



Copyright FCI.

dr	Xie Bob	2014/04/09	projection 	MM 	size	A3	scale	1:1
eng	Rainbow Zhan	2014/07/03			ecn no	-		
chr	Li-He	2014/07/03			product family	PowerBlade+	rel level	Released
appr	Pei-Ming Zheng	2014/07/03						
		title 5ACP+20S+4HDP VT PF RECEPTACLE		dwg no 10106268-9005001	rev A			
www.fci.com		cat. no.	Product - Customer Drw		sheet 3 of 3			