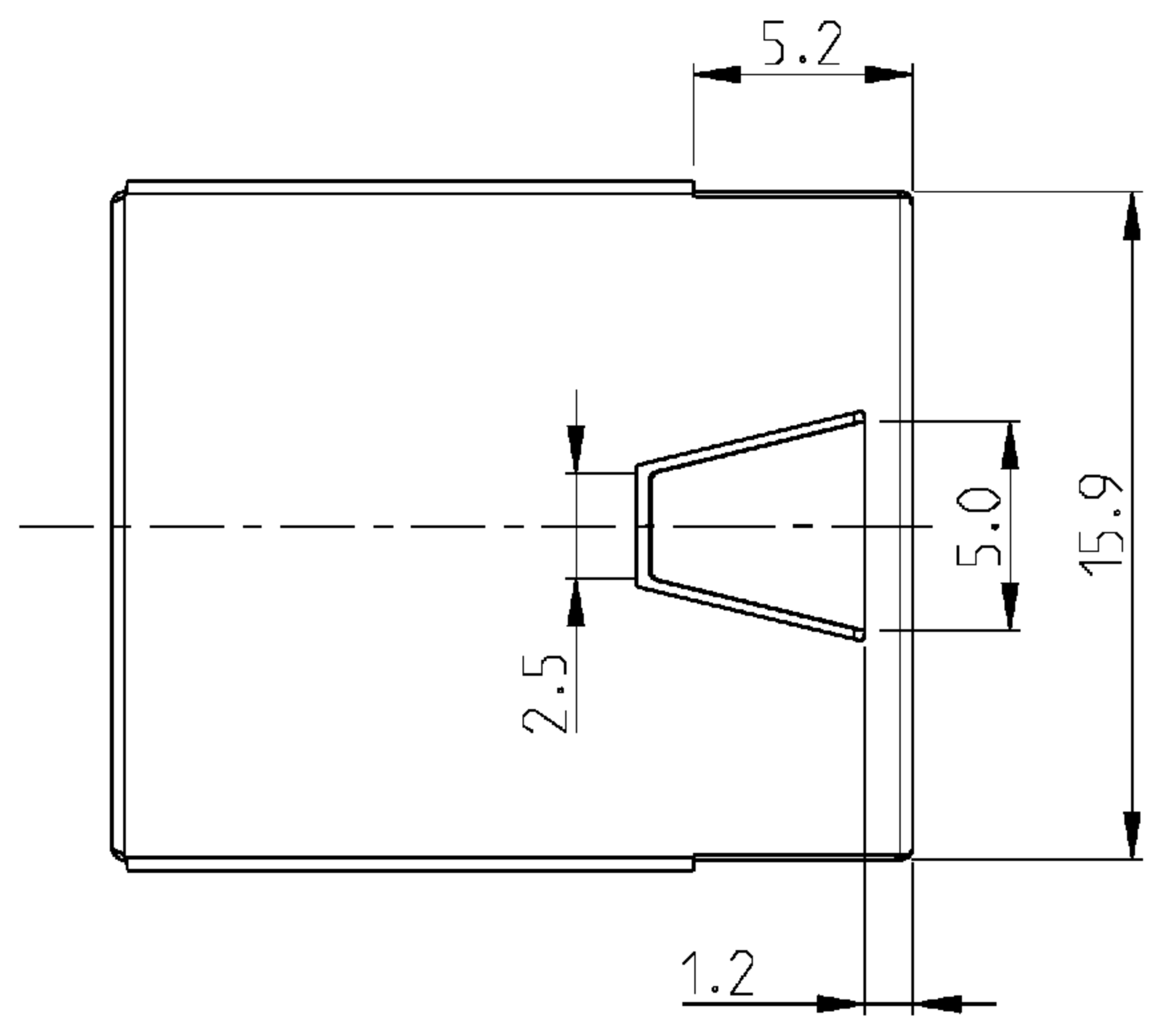
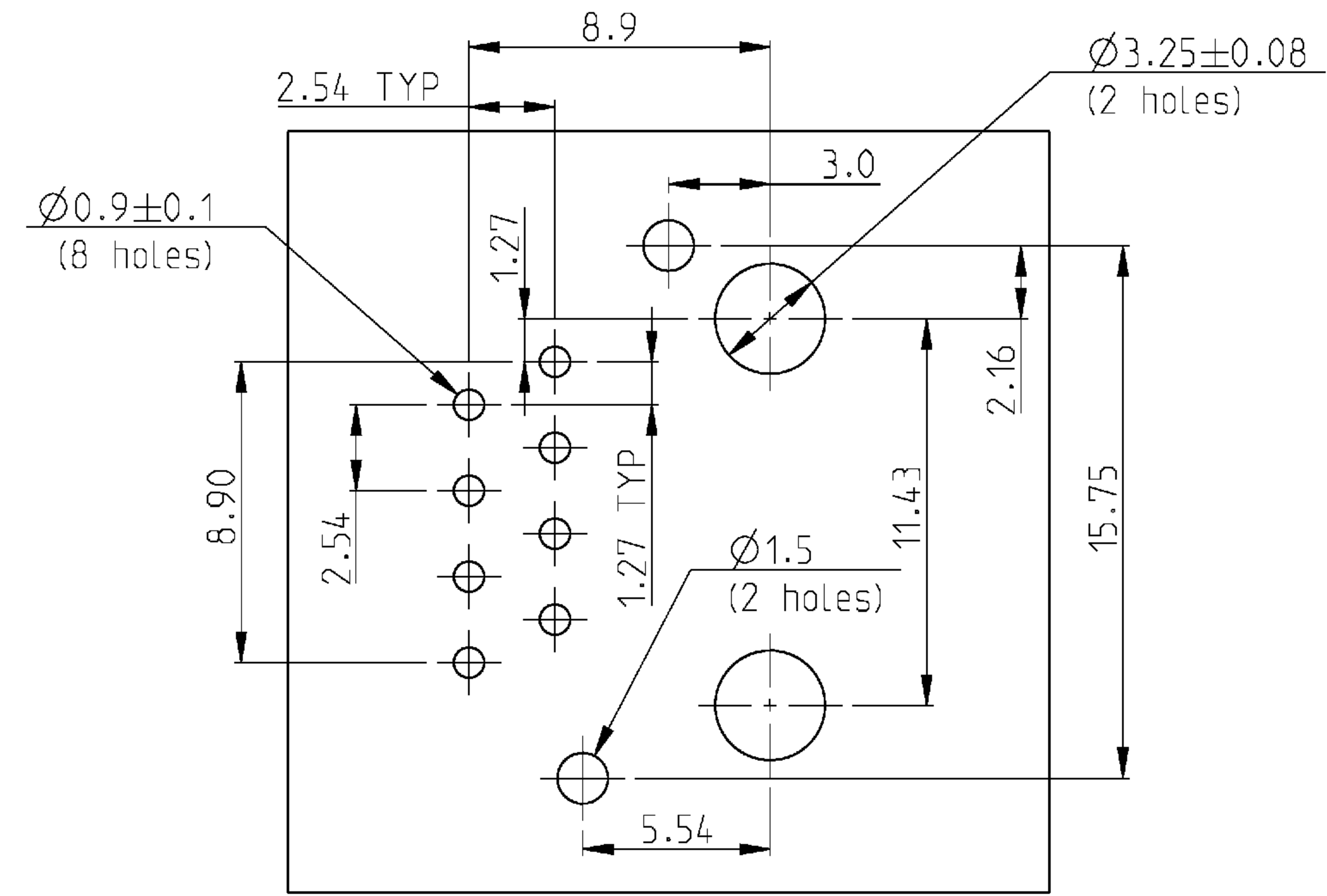
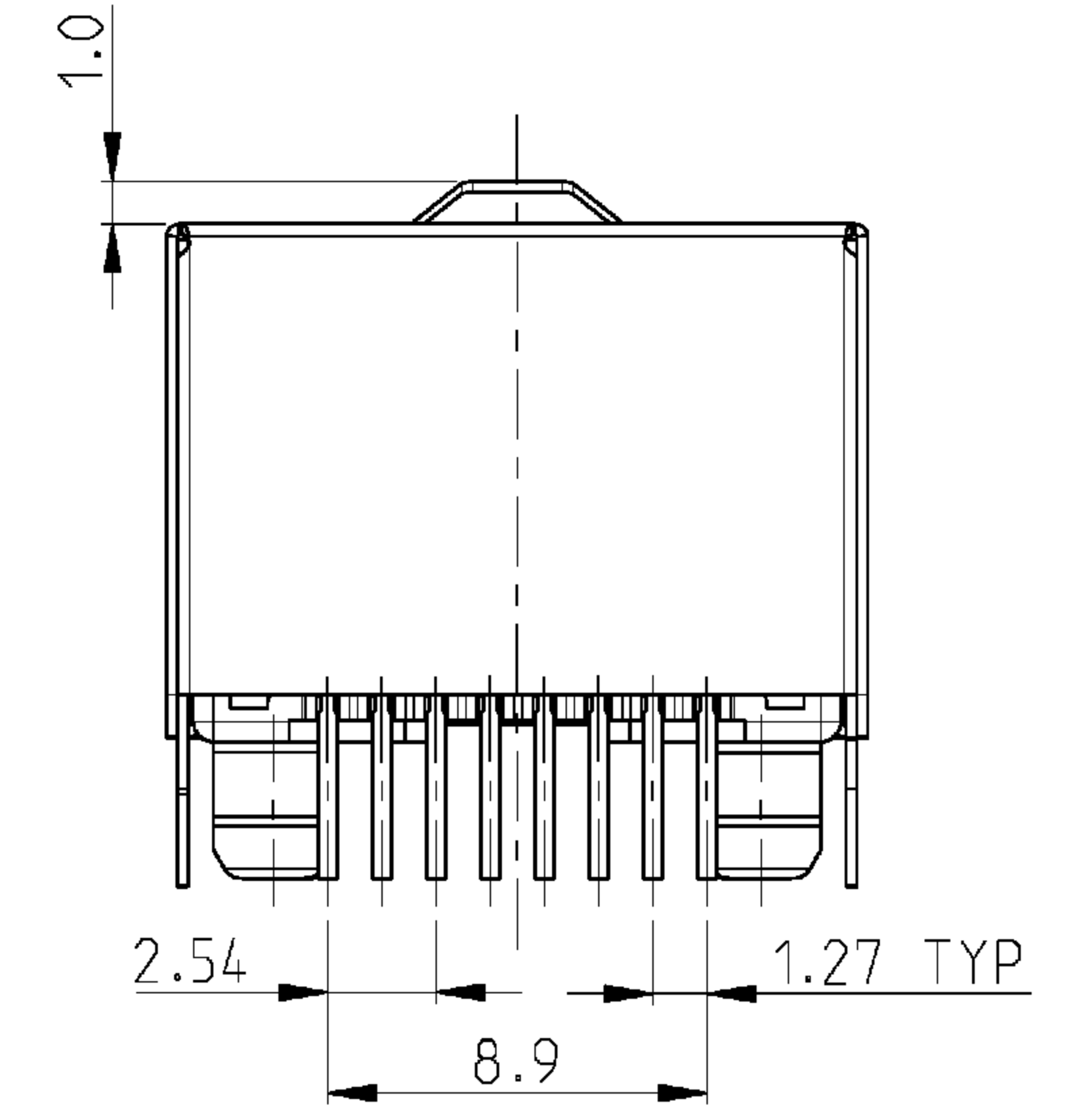
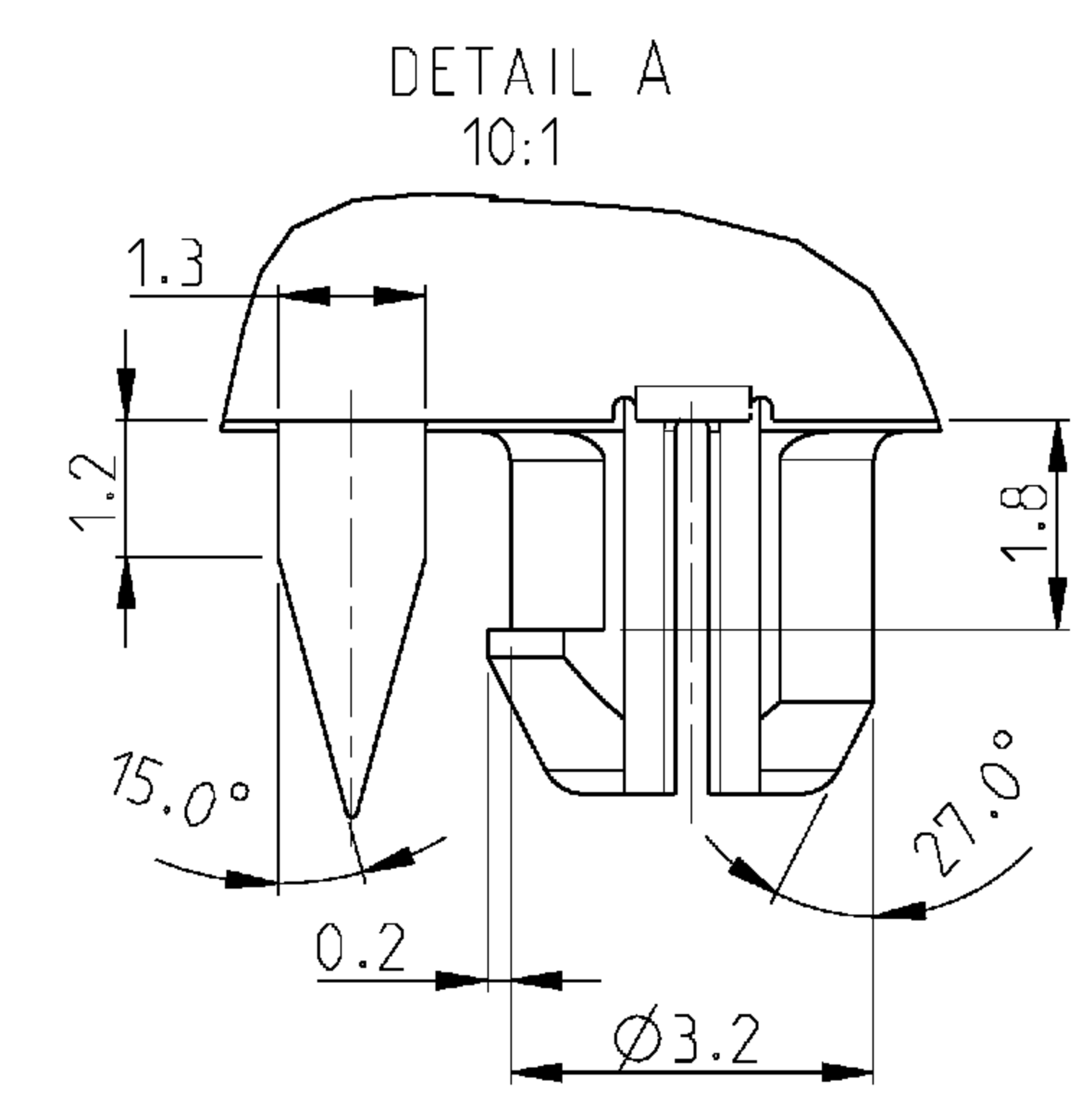
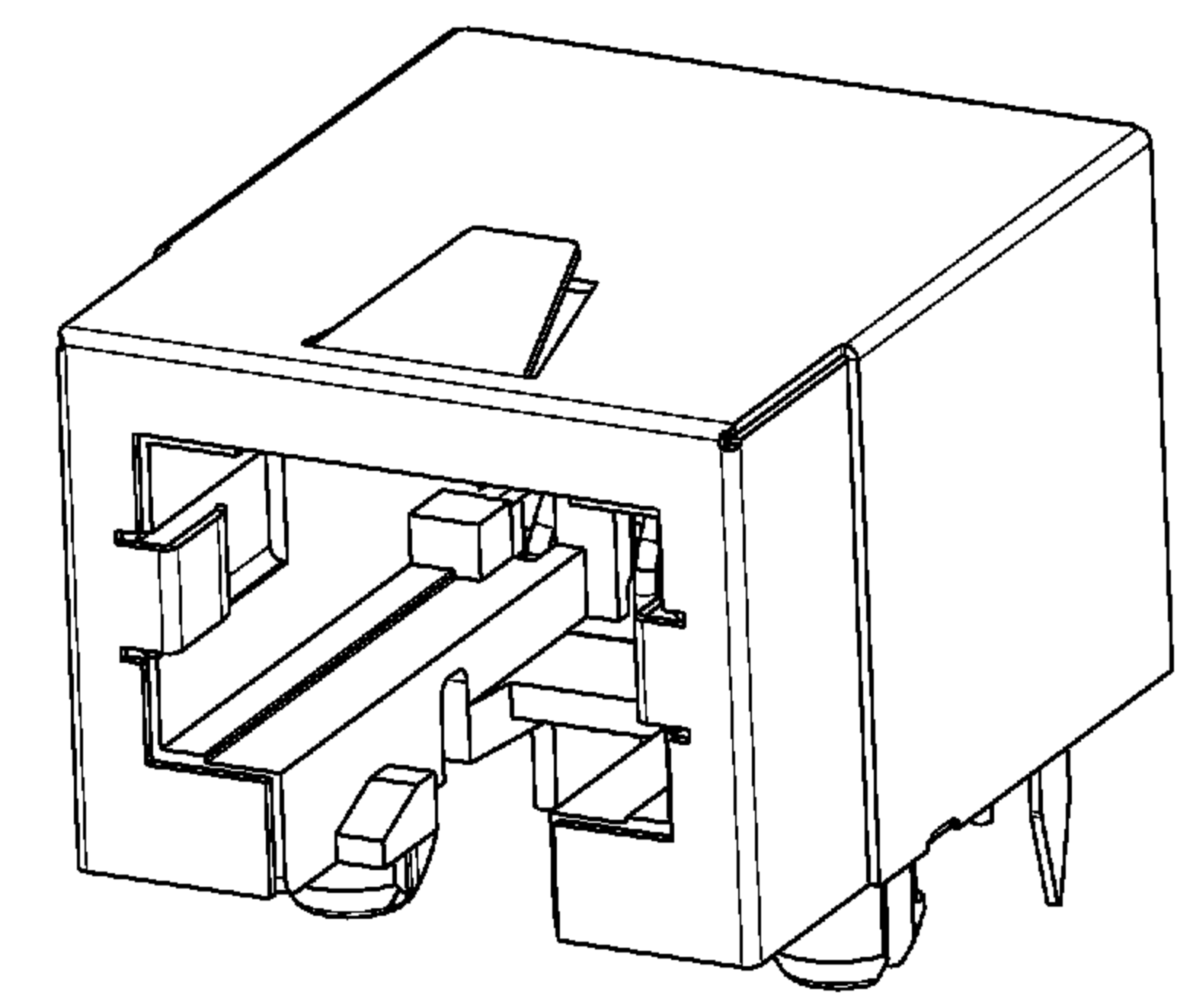
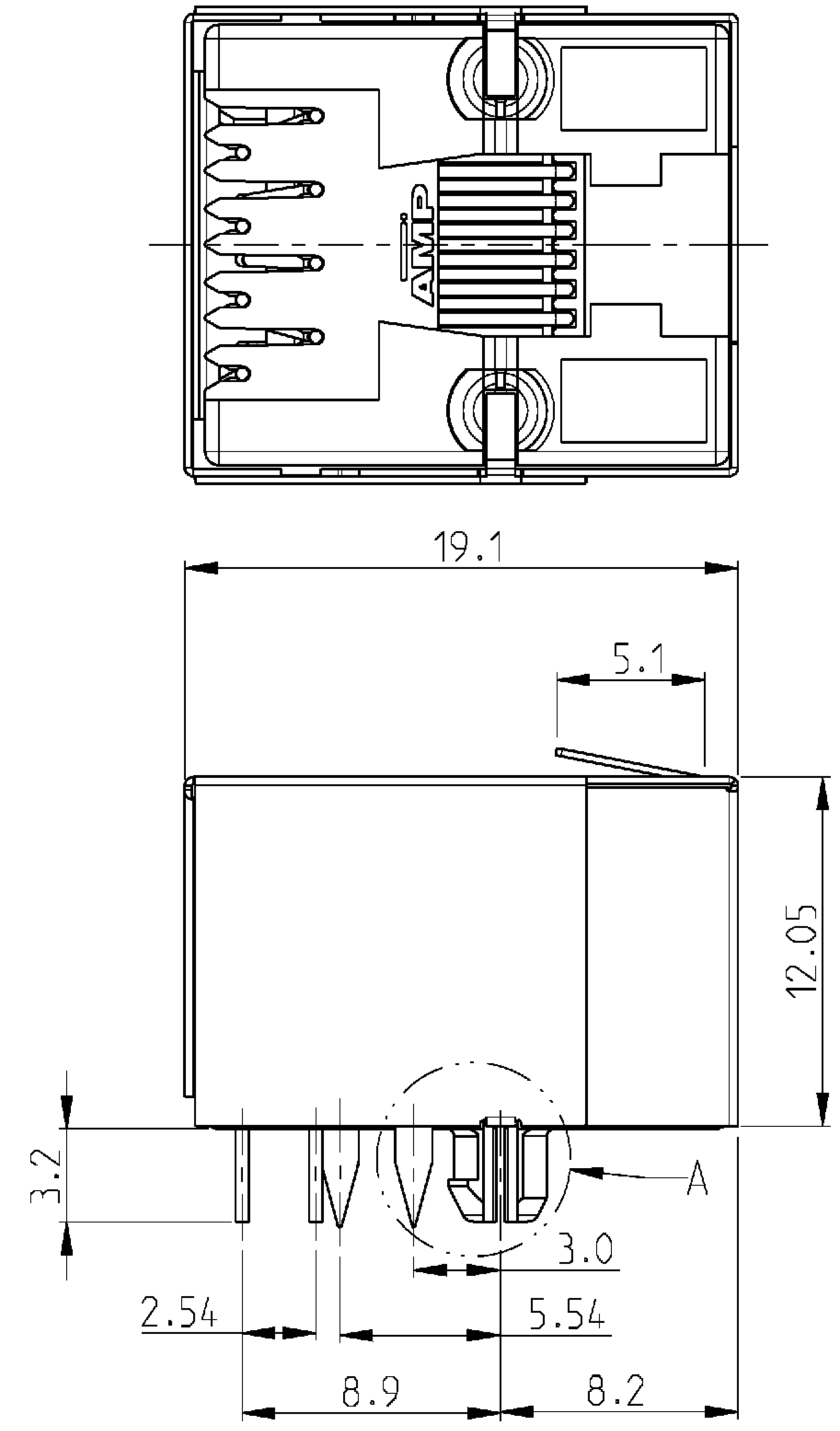
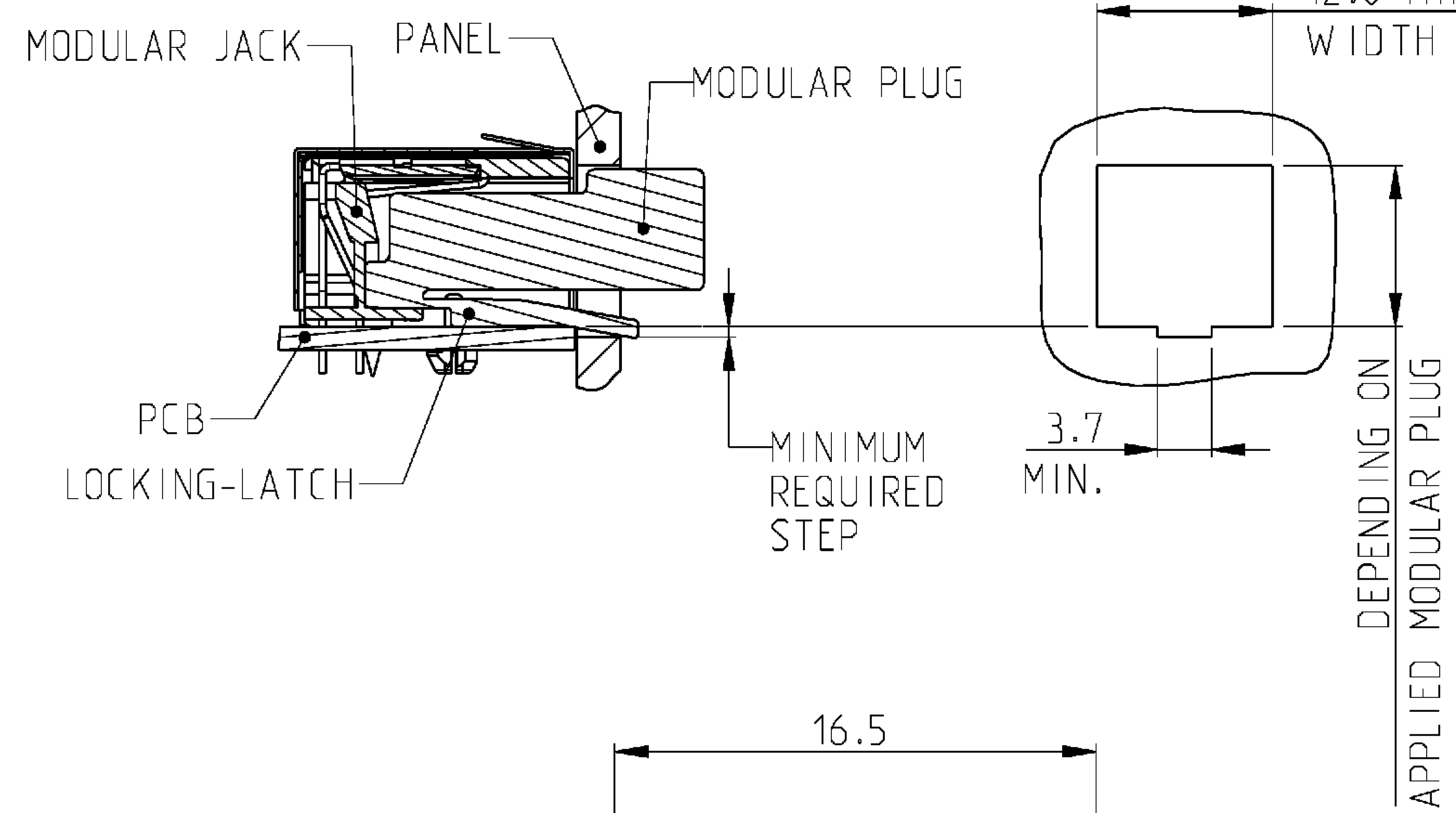


THIS DRAWING IS UNPUBLISHED. RELEASED FOR PUBLICATION 2000
 © COPYRIGHT 2000 BY TE CONNECTIVITY ALL RIGHTS RESERVED.

LOC		DIST		REVISIONS			
P	LTR	DESCRIPTION	DATE	DWN	APVD		
M		ECR-10-02018	21JUN11	PS	RRP		
N		ECR-11-016284	08MAR12	PS	RRP		

PANEL CUT-OUT DIMENSIONS FOR REAR PANEL MOUNT.



1 FOR APPLICATION INFORMATION SEE SPEC. 114-19019
 2 FOR PERFORMANCE REQUIREMENTS SEE SPEC. 108-19064 EXCEPT SHIELDING REQUIREMENTS.

190 PCS IN A TRAY	OVERALL: Ni 1.27µm MIN. ALL OVER THE CONTACTS SOLDER ZONE: Sn 2.5µm MIN. ON THE SOLDER ZONE OF THE CONTACT MATING ZONE: PLATING CONFIRMS TO PRODUCT REQUIREMENTS AS PER SPECIFICATION 108-19064	HOUSING: PBT UL 94V-0 BLACK CONTACTS: PHBRONZE SHIELD: BRASS PRE-PLATED (BRIGHT TIN)	106066-2
PACKAGING	FINISH	MATERIAL	P/N

PRINTED CIRCUIT BOARD LAYOUT.
 (VIEW SHOWN IS CIRCUIT (NONCOMPONENT) SIDE OF BOARD)
 PRINTED CIRCUIT BOARD THICKNESS: 1.6 mm NOMINAL.
 TOLERANCES UNLESS OTHERWISE SPECIFIED: ±0.05

THIS DRAWING IS A CONTROLLED DOCUMENT FOR TFCO ELECTRONICS CORPORATION IT IS SUBJECT TO CHANGE AND THE CONTROLLING ENGINEERING ORGANIZATION SHOULD BE CONTACTED FOR THE LATEST REVISION.		DWN 29 JAN 02 Verougstraete	TE Connectivity	
DIMENSIONS: mm	TOLERANCES UNLESS OTHERWISE SPECIFIED:	APVD	NAME	RESTRICTED TO
0 PLC	±0.15	PRODUCT SPEC	MODULAR JACK 8 POS., LOW PROFILE FULLY SHIELDED, SIDE ENTRY, WITH INSULATING TAPE	
1 PLC	±0.15	APPLICATION SPEC	SIZE	
2 PLC	±0.15		A2	
3 PLC	±0.15	WEIGHT	CAGE CODE	
4 PLC	±0.15		00779	
ANGLES	±0.30°	CUSTOMER DRAWING	DRAWING NO	
FINISH		SCALE	©=106066	
		SHEET	1	OF 1
		REV	N	