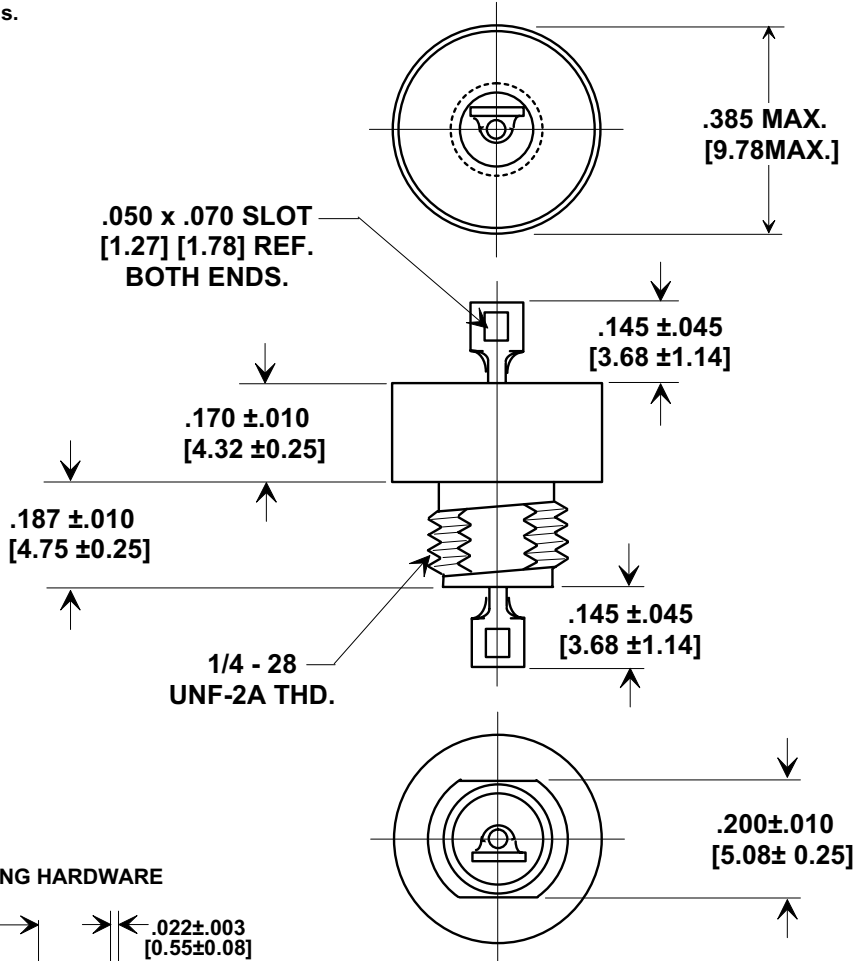
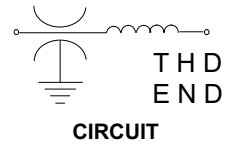
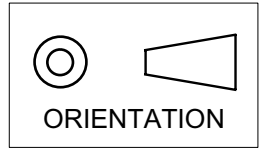


MARKETING SALES DRAWING

DIMENSIONS IN INCHES - DO NOT SCALE THIS DRAWING
DIMENSIONS IN METRIC - []

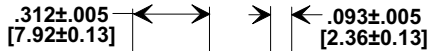
Electrical Testing
 per Tusonix standard
 test plans and Mil-Std-202
 Test Methods.



MOUNTING HARDWARE



LOCK WASHER



HEX NUT

NOTES:

MATERIALS:

- BUSHING - TIN PLATED STEEL
- LEAD - SOLDER PLATED COPPER
- NUT - TIN PLATED BRASS
- L'WASHER - TIN PLATED PHOSPHOR BRONZE
- MOUNTING TORQUE: 8 lb - ins. max
- SEAL TESTED PER MIL-STD-202 METHOD 112 CONDITION A.
- DCR - .01Ω max.
- MAX. SOLDER TEMPERATURE 500°F

Cx REF. ONLY	WORKING VOLTAGE DC		CURRENT D.C.	MINIMUM NO LOAD INSERTION LOSS (dB) AT 25°C PER MIL-STD-220					
	85°C	125°C		30 KHz	150 KHz	300 KHz	1 MHz	10 MHz	1 GHz
1.4 μF REF.	80	50	10 A	15	28	33	44	60	70

X-2015 Rev-0	REVISION RECORD		
	Original Release	0	
	C.O. 20010523-2-01		
	ADDED CX. S.M. 12-18-01		
		1	
			20011210-2-14

--TOLERANCES-- Unless Otherwise Specified		Title MI5733/38-0005	
DECIMAL ± // //		HERMETICALLY SEALED	
ANGLES ± // //		BUSHING MOUNT EMI FILTER	
Approved		Drawn S.M. 05-23-01	Scale X 3
Approved TUSONIX TUCSON, ARIZONA		B.Mc. 05-23-01	
A		4601-504	