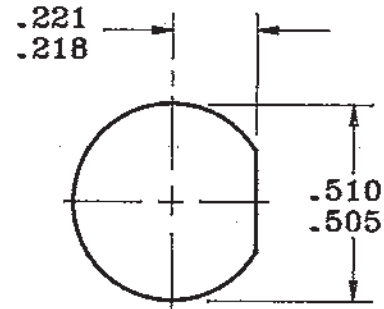
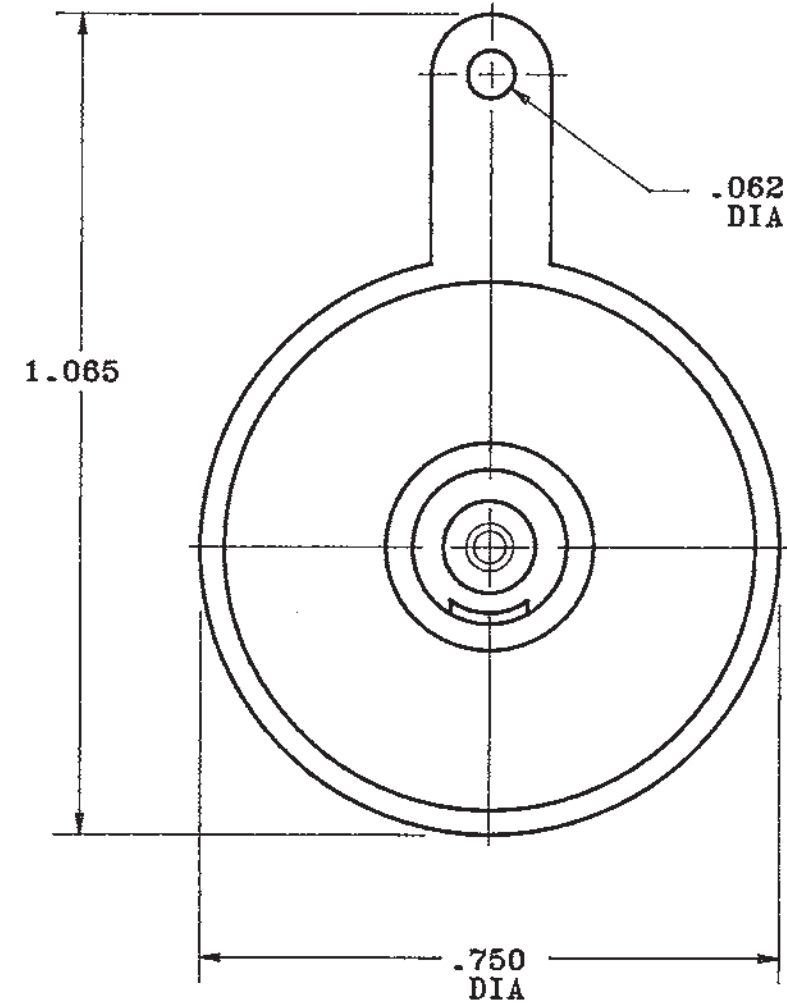
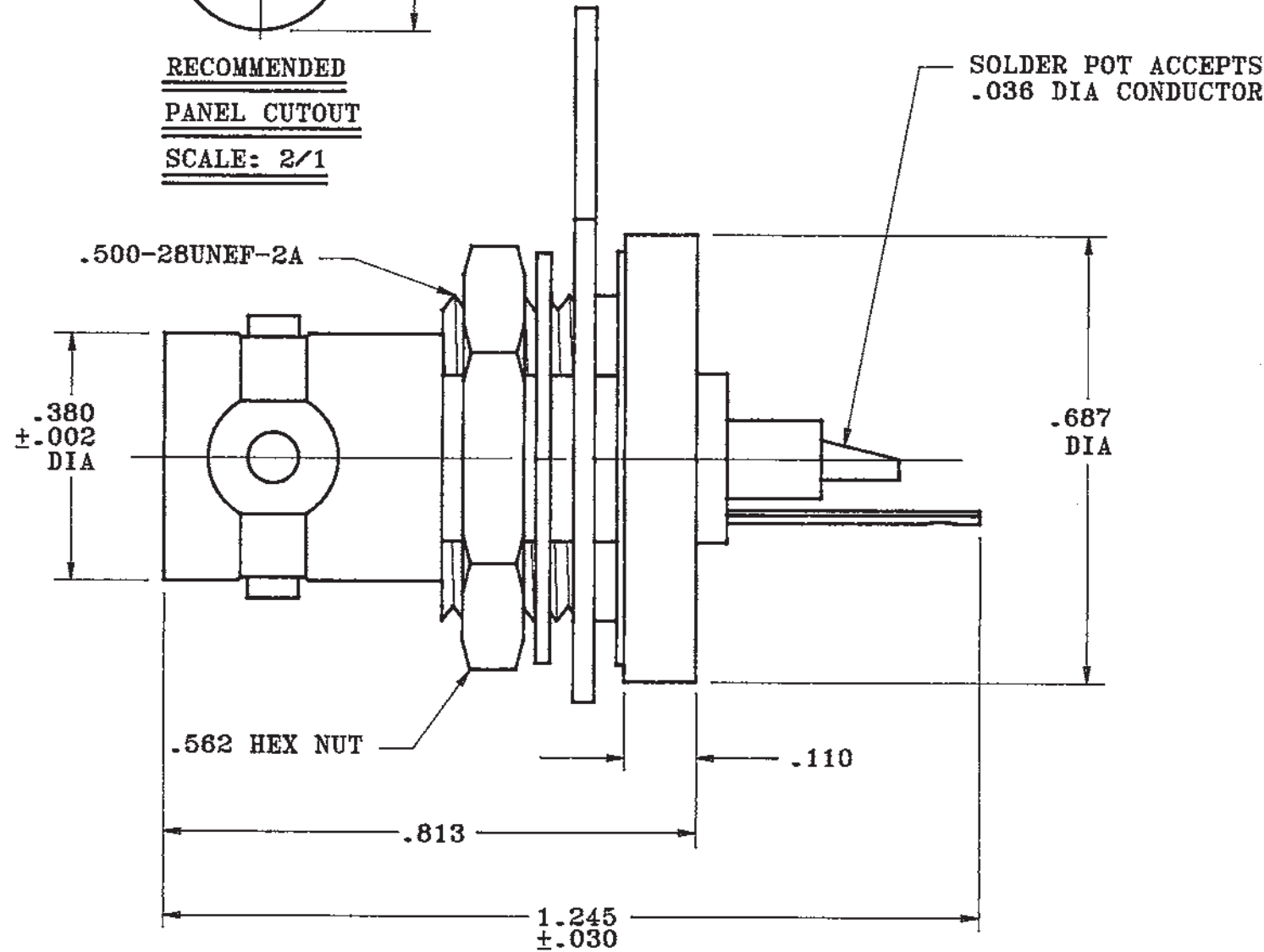


DATA CONTAINED IN THIS DOCUMENT IS PROPRIETARY TO TROMPETER ELECTRONICS INC. AND SHALL NOT BE DISCLOSED, COPIED OR USED FOR PROCUREMENT OR MANUFACTURE WITHOUT EXPRESS WRITTEN PERMISSION.

REVISIONS			3000-0237		SH 1
REV	EO	DESCRIPTION	DWN	APPROVED	DATE
C	7645	REV BOM & ① .SH 2 & REDWN	RAG	F3, BM, [Signature]	9-24-87
D	7871	OBSOLETE	RAG	OK; BM; [Signature]	7-25-88
E	8290	DWG RE-INSTATED.	DKC	OK; BM; [Signature]	12-20-88



RECOMMENDED  
PANEL CUTOUT  
SCALE: 2/1



INCH	MM
.002	0.05
.005	0.13
.030	0.76
.036	0.91
.062	1.57
.094	2.39
.110	2.79
.218	5.54
.221	5.61
.380	9.65
.505	12.83
.510	12.95
.562	14.27
.687	17.45
.750	19.05
.813	20.65
1.065	27.05
1.245	31.62

4. MAX PANEL THK .094
3. 4-LUG CONCENTRIC TWINAX/TRIAX TRB REAR MOUNT SOLDER POT BULKHEAD RECEPTACLE
2. FINISH: TFS-1A (NICKEL)
1. ALL DIM ARE IN INCHES

QTY	DESCRIPTION		PART NUMBER	ITEM		
TOL UNLESS SPECIFIED			BJ71FL			
.XX ±						
.XXX ± .005						
.XXXX ±						
ANGLES ±						
DWN	RAG	8/31/87	MATERIAL	CODE IDENT	DRAWING NO.	REV
CHK	F3	9-14-87	—	14949	3000-0237	E
ENGR	BM	9-15-87				
APPR	[Signature]	9-23-87	SCALE 4/1	DATE 4/3/85	SHEET 1 OF 2	

NEXT ASSY