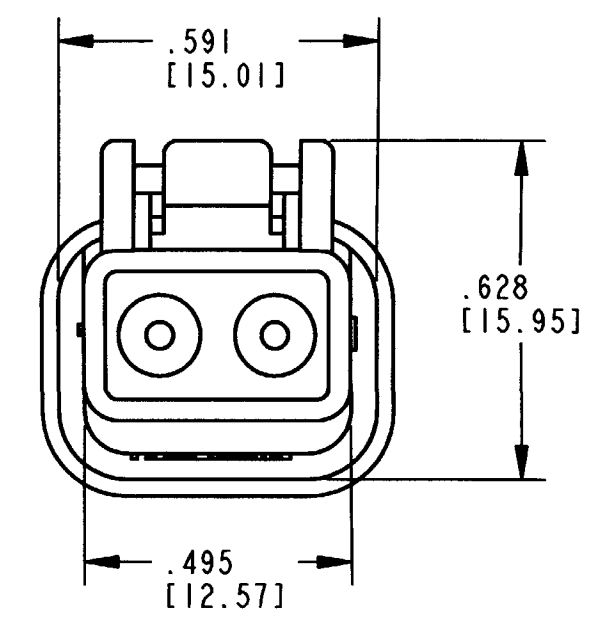
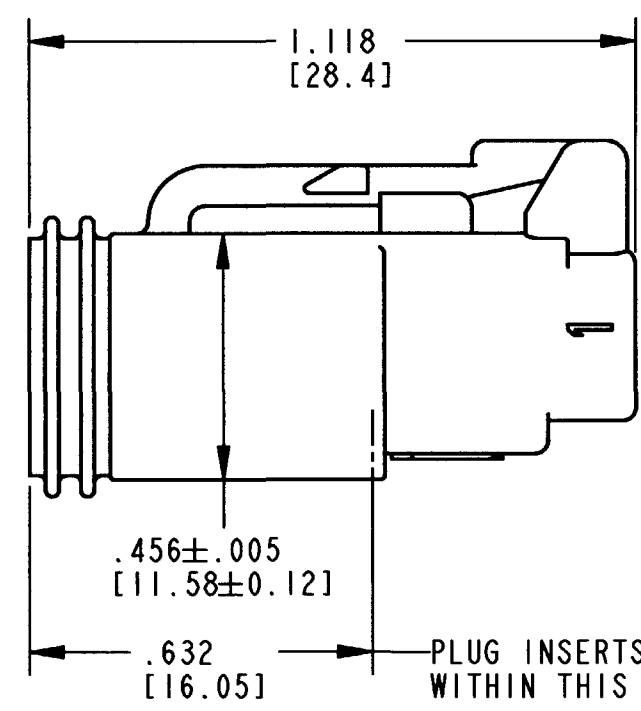
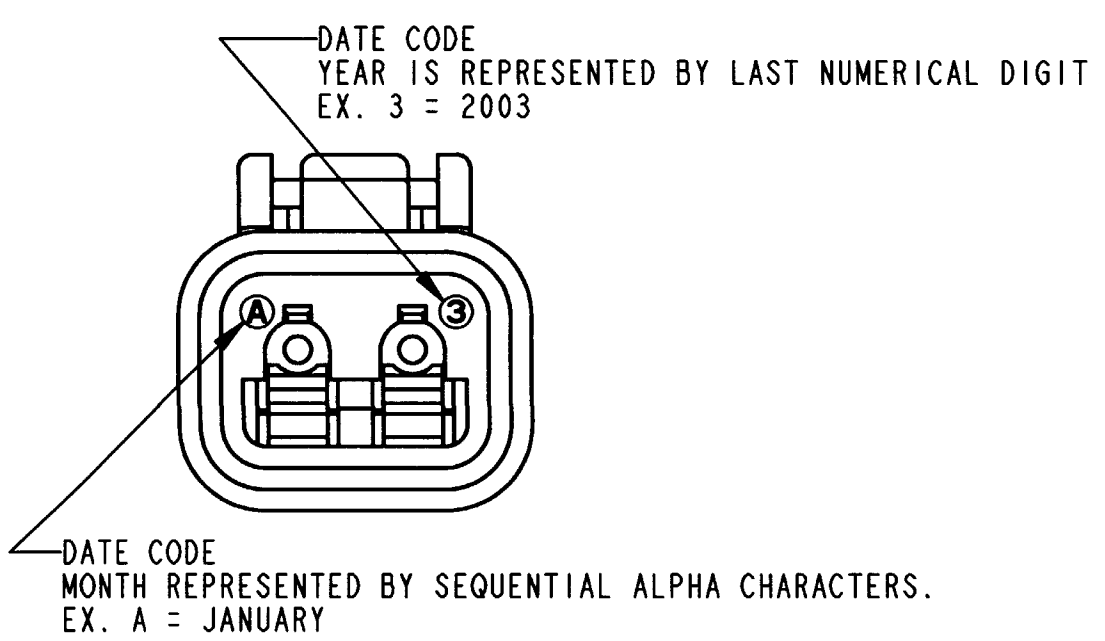


REV
C DT06-2S

REVISIONS			
SYM	DESCRIPTION	DATE	APPROVED
NC	NEW RELEASE PER E.O. A09135	3/8/89	J.A.
A	REVISED PER E.O. A09335	9/6/90	J.A.
B	REVISED PER E.O. P15019	4/4/96	R.D.R.
C	REVISED PER E.O. P18199	6-30-03	<i>ASR</i>



- 5. MATERIAL: SHELL: PLASTIC; COLOR: GRAY
SEAL: RUBBER
- 4. THIS PLUG MATES WITH THE DT04-2P-**** RECEPTACLE.
(**** = ALL MODIFICATIONS) CONSULT FACTORY FOR MODIFICATIONS.

3. FOR CONTACTS AND WIRE PERFORMANCE AND CHARACTERISTICS, SEE ENVELOPE DRAWINGS 0425-015-0000 AND 0425-017-0000.

2. ALL DIMENSIONS ARE ±.025[.64] UNLESS OTHERWISE SPECIFIED.

NOTES: 1. ALL DIMENSIONS ARE INCHES [MILLIMETERS].

CONTACT SIZE	MIN. INSUL. O.D.	MAX. INSUL. O.D.	WIRE RANGE [mm ²] REF ONLY
16	.088 [2.24]	.145 [3.68]	14-20 AWG [2.0-0.5]

SIGNATURE & DATE	
DR	X. SANCHEZ 09 JUN 03
CHK	<i>W. Robinson</i> 6/27/03
PE	<i>Steve Zeman</i> 6/18/03
APPD	<i>SBand</i> 6-18-03
SCALE	NONE WT

2 WAY PLUG
D.T. SERIES

ENVELOPE

CP	MATL. CODE
The Deutsch Company DEUTSCH I.P.D. 3850 INDUSTRIAL AVE. HEMET, CALIF. 92545	
B	DT06-2S
DWG SIZE	CODE 11139 SHEET OF