

**PRELIMINARY PRODUCT SUMMARY**

# SKY77413 Front-End Module for WCDMA (824-849 MHz)

**Applications**

- Digital cellular (WCDMA) handsets

**Features**

- HSDPA (High Speed Downlink Packet Access)
- Low quiescent current - 20 mA
- Low current consumption - 450 mA
- Integrated Power Detector
- 22-pin package
- Small profile - 5 mm x 8 mm x 1.5 mm
- Low voltage - 3.2 V to 4.2 V
- Digital enable pin
- Highly integrated, user friendly solution
- InGaP HBT
- Integrated interstage filter and duplexer
- Requires few external components

**NEW** Skyworks offers lead (Pb)-free "environmentally friendly" packaging that is RoHS compliant (European Parliament for the Restriction of Hazardous Substances).

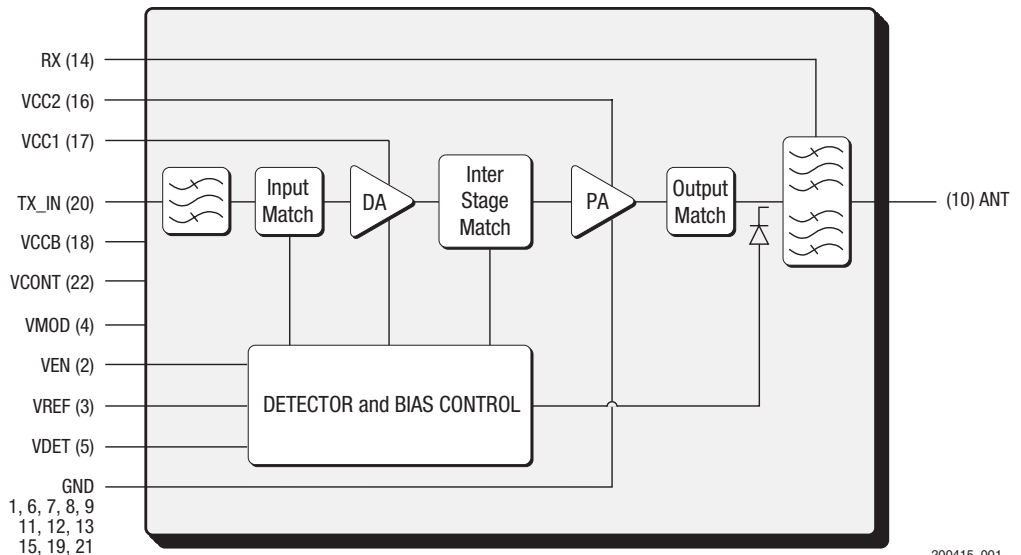


**Description**

The SKY77413 Front-End Module (FEM) is a fully matched, 22-pin surface mount module developed for WCDMA applications. Small and efficient, this WCDMA FEM integrates the interstage filter, the input matching, the power amplifier, the output matching, the power detection, and the duplexer into a single 5 mm x 8 mm x 1.5 mm package.

The SKY77413 meets the stringent spectral requirements of HSDPA (High Speed Downlink Packet Access) up to 23.9 dBm output power. The FEM incorporates an InGaP HBT PA and contains circuitry to optimize power detector performance. Different control pins are available to enhance the performance of the FEM at different power levels.

Integration of the RF front-end greatly simplifies the design of the handset radio as all critical matching between the interstage filter, PA, power detection, and duplexer is optimized within the module. By optimizing the efficiency of the InGaP HBT PA MMIC and reducing the RF loss between the integrated components, this FEM achieves current as low as 450 mA at maximum output power (24.8 dBm) that significantly improves the talk time of the WCDMA handset. This small package uses Skyworks' low cost, multi-laminate substrate technology and is approximately half the size of individually-packaged component solutions. The SKY77413 front-end module can save handset designers significant board space and design-cycle time.



**Figure 1. Functional Block Diagram**

200415\_001

© 2005–2006, Skyworks Solutions, Inc. All Rights Reserved.

Information in this document is provided in connection with Skyworks Solutions, Inc. ("Skyworks") products. These materials are provided by Skyworks as a service to its customers and may be used for informational purposes only. Skyworks assumes no responsibility for errors or omissions in these materials. Skyworks may make changes to its products, specifications and product descriptions at any time, without notice. Skyworks makes no commitment to update the information and shall have no responsibility whatsoever for conflicts, incompatibilities, or other difficulties arising from future changes to its products and product descriptions.

No license, express or implied, by estoppel or otherwise, to any intellectual property rights is granted by this document. Except as may be provided in Skyworks' Terms and Conditions of Sale for such products, Skyworks assumes no liability whatsoever.

THESE MATERIALS ARE PROVIDED "AS IS" WITHOUT WARRANTY OF ANY KIND, EITHER EXPRESS OR IMPLIED, RELATING TO SALE AND/OR USE OF SKYWORKS™ PRODUCTS INCLUDING WARRANTIES RELATING TO FITNESS FOR A PARTICULAR PURPOSE, MERCHANTABILITY, PERFORMANCE, QUALITY OR NON-INFRINGEMENT OF ANY PATENT, COPYRIGHT OR OTHER INTELLECTUAL PROPERTY RIGHT. SKYWORKS FURTHER DOES NOT WARRANT THE ACCURACY OR COMPLETENESS OF THE INFORMATION, TEXT, GRAPHICS OR OTHER ITEMS CONTAINED WITHIN THESE MATERIALS. SKYWORKS SHALL NOT BE LIABLE FOR ANY SPECIAL, INDIRECT, INCIDENTAL, OR CONSEQUENTIAL DAMAGES, INCLUDING WITHOUT LIMITATION, LOST REVENUES OR LOST PROFITS THAT MAY RESULT FROM THE USE OF THESE MATERIALS.

Skyworks™ products are not intended for use in medical, lifesaving or life-sustaining applications. Skyworks' customers using or selling Skyworks™ products for use in such applications do so at their own risk and agree to fully indemnify Skyworks for any damages resulting from such improper use or sale.

The following are trademarks of Skyworks Solutions, Inc.: Skyworks™, the Skyworks symbol, and "Breakthrough Simplicity"™. Product names or services listed in this publication are for identification purposes only, and may be trademarks of third parties. Third-party brands and names are the property of their respective owners.

Additional information, posted at [www.skyworksinc.com](http://www.skyworksinc.com), is incorporated by reference.