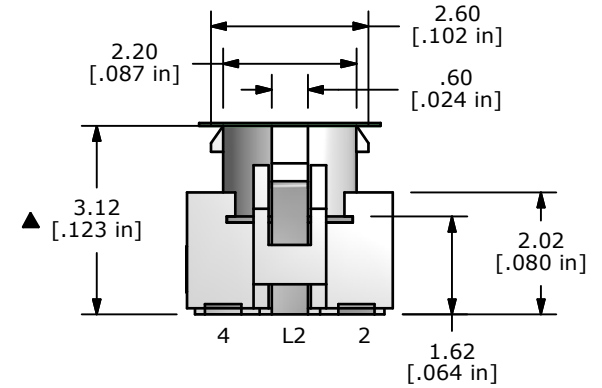
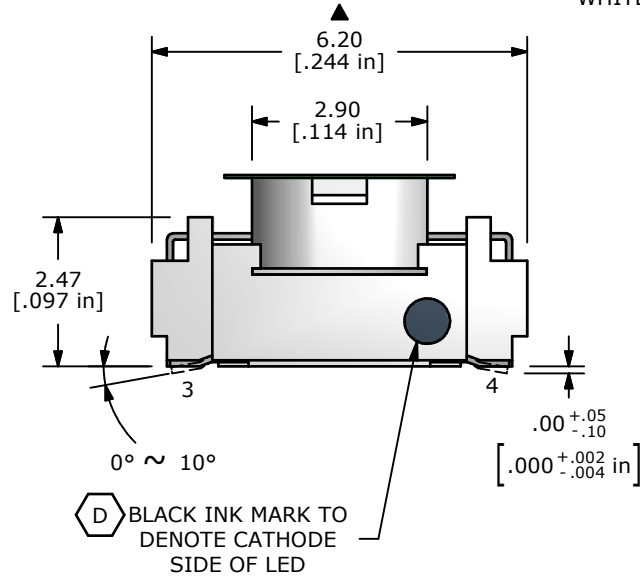
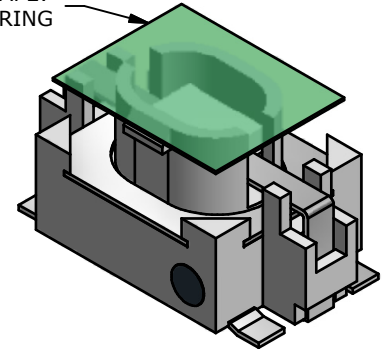


AUTOMATED PICKUP TAPE:
REMOVE AFTER SOLDERING



NOTES:

1. ALL DIMENSIONS IN MM [INCH]
2. GENERAL TOLERANCE: X.X=±0.4
X.XX=±0.25
3. RATING: 12VDC, 50mA MAX.
4. CONTACT RESISTANCE: 500mΩ MAX.
5. INSULATION RESISTANCE: 100MΩ MIN. @ 100VDC
6. TRAVEL: 0.2 ± 0.1 mm
- ▲ 7. DIELECTRIC STRENGTH: 250V AC FOR 1 MIN.
8. OPERATING FORCE: 160 ± 50gf
9. OPERATING TEMPERATURE: -20°C TO 70°C
10. OPERATING LIFE: 100,000 CYCLES.
11. PACKAGING: TAPE & REEL, 2000 PIECES PER REEL (B)
12. ▲ DENOTES CRITICAL PARAMETER
13. 2002/95/EC (ROHS) COMPLIANT

▲ LED SPECS	UNITS	WHITE
FORWARD CURRENT	mA	20
FORWARD VOLTAGE	V	2.8 MIN. - 4.0 MAX
LUMINOUS INTENSITY	mcd	450 TYP

D	21302	INK COLOR WAS WHITE	11/14/13	EBP
C	21166	ADD TAPE	7/1/13	EBP
B	21007	2000 PER REEL WAS 2500 PER REEL	2/6/13	EBP
A	20581	RELEASE FOR PRODUCTION	5/3/12	rc
REV	PCR NO	DESCRIPTION	DATE	BY



TITLE TL3210AF160WQ

SCALE	8:1	DATE	5/3/2012	DR	rc	DWG	B200304	REV	D
-------	-----	------	----------	----	----	-----	---------	-----	---

THE INFORMATION CONTAINED IN THIS DOCUMENT IS PROPRIETARY TO E-SWITCH AND IS NOT TO BE COPIED OR TRANSFERRED