



PRODUCT DATASHEET

Strada series

last update 10/3/2017

DETAILS

Product Number	FP15589_STRADA-2X2MXS-T2
Family	Strada
Type	Pack
Color	clear
Diameter	90x90 mm
Height	12,57 mm
Style	square
Optic Material	
Holder Material	
Fastening	screw
Status	production ready
ROHS Compliant	Yes
Date Updated	10/03/2017



OPTICAL PROPERTIES

LED	Viewing Angle	Light Beam	Efficiency	cd/lm	Connector
XHP70	sim: Asymmetric	Streetlight...	sim: 90 %	sim: 0.720	-
LUXEON M/MX	Asymmetric deg	Streetlight...	91 %	0.910	-
NFMW48xA	sim: asym	Streetlight...	sim: 91 %	sim: 1.120	-

H G F E D C B A

4

3

2

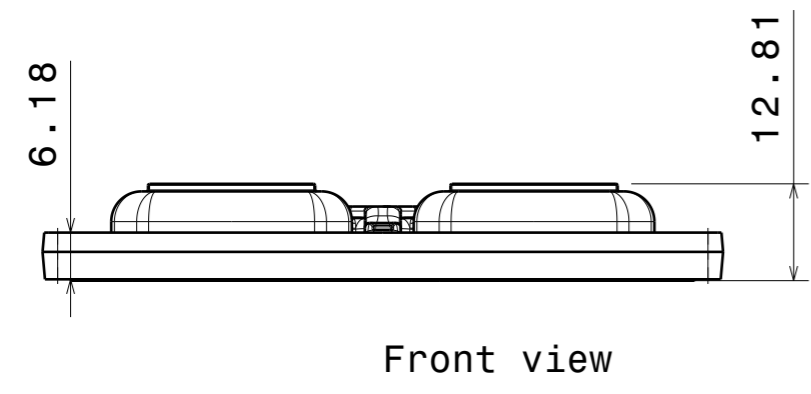
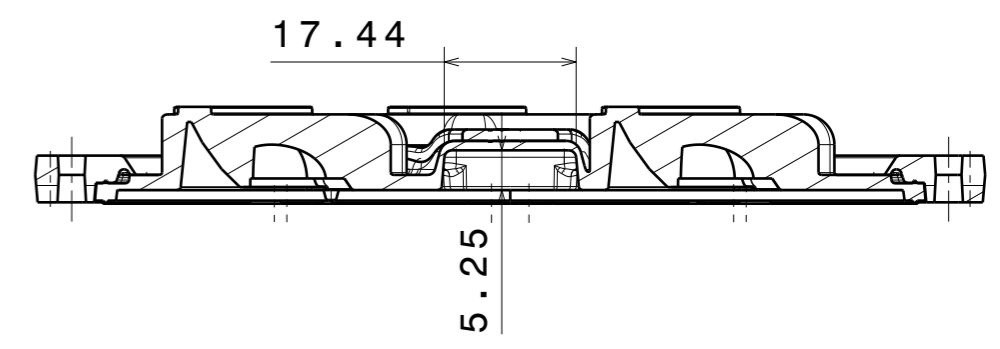
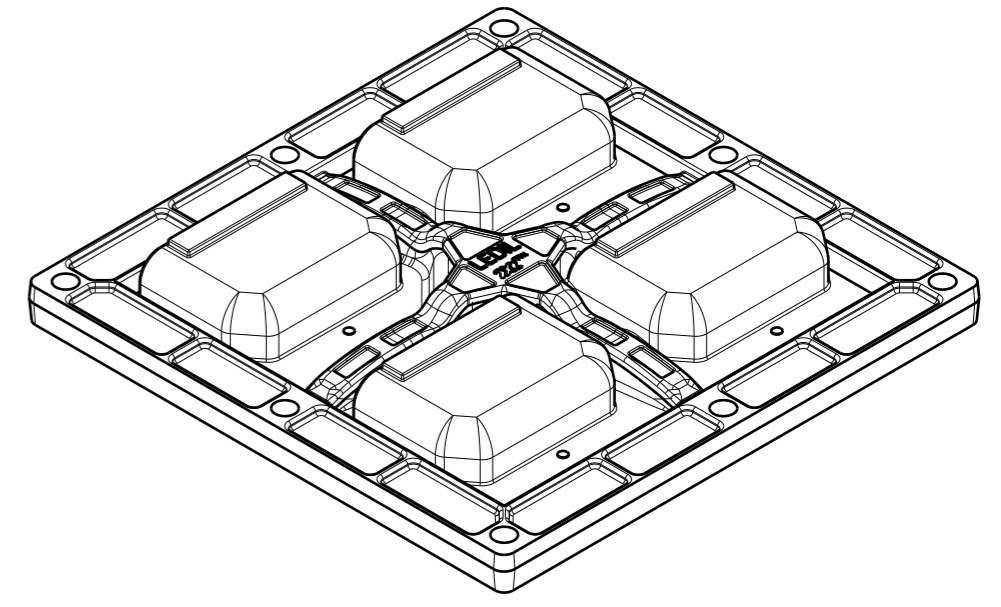
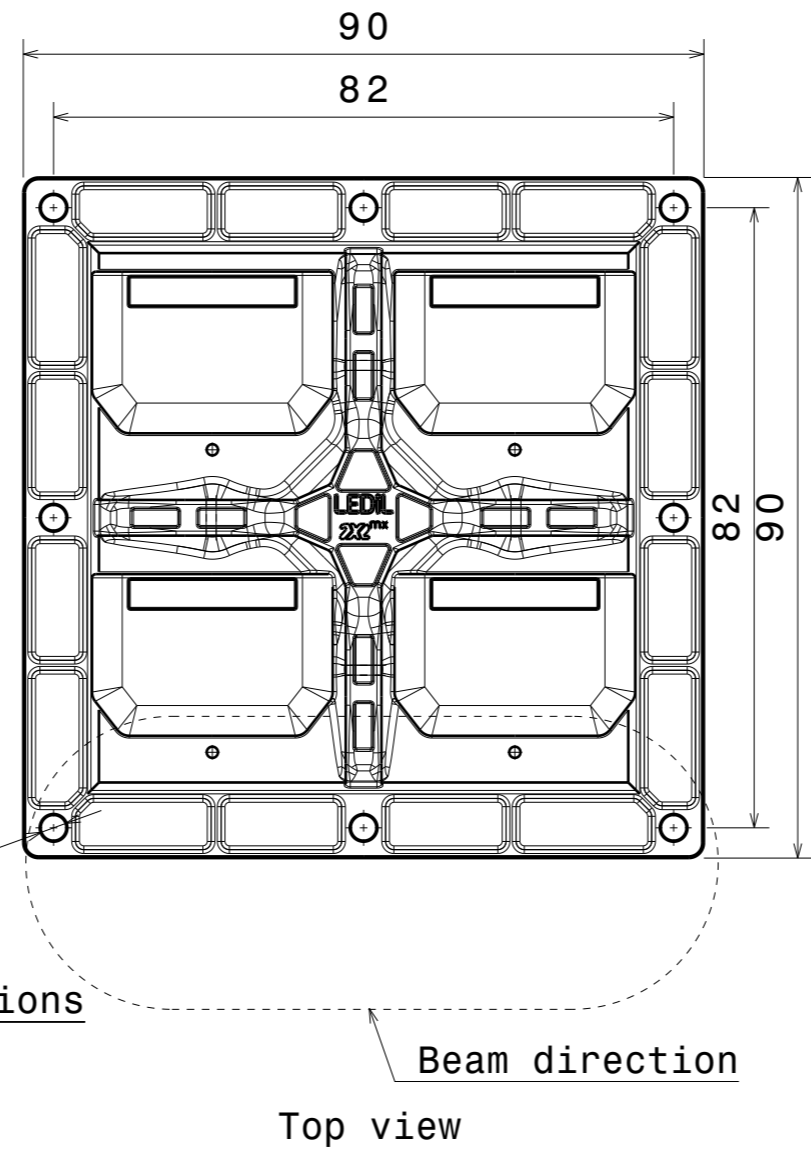
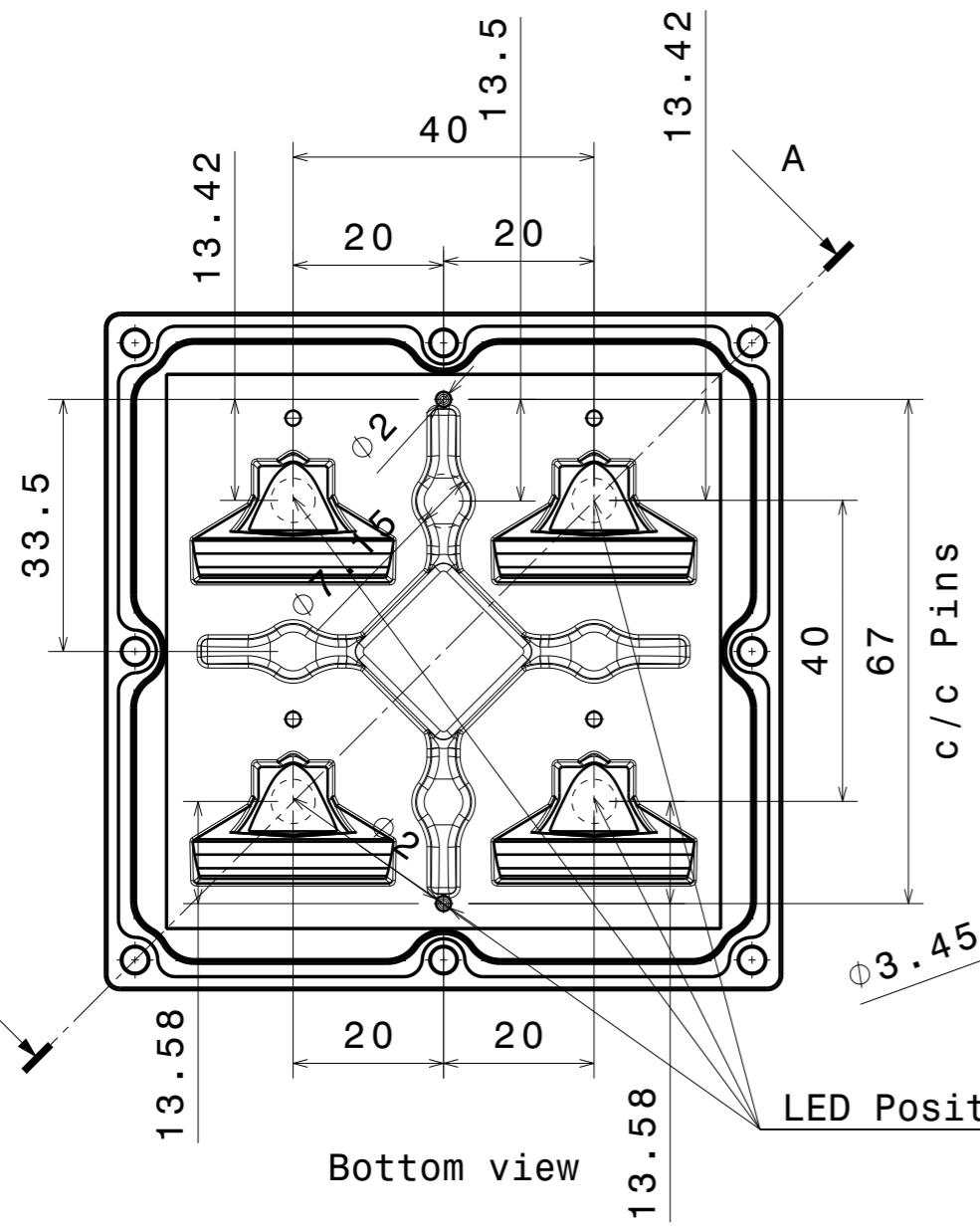
1

4

3

2

1



INDEX	PART NO	DESCRIPTION	MATERIAL	COLOUR
1	F14813	STRADA-2X2MXS-FRAME	PA GF	black
2	F15582	STRADA-2X2MXS-T2	Silicone	

Tolerances if not otherwise shown
 According to DIN ISO 2768-1
 Linear measures:
 Up to 30mm class M, otherwise class C
 According to DIN ISO 2768-2
 Form and position: class L

THIRD ANGLE PROJECTION:

This drawing is the property of LEDiL Oy. It may not be reproduced, copied or communicated without a written agreement with LEDiL Oy.

LEDiL Ledil Oy
 Salorankatu 10
 FIN 24240 SALO
 Finland

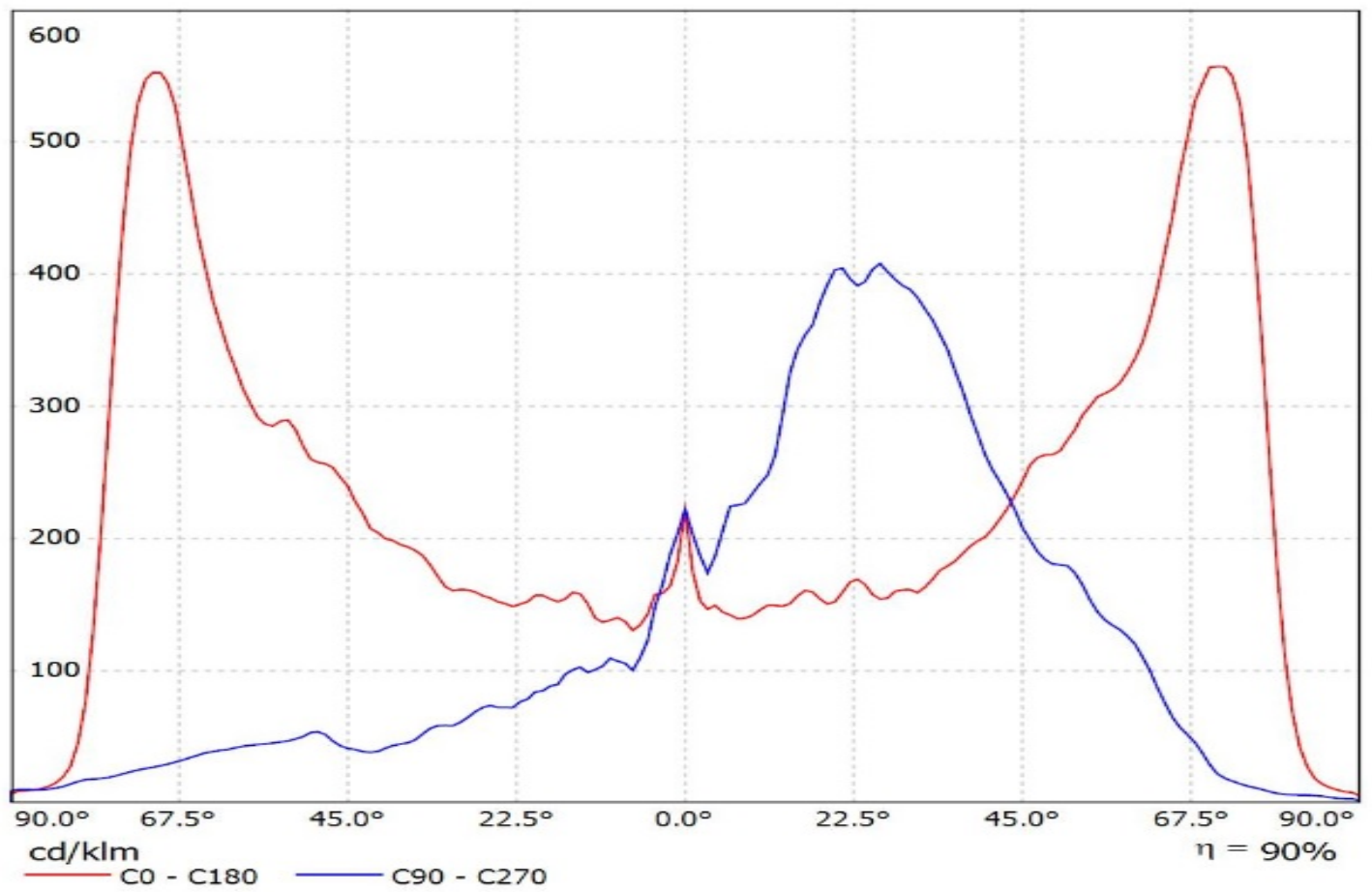
DRAWING TITLE
Mechanical Drawing

SIZE	PART NUMBER
A3	FP15589

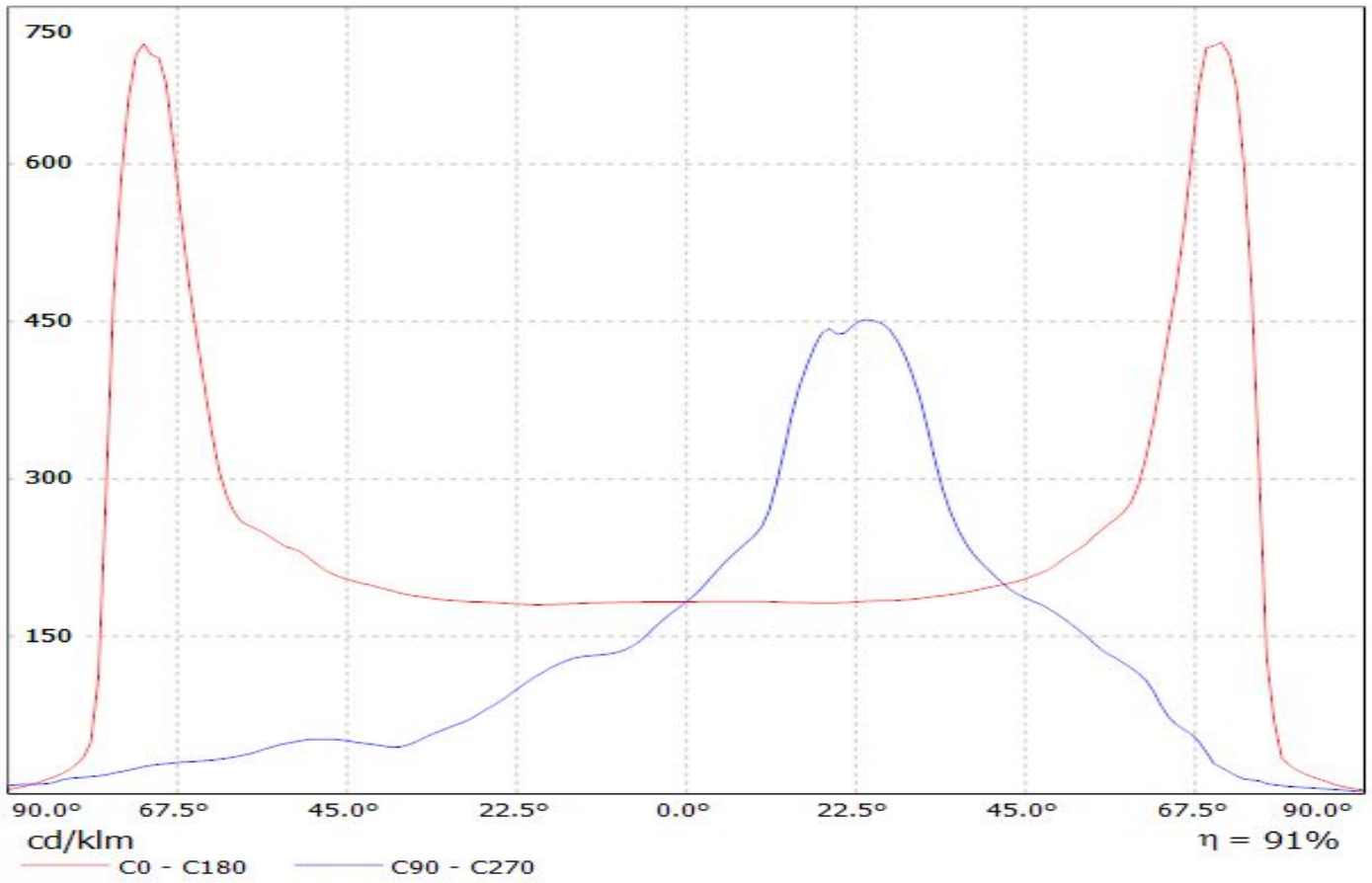
SCALE	1:1	WEIGHT	-	SHEET	1/1
-------	-----	--------	---	-------	-----

H G F E D C B A

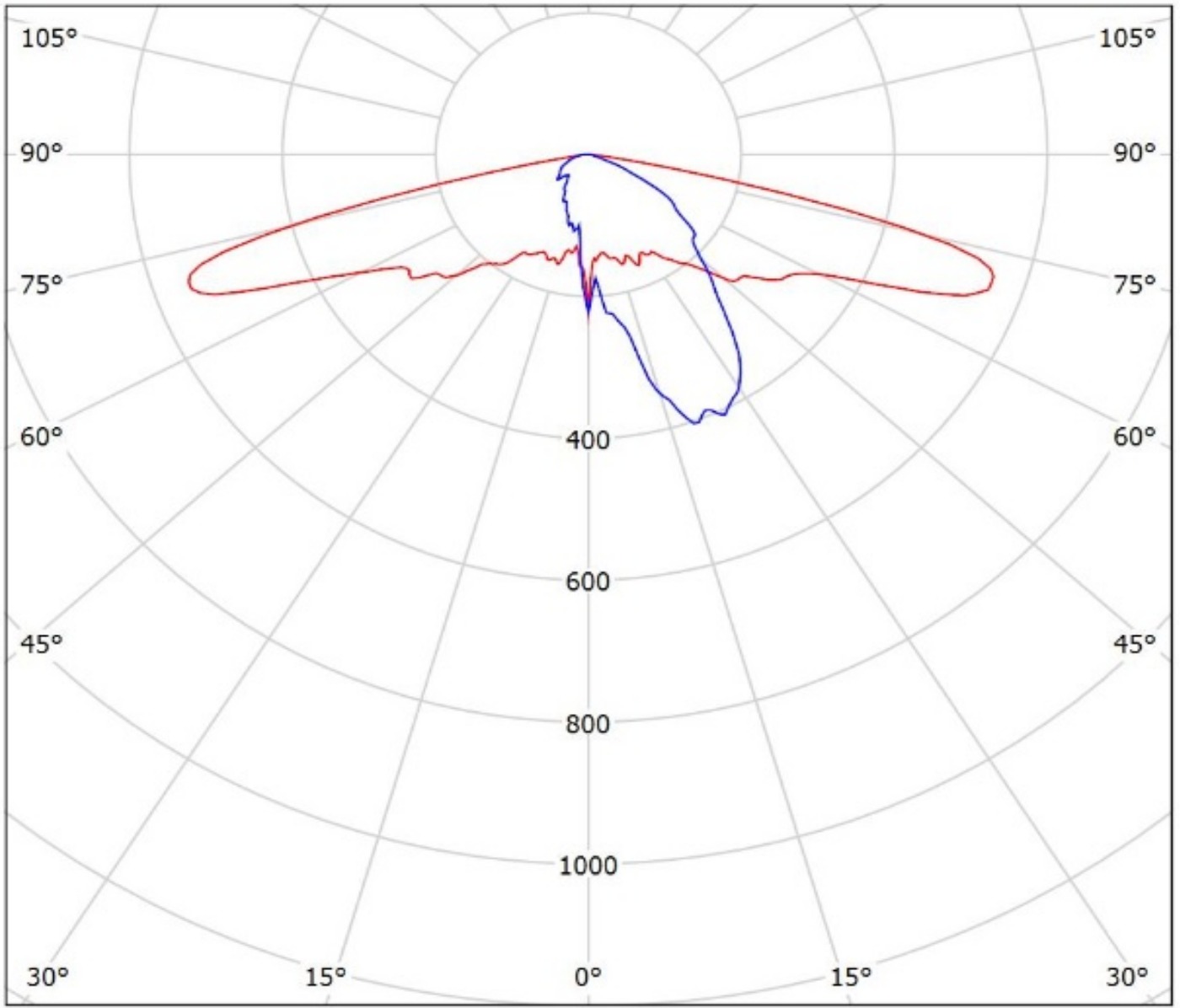
Luminaire: Ledil Oy FP15589_STRADA-2X2MXS-T2_(XHP-70)_SIMULATED
Lamps: 1 x Cree XHP70



Luminaire: Ledil FP15589_STRADA-2X2MXS-T2_(Luxeon_M)
Lamps: 1 x Luxeon_M_(LXM8-SW30)1439.8lm@250mA_P=11.1095W_I=0.25A



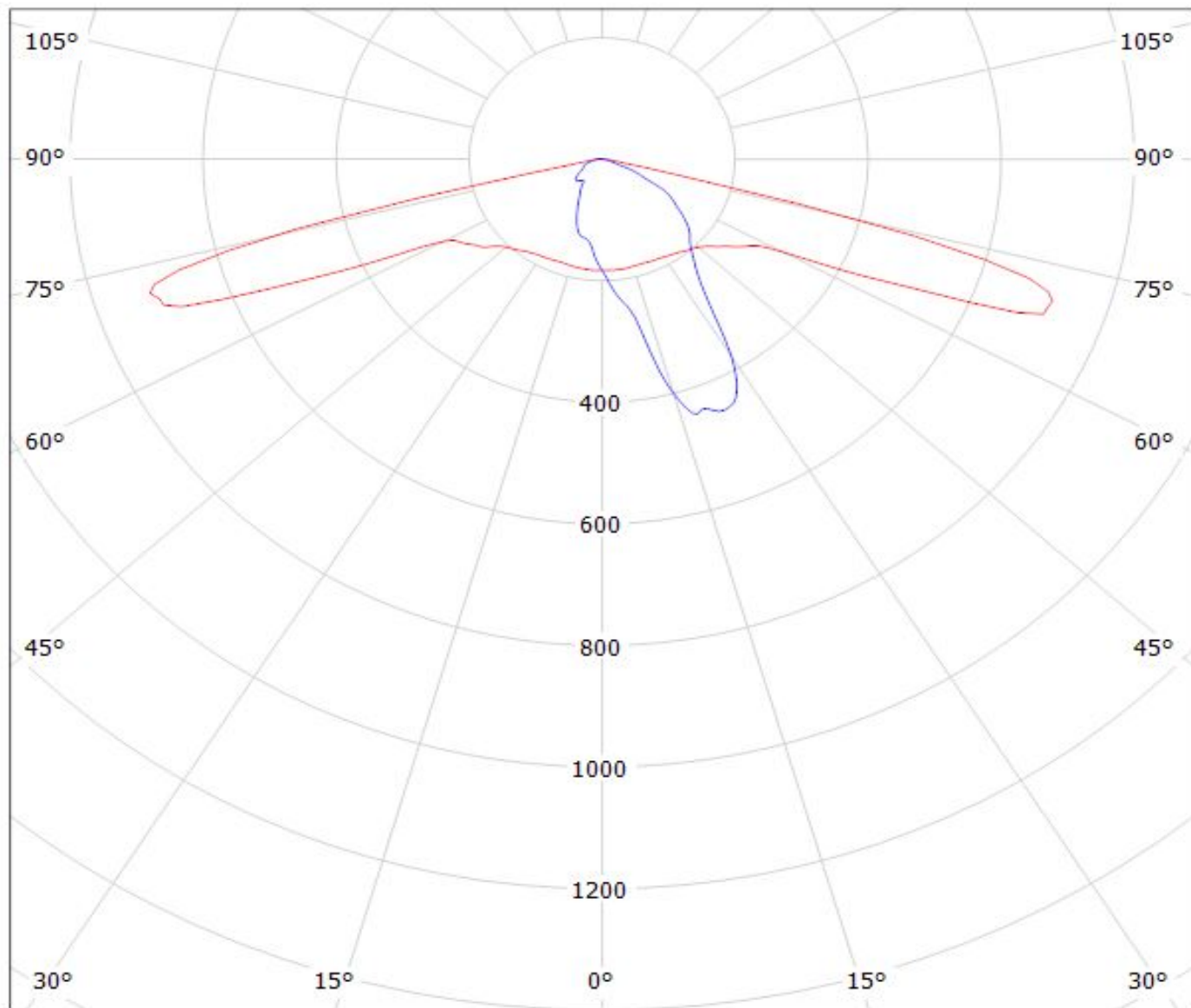
Luminaire: Ledil Oy FP15589_STRADA-2X2MXS-T2_(XHP-70)_SIMULATED
Lamps: 1 x Cree XHP70



cd/klm
— C0 - C180 — C90 - C270

η = 90%

Luminaire: Ledil FP15589_STRADA-2X2MXS-T2_(Luxeon_M)
Lamps: 1 x Luxeon_M_(LXM8-SW30)1439.8lm@250mA_P=11.1095W_η=0.25A

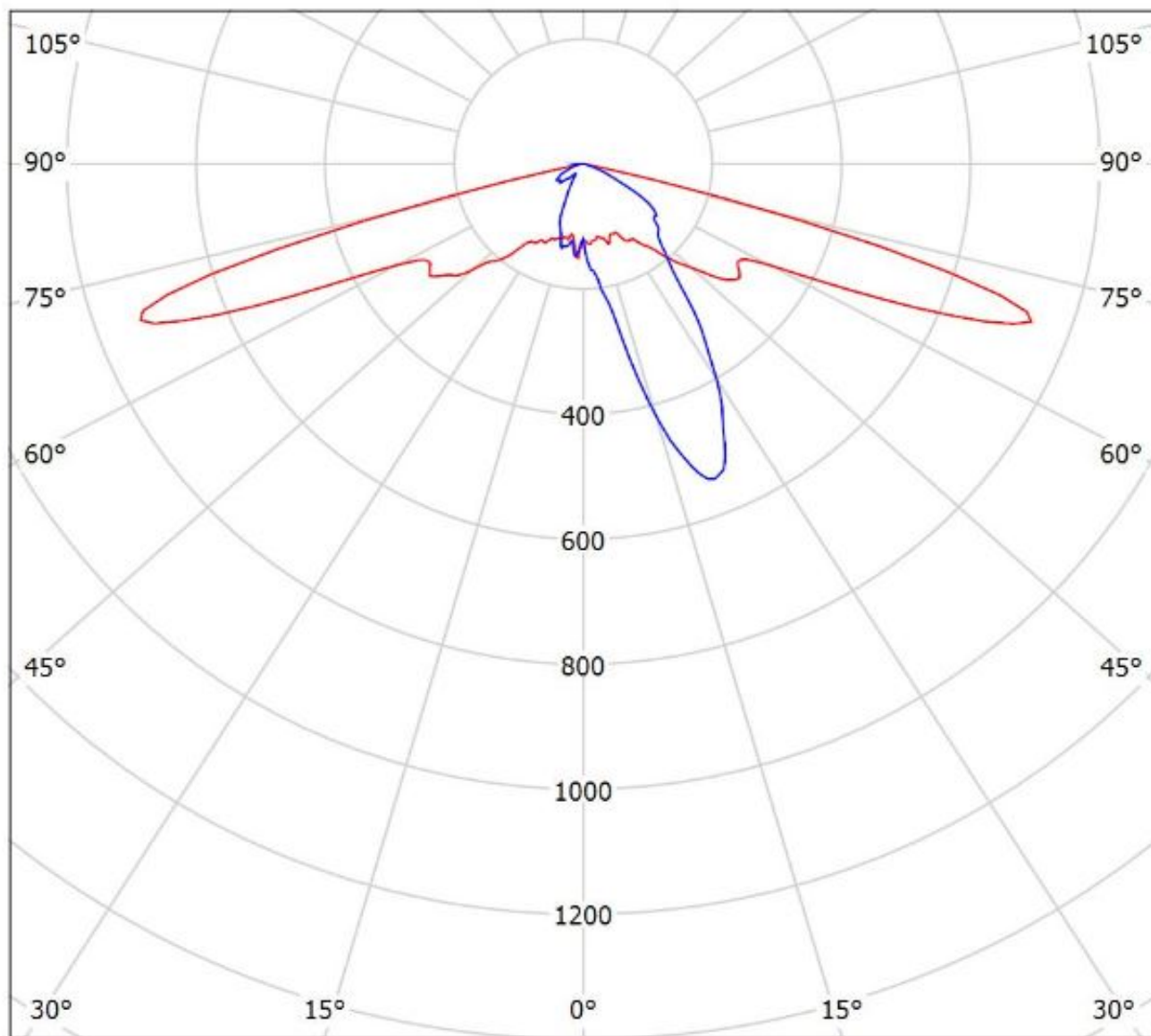


cd/klm

η = 91%

— C0 - C180 — C90 - C270

Luminaire: Ledil Oy FN15589_STRADA-2X2MXS-T2_NFMW488AR_SIMULATED
Lamps: 1 x NICHIA NFMW488AR



cd/klm

— C0 - C180 — C90 - C270

$\eta = 91\%$

NOTE: The typical divergence will be changed by different color, chip size and chip position tolerance. The typical total divergence is the full angle measured where the luminous intensity is half of the peak value.