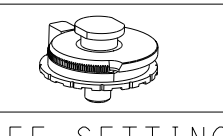
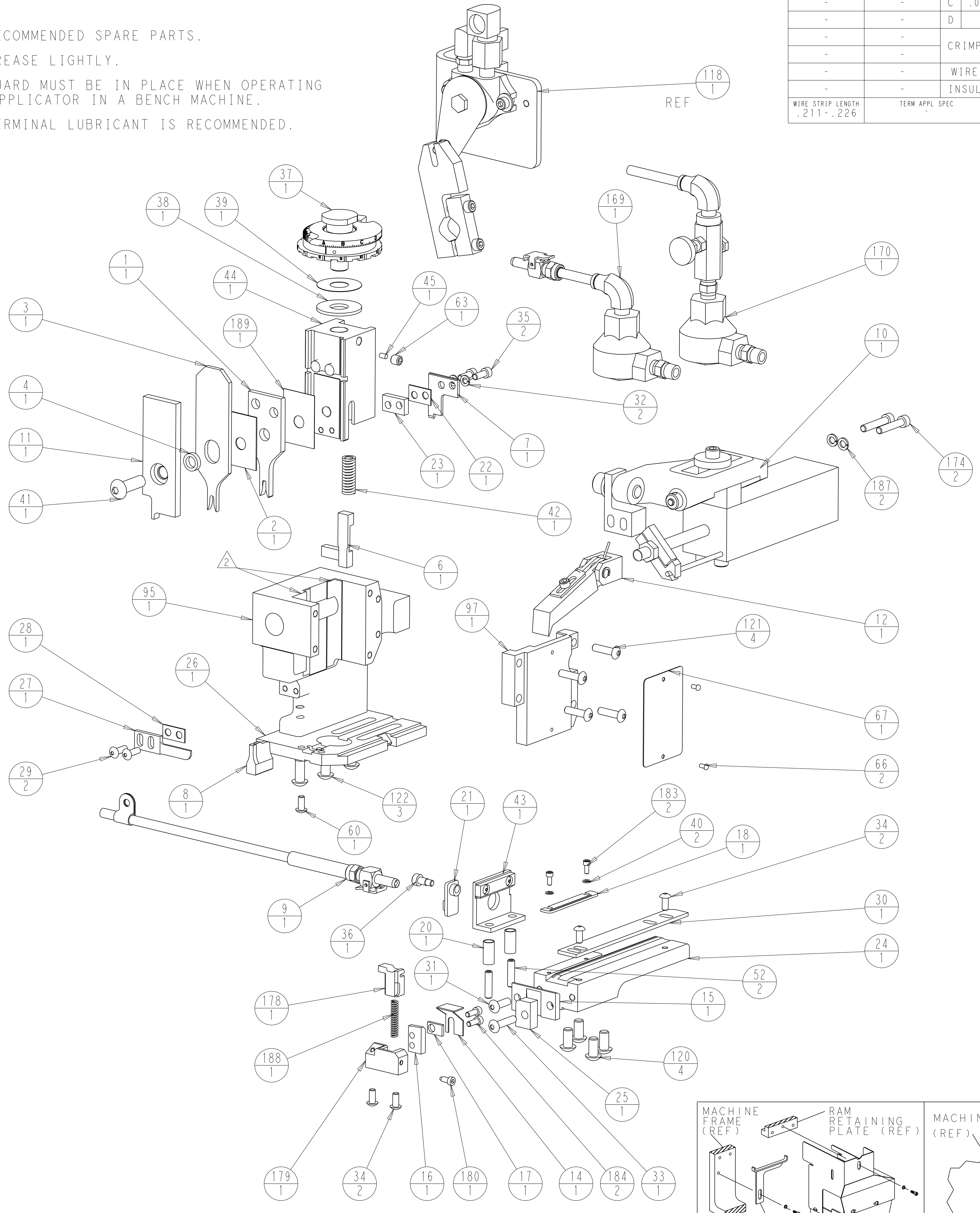


PART NUMBER	REV	FIRST USED	POWER UNIT	FEED TYPE	DESCRIPTION
1855604-1	B	122500-1	LEADMAKER	AIR FEED	CUTS CARRIER
1855604-2	B	565435-5	BENCH MODEL K	AIR FEED	CUTS CARRIER
1855604-3	B	354500-1	BENCH MODEL G	AIR FEED	CUTS CARRIER
7-1855604-7	A	-	-	-	SPARE PARTS

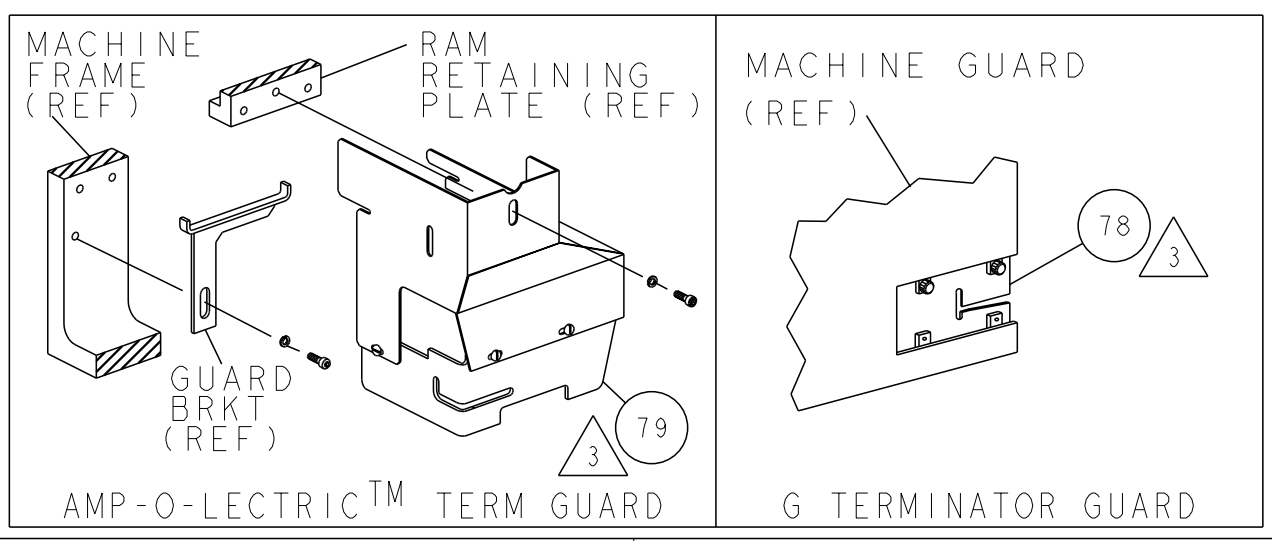
TERMINAL NAME: CONTACT SLEEVE					
TEC PN	MFG PN	TEC TERMINAL - TEC CRIMP SPECS			
2113158	4	BOSCH			
-	-	192849824	3/4	PAD LTR	
-	-	A	CRIMP HEIGHT	WIRE SIZE	REF SETTING*
-	-	B	.065±.002 [1.70±0.05mm]	2.5mm ²	A-5
-	-	C	.061±.002 [1.55±0.05mm]	2.0mm ²	B-4
-	-	D	.055±.002 [1.40±0.05mm]	1.5mm ²	C-6
-	-	-	-	-	-
-	-	-	CRIMP	SIZE	TYPE
-	-	-	WIRE	.095	F
-	-	-	INSUL	.130	O
-	-	-	FEED	1.160	APPL INSTRUCTIONS
-	-	-	WIRE STRIP LENGTH	.211-.226	SET UP GAGE
-	-	-	TERM APPL SPEC	-	408-8039
-	-	-	-	-	458638-1



- △ RECOMMENDED SPARE PARTS.
- △ GREASE LIGHTLY.
- △ GUARD MUST BE IN PLACE WHEN OPERATING APPLICATOR IN A BENCH MACHINE.
- △ TERMINAL LUBRICANT IS RECOMMENDED.



SCALE 3:5



REF	REF	REF	REF	REF	REF	DESCRIPTION	ITEM NO
-	REF	REF	-	..	679532-1	INSERT, GUARD	78
-	1	1	1	-	217238-1	GENERAL INSTRUCTION PKG	72
-	1	1	1	-	4088039	EF APPL INST 408-8039	71
-	1	1	1	-	461264-5	PLATE, IDENTIFICATION	67
-	2	2	2	-	21017-2	SCREW, DRIVE	66
-	1	1	1	-	21009-2	SCR, SET, SELF LOCKING 1/4-20 X .250	63
-	3	3	1	-	22733-8	SCR, BHSC, SELF-LOCKING, 8-32 X .375	60
-	2	2	2	-	5-21006-6	SCR, SET, CUP POINT 10-32 X .750	52
-	1	1	1	-	690191-1	PLUG, NYLON	45
-	1	1	1	-	1338281-7	RAM	44
-	1	1	1	-	679754-1	STOCK DRAG ASSEMBLY	43
-	1	1	1	-	23846-1	SPRING, DIE	42
-	1	1	1	-	7-21002-9	SCR, BTN SKT HD CAP 5/16-24 X 1.00	41
-	2	2	2	-	21024-2	WASHER, SPRG LOCK, REG NO 4	40
-	1	1	1	-	690125-1	SHIM SUB-ASSY	39
-	1	1	1	-	469367-6	SHIM	38
-	1	1	1	-	879103-2	FINE ADJUST HEAD SUBASSY	37
-	1	1	1	-	21989-8	SCR, SKT HD SHLDR 3/16 DIA X .250	36
-	2	2	2	-	9-21000-9	SCR, SKT HD CAP 8-32 X .438	35
-	2	2	4	-	2-21002-1	SCR, BTN SKT HD CAP 8-32 X .375	34
-	1	1	1	-	3-21002-0	SCR, BTN SKT HD CAP 10-32 X .875	33
-	3	3	2	-	21024-4	WASHER, SPRG LOCK, REG NO 8	32
-	1	1	1	-	2-21002-8	SCR, BTN SKT HD CAP 10-32 X .625	31
-	1	1	1	-	454204-3	GUIDE, LOWER STRIP	30
-	2	2	2	-	2-21002-2	SCR, BTN SKT HD CAP 8-32 X .500	29
-	1	1	1	-	1-690451-3	SPACER, STRIPPER	28
-	1	1	1	-	240639-4	STRIPPER (MACHINING)	27
-	1	1	1	-	1320117-1	PLATE, BASE	26
-	1	1	1	-	3-690481-5	SPACER, HOLD DOWN	25
-	1	1	1	-	2161152-1	PLATE, STRIP GUIDE	24
-	1	1	1	-	5-240641-0	SPACER	23
-	1	1	1	-	1-240641-9	SPACER	22
-	1	1	1	-	356835-1	LEVER, DRAG RELEASE	21
-	2	2	2	-	22281-9	SPRING, COMPRESSION	20
-	1	1	1	-	690438-1	FRONT STRIP GUIDE	18
-	1	1	1	-	4-240645-8	SPACER, SHEAR PLATE	17
△	1	1	1	1	2161155-1	PLATE, SHEAR	16
△	1	1	1	1	240833-1	PLATE, REAR SHEAR	15
-	1	1	1	1	1633998-1	GUARD, CHIP MINI APPLICATOR	14
-	1	1	1	1	460680-1	FEED FINGER ASSEMBLY	12
-	1	1	1	1	1-455889-4	DEPRESSOR, SHEAR	11
-	1	1	1	1	460277-2	AIR FEED ASSY	10
-	1	1	1	1	318848-1	AIR BLAST ASSEMBLY	9
△	1	1	1	1	1-853224-2	ANVIL, COMBINATION	8
△	1	1	1	1	2161156-1	BLADE, SLUG, RIGHT HAND	7
-	1	1	1	1	9-455892-0	HOLD DOWN, TERMINAL	6
-	1	1	1	1	238011-2	BLOCK, CRIMPER SPACER	4
-	1	1	1	1	1-456135-6	CRIMPER, INSULATION O PREMIUM	3
-	1	1	1	1	455888-6	SPACER, CRIMPER	2
△	1	1	1	1	4-1633609-3	CRIMPER, WIRE	1

FINISH	DIMENSIONS:	TOLERANCES UNLESS OTHERWISE SPECIFIED:	APVD	SCALE	SIZE	DRAWING NO	SHEET	REV
-	IN	0 PLC ±.001 1 PLC ±.001 2 PLC ±.001 3 PLC ±.001 4 PLC ±.001	T. ELBIN	1:2	A1	1855604	1 of 2	B
REVISION RECORD			DATE		DWN		APVD	
B ECR-12-009161			17MAY2012		MY GB			
A RELEASED			11APRIL2011		KS TE			

THIS DRAWING IS A CONTROLLED DOCUMENT
 DIMENSIONING AND TOLERANCING PER ASME Y14.5M-2009
 THIS INFORMATION IS CONFIDENTIAL AND PROPRIETARY TO TFC ELECTRONICS CORPORATION
 IT IS TO BE KEPT CONFIDENTIAL AND NOT TO BE DISCLOSED TO ANYONE
 OTHER THAN THE PERSONNEL, WITHOUT AUTHORIZATION FROM TFC ELECTRONICS CORPORATION
 3388-B 13/11
 Prt/ENGINEER DRAWING

D
C
B

-	1	1	1	-	455888-1	SPACER, CRIMPER	189
-	1	1	1	-	6-22279-6	SPRING, COMPRESSION	188
-	2	2	2	-	21024-5	WASHER, SPRG LOCK, REG NO 10	187
-	2	2	2	-	1-21000-9	SCR, SKT HD CAP 6-32 X .375	184
-	2	2	2	-	1-21000-3	SCR, SKT HD CAP 4-40 X .250	183
-	1	1	1	-	690461-2	STOP, SHEAR	180
-	1	1	1	-	2161154-1	HOUSING, SHEAR, FLOATING	179
1	1	1	1	-	2161153-1	FLOATING SHEAR, FRONT	178
-	2	2	2	-	3-21000-9	SCR, SKT HD CAP 10-32 X 1.000	174
-	-	1	-	-	692655-5	AIR FEED VALVE ASSEMBLY	170
-	1	-	1	-	692655-7	AIR FEED VALVE ASSEMBLY	169
-	3	3	3	-	2-22733-8	SCR, BHSC, SELF-LOCKING, 1/4-20 X .625	122
-	4	4	4	-	2-21002-9	SCR, BTN SKT HD CAP 10-32 X .750	121
-	4	4	4	-	3-21002-3	SCR, BTN SKT HD CAP 1/4-20 X .500	120
-	-	REF	-	..	692655-6	AIR FEED VALVE ASSEMBLY	118
-	1	1	1	-	454220-1	CAP, RAM	97
-	1	1	1	-	453736-1	HOUSING, APPLICATOR	95
-	REF	REF	-	..	455745-1	GUARD WINDOW	79



A

LOC
A
DIST
00

P	LTR	REVISION RECORD	DATE	DN	APVD	SCALE	SIZE	DRAWING NO	SHEET	OF	REV
-	-	SEE SHEET 1	-	-	-	1:2	A1	1855604	2	2	B

0 PLC ±
1 PLC ±
2 PLC ±.01
3 PLC ±.001
4 PLC ±.0001

ANGLES: 0° 30'
SURFACE TEXTURE 125

DIMENSIONS:
IN

TOLERANCES UNLESS OTHERWISE SPECIFIED:

DN K. STAKEM 25OCT2010

CHK G. BAILEY 25OCT2010

APVD T. ELBIN 25OCT2010

NAME FINE ADJUST END FEED HDM APPLICATOR

SCALE 1:2 SIZE A1 DRAWING NO 1855604 SHEET 2 OF 2 REV B