

**ebm-papst St. Georgen GmbH & Co. KG**

Hermann-Papst-Str. 1
 D-78112 St. Georgen
 Phone +49 (0) 7724 81-0
 Fax +49 (0) 7724 81-1309
 info2@de.ebmpapst.com
 www.ebmpapst.com

Nominal data

| Type | 4318 NN | |
|--------------------------|-------------------|----------|
| Nominal voltage | VDC | 48 |
| Nominal voltage range | VDC | 36 .. 60 |
| Speed (rpm) | min ⁻¹ | 2700 |
| Power consumption | W | 4.3 |
| Min. ambient temperature | °C | -20 |
| Max. ambient temperature | °C | 75 |
| Air flow | m ³ /h | 190 |
| Sound power level | B | 5.4 |
| Sound pressure level | dB(A) | 43 |

ml = Max. load · me = Max. efficiency · fa = Free air · cs = Customer specification · ce = Customer equipment
 Subject to change

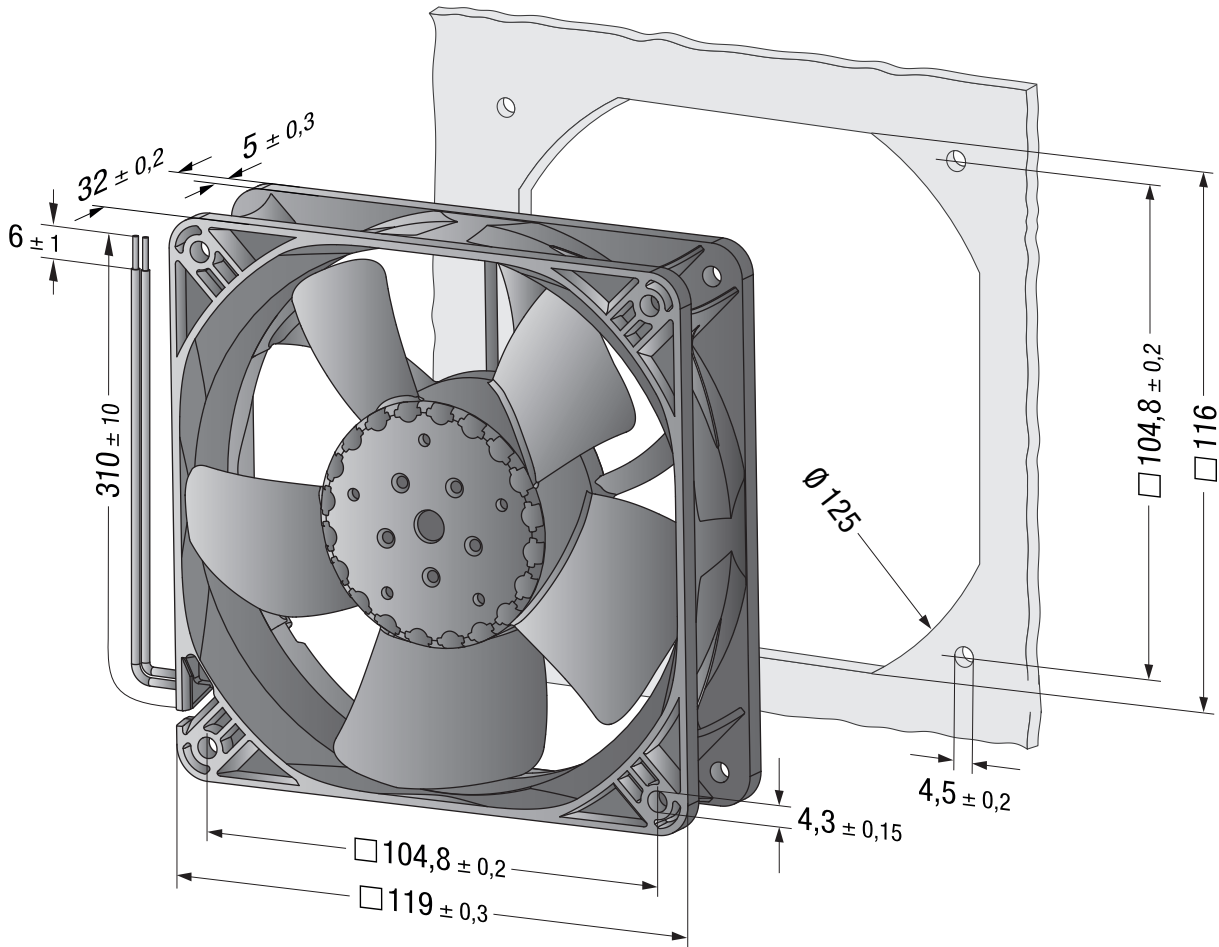


Technical description

| | |
|------------------------------------------------|------------------------------------|
| Weight | 0.25 kg |
| Dimensions | 119 x 119 x 32 mm |
| Impeller material | Glass-fiber reinforced PA plastic |
| Housing material | Glass-fiber reinforced PBT plastic |
| Part no. | 9293510723 |
| Airflow direction | Exhaust over struts |
| Direction of rotation | Clockwise, viewed toward rotor |
| Bearing | Ball bearing |
| Service life L10 at 40 °C | 72.500 h |
| Service life L10 at maximum temperature | 30.000 h |
| Cable | With leads AWG 24, TR 64 |



Product drawing



Curves

