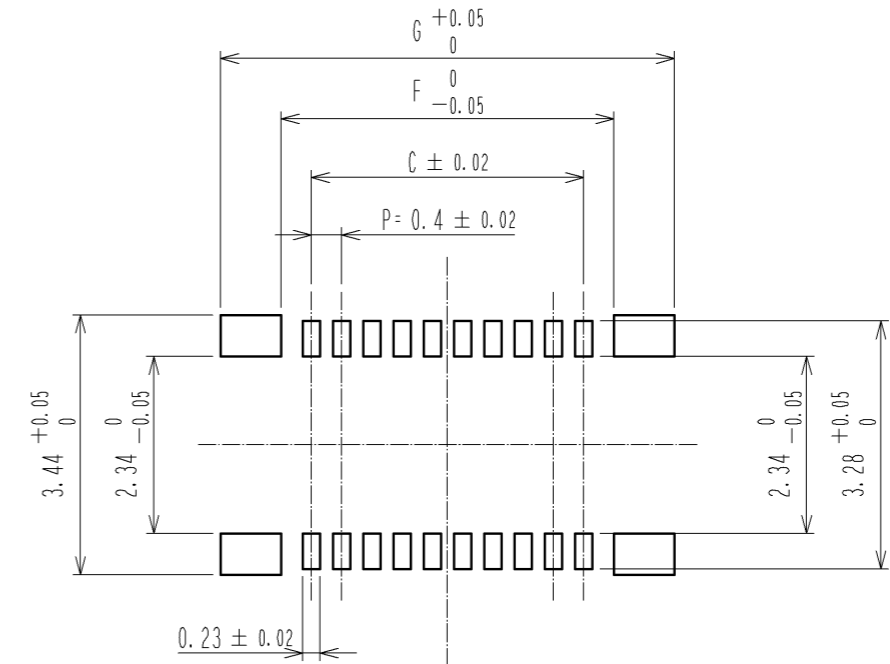
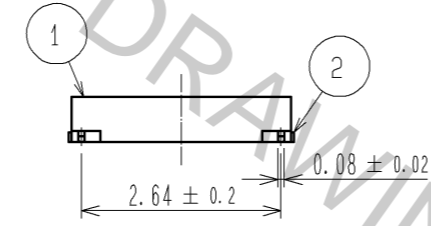
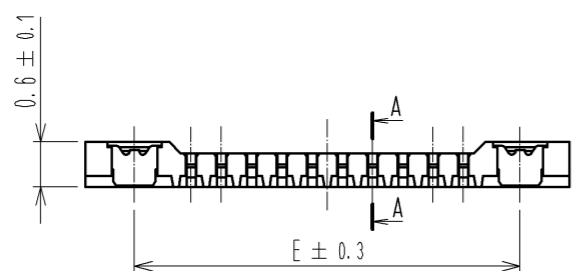
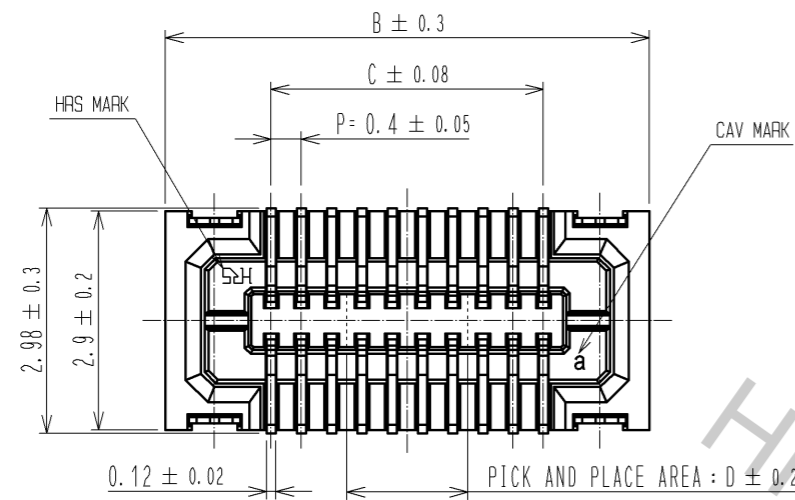
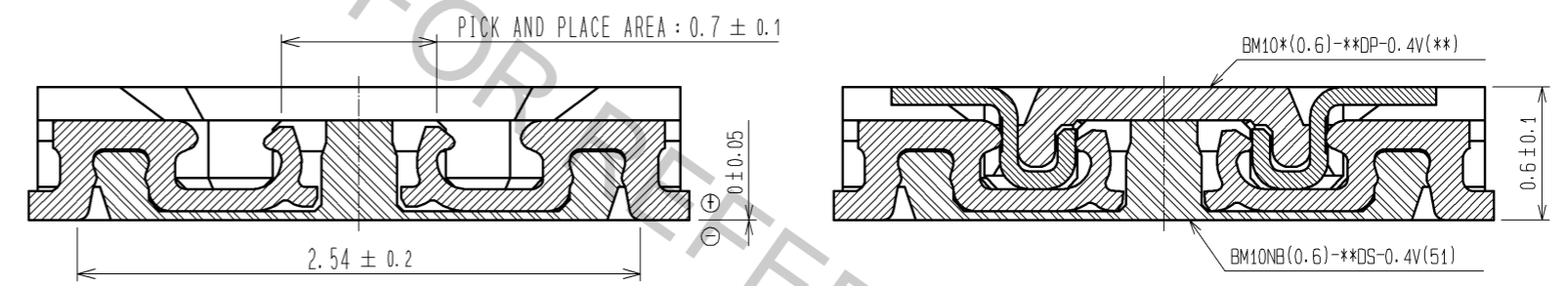


RECOMMENDED PATTERN



RECOMMENDED SOLDER PASTE THICKNESS : 120μm
 RECOMMENDED METAL MASK OPENING RATIO : 100%

ENGAGEMENT FIGURE

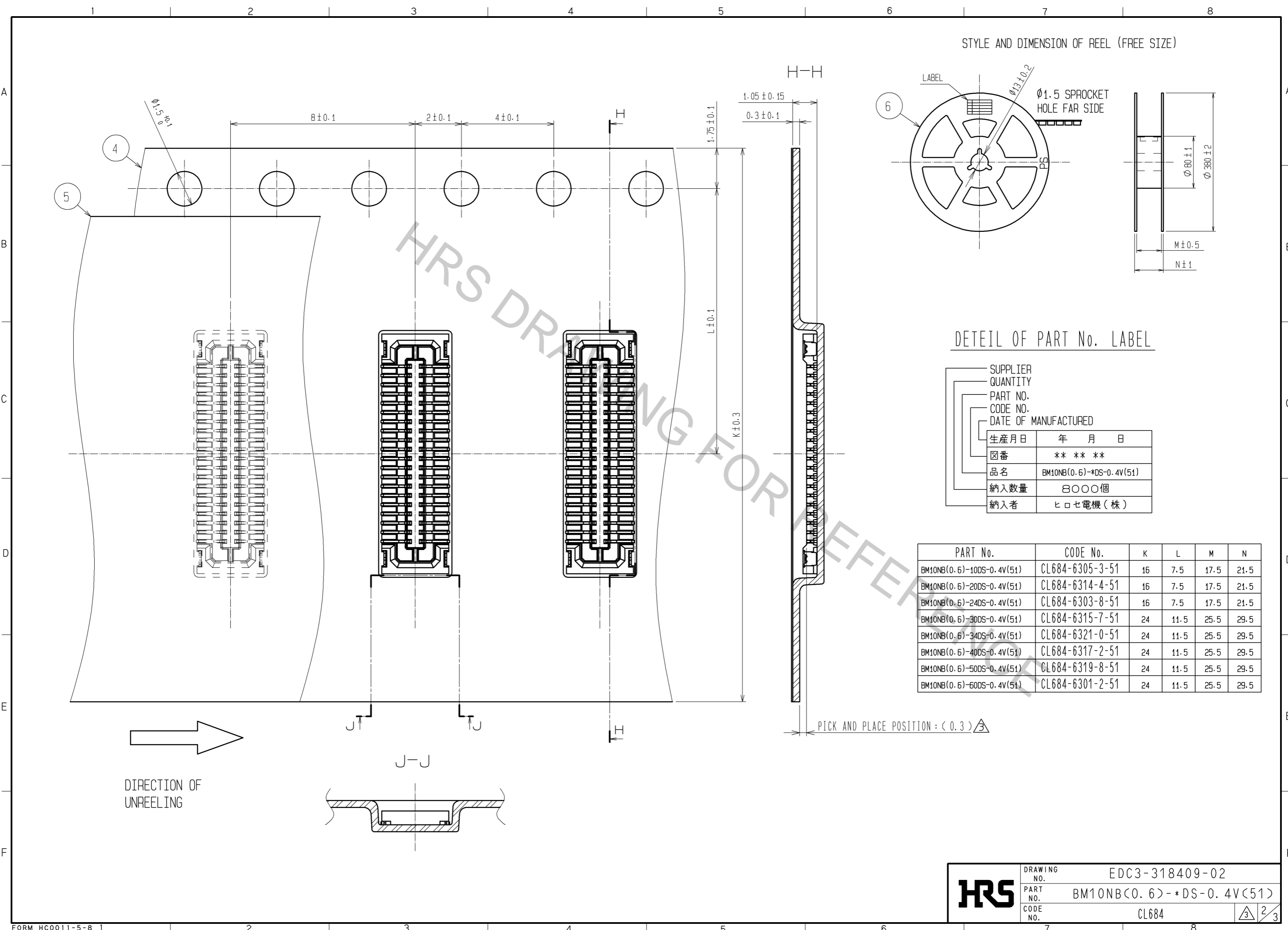


- NOTE**
- 1. ALL LEADS CO-PLANARITY SHALL BE 0.1mm MAX.
 - 2. PER REEL:8000 CONECTORS.
 - 3. AT THE BEGINING OF THE REEL,100mm AT MIN SHALL BE EMPTY POCKETS.
AT THE END OF REEL,160 mm AT MIN SHALL BE EMPTY.
 - 4 CONTACT PLATING SPECIFICATIONS.
CONTACT AREA:GOLD 0.05μm MIN.
SMT LEAD :GOLD 0.05μm MIN.
UNDERPLATING :NICKEL 1μm MIN.
(SURFACE : SEALING)
 - 5 METAL HOLD DOWN PLATING SPECIFICATIONS.
MOUNTING AREA:GOLD 0.05μm MIN.
UNDERPLATING :NICKEL 1μm MIN.
 - 6. PEEL FORCE REFERS TO JIS C 0806.
 - 7 REFER TO PAGE3 FOR EMBOSS CASE OF LESS THAN OR EQUAL TO 20 PINS CONNECTORS.
 - 8 CONCAVE FOR STABILIZING COPLANARITY MIGHT BE SET UP AT THE INDICATED POSITION.
 - 9 PLEASE CONTACT US IN CASE YOU WILL MAKE DIFFERENT SETTINGS FROM OUR RECOMMENDATION.

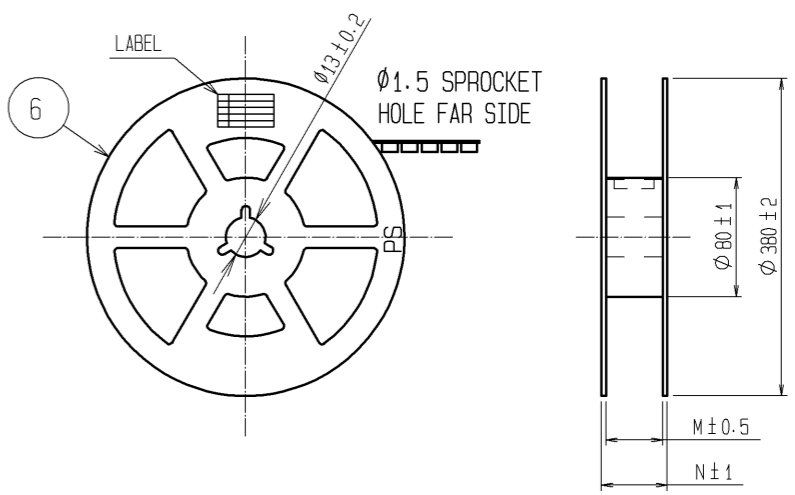
PART No.	CODE No.	B	C	D	E	F	G
BM10NB(0.6)-10DS-0.4V(51)	CL684-6305-3-51	4.40	1.6	0.8	3.1	2.18	4.02
BM10NB(0.6)-20DS-0.4V(51)	CL684-6314-4-51	6.40	3.6	1.6	5.1	4.18	6.02
BM10NB(0.6)-24DS-0.4V(51)	CL684-6303-8-51	7.20	4.4	2.0	5.9	4.98	6.82
BM10NB(0.6)-30DS-0.4V(51)	CL684-6315-7-51	8.40	5.6	2.0	7.1	6.18	8.02
BM10NB(0.6)-34DS-0.4V(51)	CL684-6321-0-51	9.20	6.4	2.4	7.9	6.98	8.82
BM10NB(0.6)-40DS-0.4V(51)	CL684-6317-2-51	10.40	7.6	2.4	9.1	8.18	10.02
BM10NB(0.6)-50DS-0.4V(51)	CL684-6319-8-51	12.40	9.6	2.8	11.1	10.18	12.02
BM10NB(0.6)-60DS-0.4V(51)	CL684-6301-2-51	14.40	11.6	3.2	13.1	12.18	14.02

3	PHOSPHOR BRONZE	5	6	PS	PLASTIC REEL (BLACK)	
2	PHOSPHOR BRONZE	4	5	POLYESTER	CLEAR(COVER TAPE)	
1	LCP	UL94V-0, BLACK	4	PS	CLEAR(EMBOSSED CARRIER TAPE)	
NO.	MATERIAL	FINISH, REMARKS	NO.	MATERIAL	FINISH, REMARKS	
UNITS mm	SCALE 10:1	COUNT 6	DESCRIPTION OF REVISIONS DIS-H-005435	DESIGNED KR. AJITO	CHECKED TS. MIYAZAKI	DATE 11.01.07
APPROVED : KH. IKEDA		08.07.16		DRAWING NO. EDC3-318409-02		
CHECKED : KY. MIDORIKAWA		08.07.16		PART NO. BM10NB(0.6)-*DS-0.4V(51)		
DESIGNED : YH. MICHIDA		08.07.16		CODE NO. CL684		
DRAWN : YH. MICHIDA		08.07.16		1/3		

Apr.1.2017 Copyright 2017 HIROSE ELECTRIC CO., LTD. All Rights Reserved.



STYLE AND DIMENSION OF REEL (FREE SIZE)



DETAIL OF PART No. LABEL

SUPPLIER	
QUANTITY	
PART NO.	
CODE NO.	
DATE OF MANUFACTURED	
生産月日	年 月 日
図番	** ** *
品名	BM10NB(0.6)*DS-0.4V(51)
納入数量	8000個
納入者	ヒロセ電機(株)

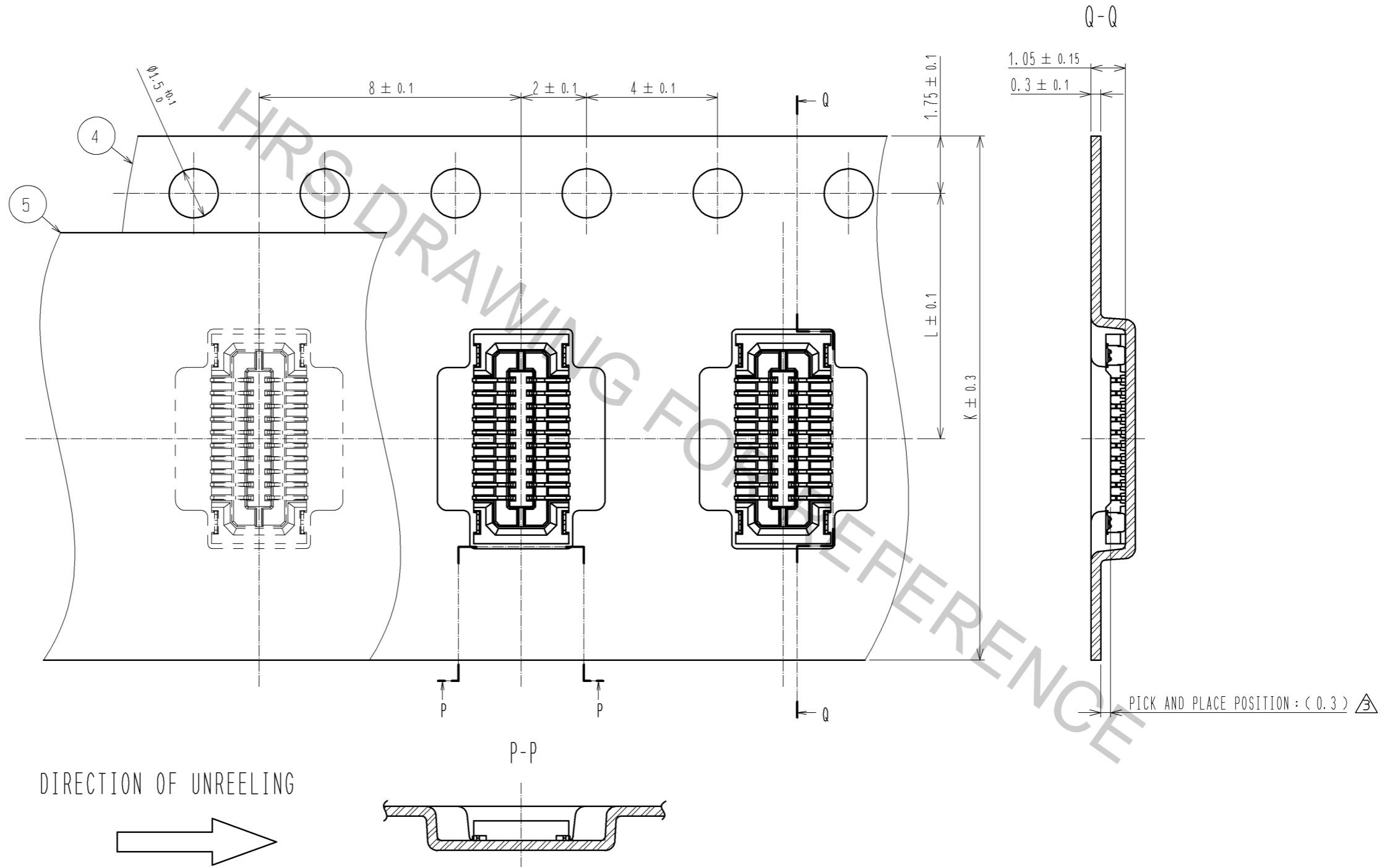
PART No.	CODE No.	K	L	M	N
BM10NB(0.6)-10DS-0.4V(51)	CL684-6305-3-51	16	7.5	17.5	21.5
BM10NB(0.6)-20DS-0.4V(51)	CL684-6314-4-51	16	7.5	17.5	21.5
BM10NB(0.6)-24DS-0.4V(51)	CL684-6303-8-51	16	7.5	17.5	21.5
BM10NB(0.6)-30DS-0.4V(51)	CL684-6315-7-51	24	11.5	25.5	29.5
BM10NB(0.6)-34DS-0.4V(51)	CL684-6321-0-51	24	11.5	25.5	29.5
BM10NB(0.6)-40DS-0.4V(51)	CL684-6317-2-51	24	11.5	25.5	29.5
BM10NB(0.6)-50DS-0.4V(51)	CL684-6319-8-51	24	11.5	25.5	29.5
BM10NB(0.6)-60DS-0.4V(51)	CL684-6301-2-51	24	11.5	25.5	29.5

PICK AND PLACE POSITION : (0.3)

DIRECTION OF UNREELING

HRS	DRAWING NO.	EDC3-318409-02		
	PART NO.	BM10NB(0.6)*DS-0.4V(51)		
	CODE NO.	CL684		

7 EMBOSS CASE OF LESS THAN OR EQUAL TO 20 PINS CONNECTORS.



HRS	DRAWING NO.	EDC3-318409-02
	PART NO.	BM10NB(0.6)-*DS-0.4V(51)
	CODE NO.	CL684
		\triangle 3/3