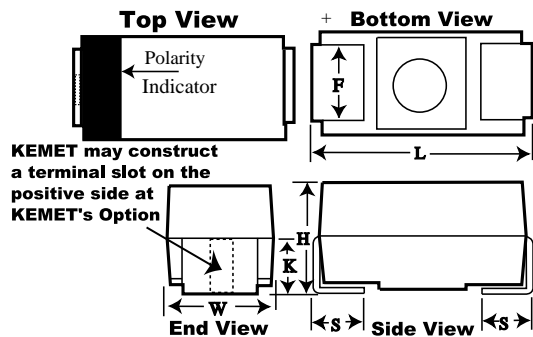


B45196H, Tantalum, MnO2 Tantalum, 4.7 uF, 10%, 10 V, SMD, Molded, 4.5 Ohms, 3216, Height Max = 1.8mm



General Information	
Supplier:	KEMET
Series:	B45196H
Dielectric:	MnO2 Tantalum
Style:	SMD Chip
Description:	SMD, Molded
Features:	Automotive
RoHS:	Yes
Termination:	Tin
Notes:	Obsolete

Dimensions	
Footprint	3216
L	3.2mm +/-0.2mm
W	1.6mm +/-0.2mm
H	1.6mm +/-0.2mm
S	0.8mm +/-0.3mm
F	1.2mm +/-0.1mm
K	1.3mm TYP

Packaging Specifications	
Packaging:	T&R, 178mm
Packaging Quantity:	2000

Specifications	
Capacitance:	4.7 uF
Capacitance Tolerance:	10%
Voltage DC:	10 VDC (85C), 6.7 VDC (125C)
Temperature Range:	-55/+125C
Rated Temperature:	85C
Dissipation Factor:	6%
Failure Rate:	N/A
Resistance:	4.5 Ohms (100kHz)
Current:	129.1 mAmps (25C), 116.2 mAmps (85C), 51.6 mAmps (125C)
Leakage Current:	0.5 uA