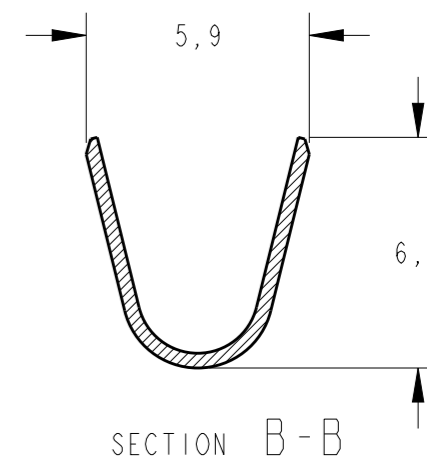
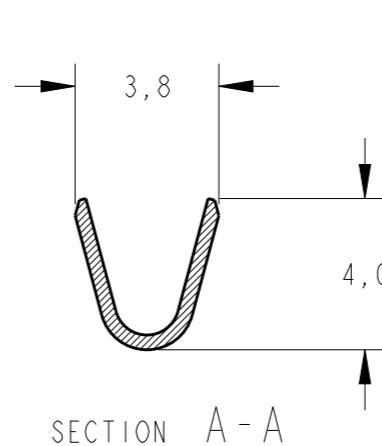
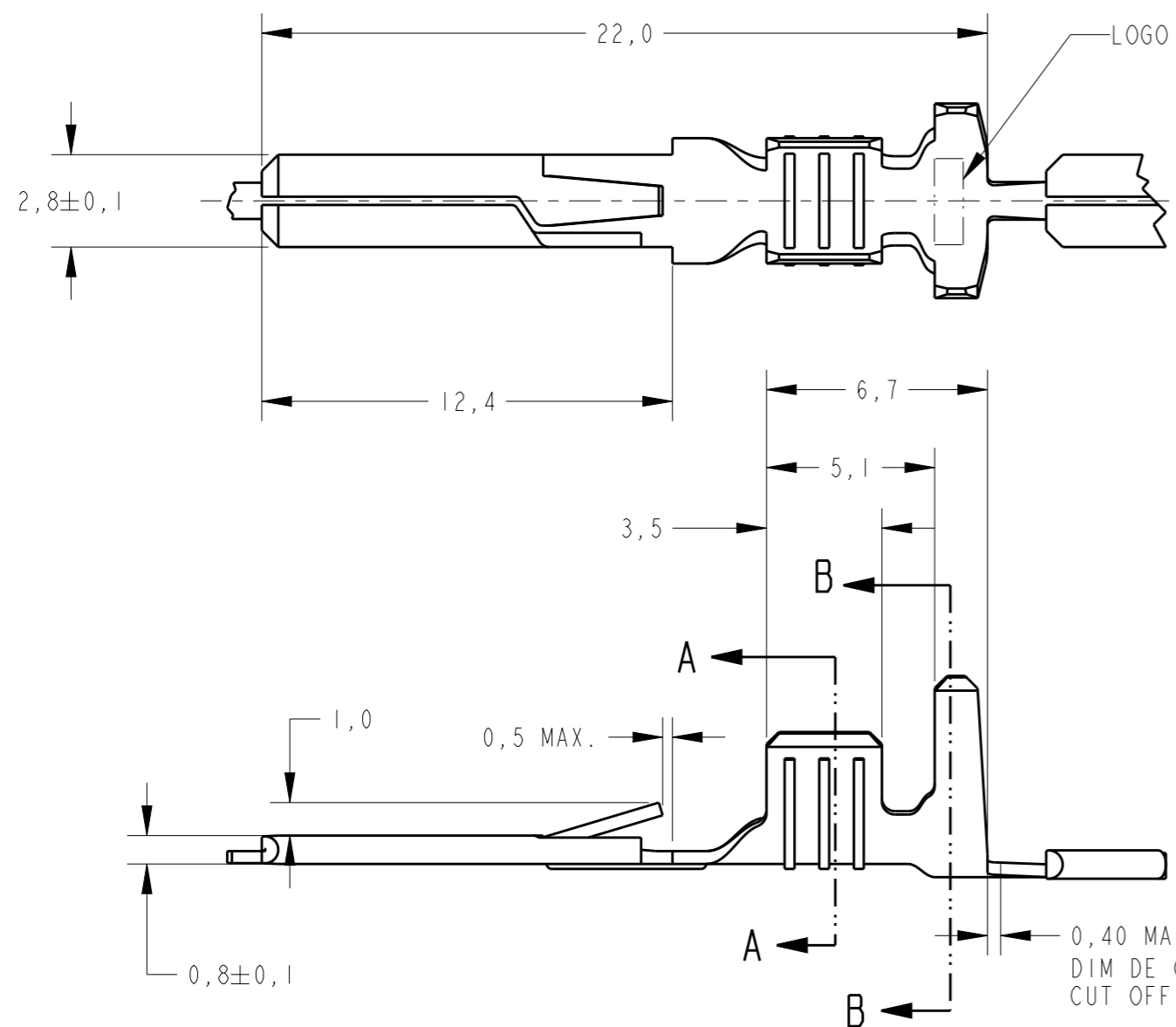


THIS DRAWING IS UNPUBLISHED. RELEASED FOR PUBLICATION 20
 © COPYRIGHT 20 BY - ALL RIGHTS RESERVED.

LOC	DIST	REVISIONS				
P	LTR	DESCRIPTION	DATE	DWN	APVD	
-	-	C2	REV. BY ECO14-019128 AND REDRAW	23DEC2014	HC	WLS



0,40 MAX.
 DIM DE CORTE PARA PEÇA SOLTA
 CUT OFF TAB FOR LOOSE PIECE

LOOSE PIECE PN	FINISH	MATERIAL	PART NUMBER
880664-3	PRE - TIN	BRASS	880638-3
880664-2	ELECTRO TIN	BRASS	880638-2
880664-1	-	BRASS	880638-1
	ELECTRO TIN	PHOS. BRONZE	880638 5
		PHOS. BRONZE	880638 4

-OBSOLETE PARTS: OBSOLETE CIS STREAMLINING PER D.RENAUD/D.SINISI

THIS DRAWING IS A CONTROLLED DOCUMENT.

DIMENSIONS:	TOLERANCES UNLESS OTHERWISE SPECIFIED:
mm	
INSUL. RANGE 2,7 -4,0mm	0 PLC ± - 1 PLC ±0,3 2 PLC ± - 3 PLC ± - 4 PLC ± - ANGLES ±1°
WIRE RANGE >1,0-2,5 mm2	
MATERIAL	FINISH

DWN	23DEC2014
CHK	H.C.CANTERLI
APVD	W.L.STEFANI
PRODUCT SPEC	108-37015
APPLICATION SPEC	114-2065
WEIGHT	-
Customer Drawing	

TE Connectivity			
NAME .110 SERIES FASTIN-ON TAB			
SIZE	CAGE CODE	DRAWING NO	RESTRICTED TO
A3	00779	880638	-
SCALE 5/1		SHEET 1 OF 1	REV C2