

1

2

3

4

5

6

7

A

A

B

B

C

C

D

D

E

E

F

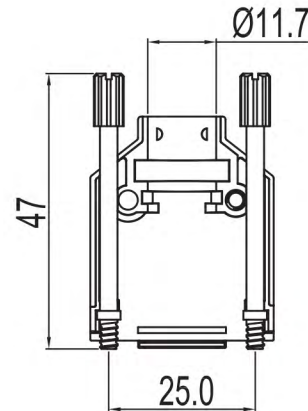
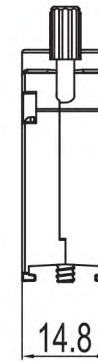
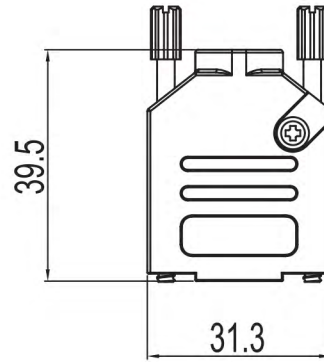
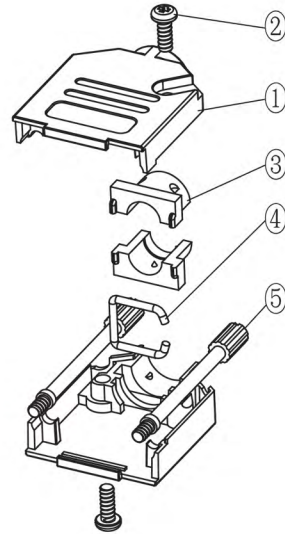
F

G

G

H

H




TECHNICAL SPECIFICATIONS

Material: Zinc
 Plating: Nickel
 Operating Temperature: -25°C to +90°C
 Thumbscrews: UNC 4-40

No. of contacts: 09-15-25-37

Item	QTY	Part description
1	2	Hood halves
2	2	M3x10 Screw
3	1	Grommet Set
4	1	C-Clip Clamp
5	2	Thumbscrew UNC4-40x47

RoHS compliant
 Unit: mm

Scale	Free				Date	Name	Customer-No.	
TOLERANCE					Drawn	17.08.2017	S.Bölling	
0~6	±0.10				Approved	17.08.2017	S.Bölling	
6~30	±0.20							
30~120	±0.30							
120~400	±0.50							
DIM	Tol							
Angle	±1°	©	Drawn	17.08.2017				S.Bölling
Angle	Tol	Id.	Modification	Date				Name

ASSMANN WSW-No.
ACOV-SUB-09MB40

Drawing-No.
ASS_5281_CO rev00
 Replace Sheet 1/4

1

2

3

4

5

6

7

SV4382

1

2

3

4

5

6

7

A

A

B

B

C

C

D

D

E

E

F

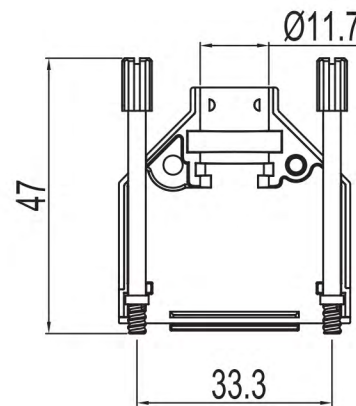
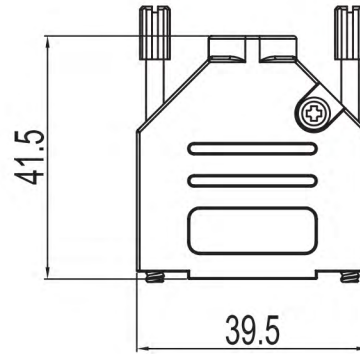
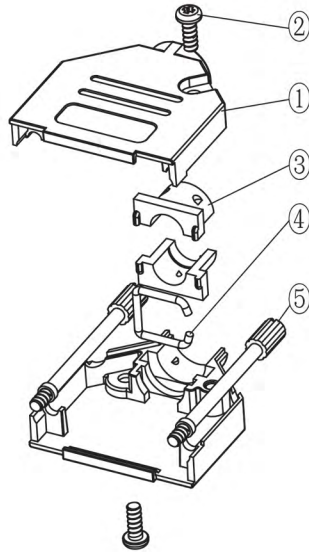
F

G

G

H

H



TECHNICAL SPECIFICATIONS

Material: Zinc
 Plating: Nickel
 Operating Temperature: -25°C to +90°C
 Thumbscrews: UNC 4-40

No. of contacts: 09-15-25-37

Item	QTY	Part description
1	2	Hood halves
2	2	M3x10 Screw
3	1	Grommet Set
4	1	C-Clip Clamp
5	2	Thumbscrew UNC4-40x47

RoHS compliant
 Unit: mm

Scale	Free				Date	Name	Customer-No.	
TOLERANCE					Drawn	17.08.2017	S.Bölling	
0~6	±0.10				Approved	17.08.2017	S.Bölling	
6~30	±0.20							
30~120	±0.30							
120~400	±0.50							
DIM	Tol							
Angle	±1°	ⓐ	Drawn	17.08.2017				S.Bölling
Angle	Tol	Id.	Modification	Date				Name
						Drawing-No. ASS_5281_CO Replace		
						rev00 Sheet 2/4		

1

2

3

4

5

6

7

SV4382

1

2

3

4

5

6

7

A

A

B

B

C

C

D

D

E

E

F

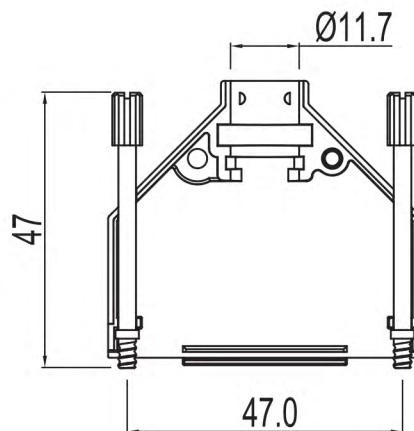
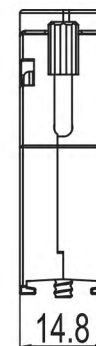
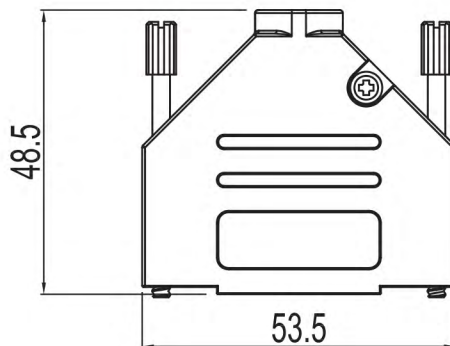
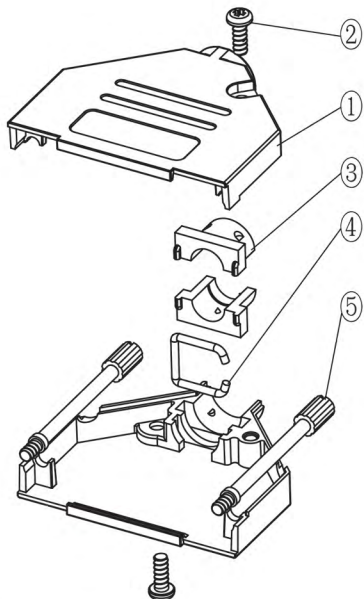
F

G

G

H

H



TECHNICAL SPECIFICATIONS

Material: Zinc
 Plating: Nickel
 Operating Temperature: -25°C to +90°C
 Thumbscrews: UNC 4-40

No. of contacts: 09-15-25-37

Item	QTY	Part description
1	2	Hood halves
2	2	M3x10 Screw
3	1	Grommet Set
4	1	C-Clip Clamp
5	2	Thumbscrew UNC4-40x47

RoHS compliant
 Unit: mm

Scale	Free					Date	Name	Customer-No.
TOLERANCE						Drawn	17.08.2017	S.Bölling
0~6	±0.10					Approved	17.08.2017	S.Bölling
6~30	±0.20							
30~120	±0.30							
120~400	±0.50							
DIM	Tol							
Angle	±1°	©	Drawn	17.08.2017	S.Bölling			
Angle	Tol	Id.	Modification	Date	Name			

ASSMANN
 WSW components

Customer-No.
 ASSMANN WSW-No.
ACOV-SUB-25MB40

Drawing-No.
ASS_5281_CO rev00
 Replace
 Sheet 3/4

1

2

3

4

5

6

7

SV4382

1

2

3

4

5

6

7

A

A

B

B

C

C

D

D

E

E

F

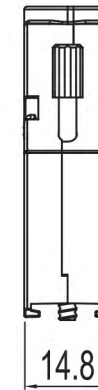
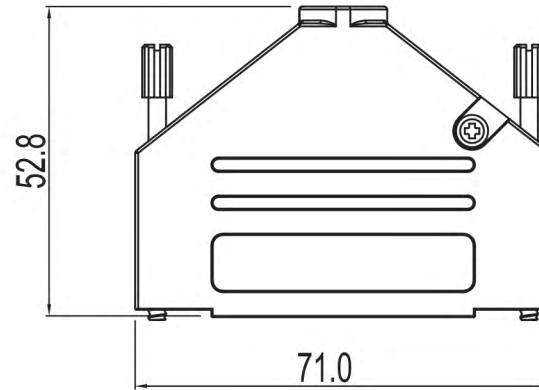
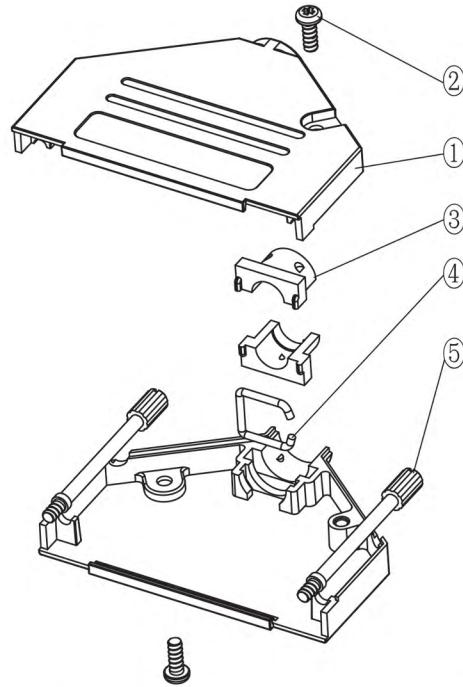
F

G

G

H

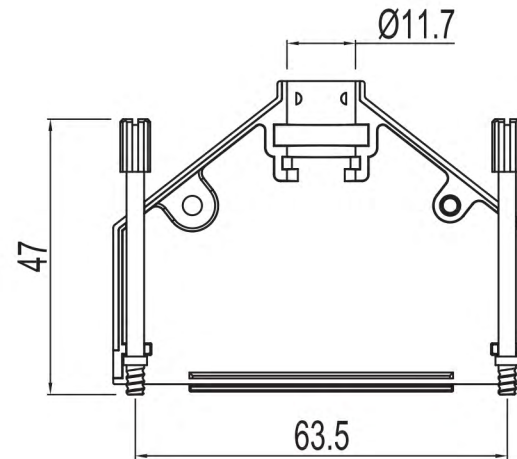
H



TECHNICAL SPECIFICATIONS

Material: Zinc
 Plating: Nickel
 Operating Temperature: -25°C to +90°C
 Thumbscrews: UNC 4-40

No. of contacts: 09-15-25-37



Item	QTY	Part description
1	2	Hood halves
2	2	M3x10 Screw
3	1	Grommet Set
4	1	C-Clip Clamp
5	2	Thumbscrew UNC4-40x47

RoHS compliant
 Unit: mm

Scale	Free						Date	Name	Customer-No.	
TOLERANCE							Drawn	17.08.2017	S.Bölling	ASSMANN WSW-No. ACOV-SUB-37MB40
0~6	±0.10						Approved	17.08.2017	S.Bölling	
6~30	±0.20									
30~120	±0.30									
120~400	±0.50									Drawing-No.
DIM	Tol									ASS_5281_CO
Angle	±1°	©	Drawn				17.08.2017	S.Bölling		rev00
Angle	Tol	Id.	Modification							Sheet 4/4

ASSMANN
 WSW components

Drawing-No.

ASS_5281_CO

Replace

rev00

Sheet 4/4

1

2

3

4

5

6

7

SV4382