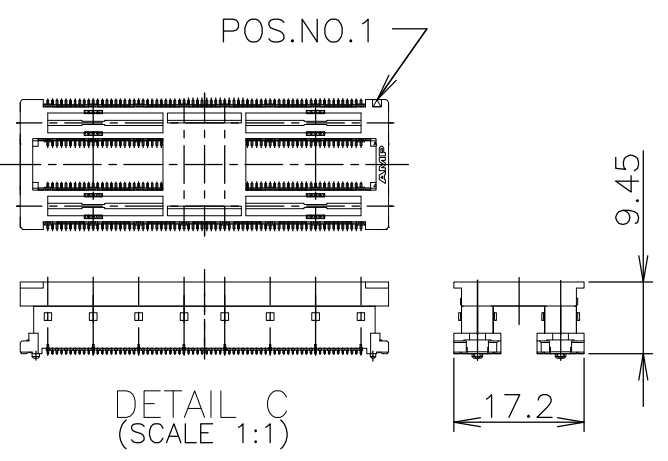
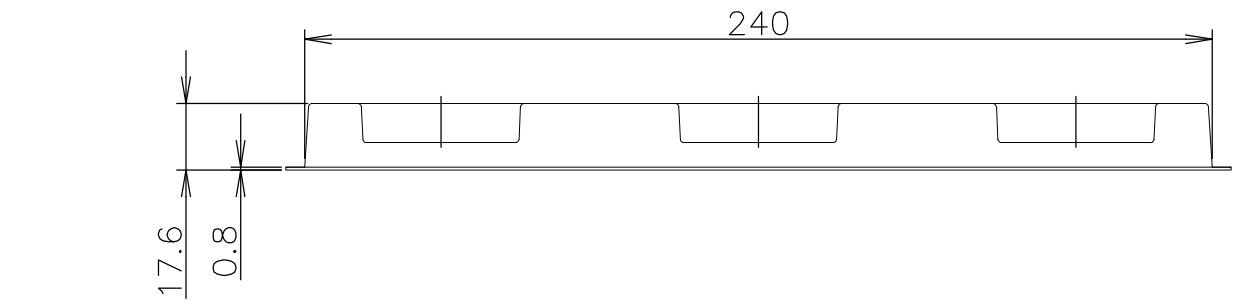
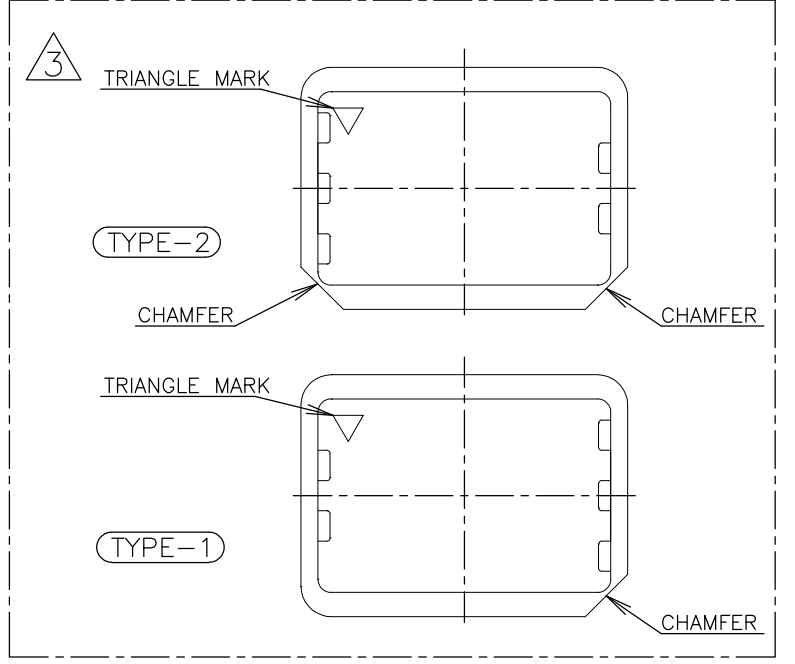
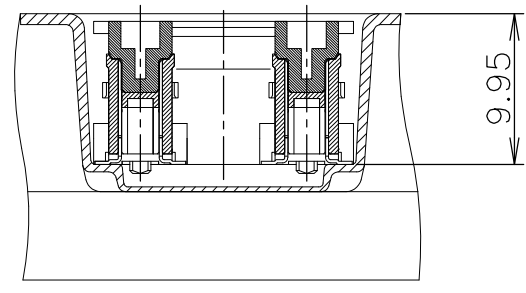
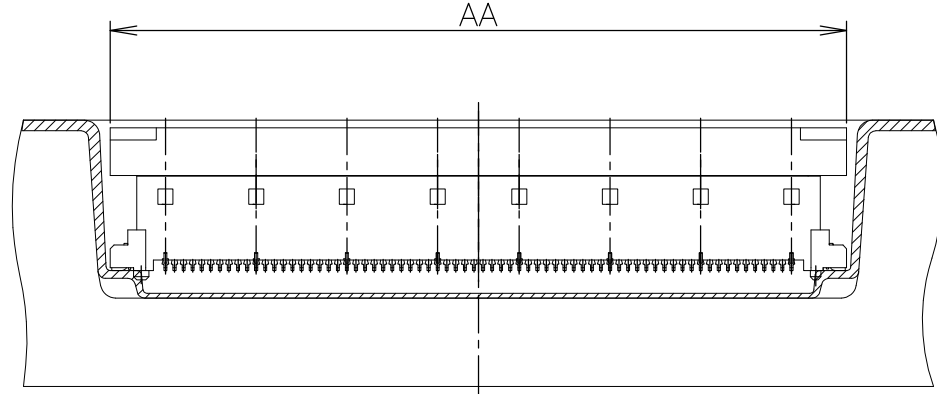
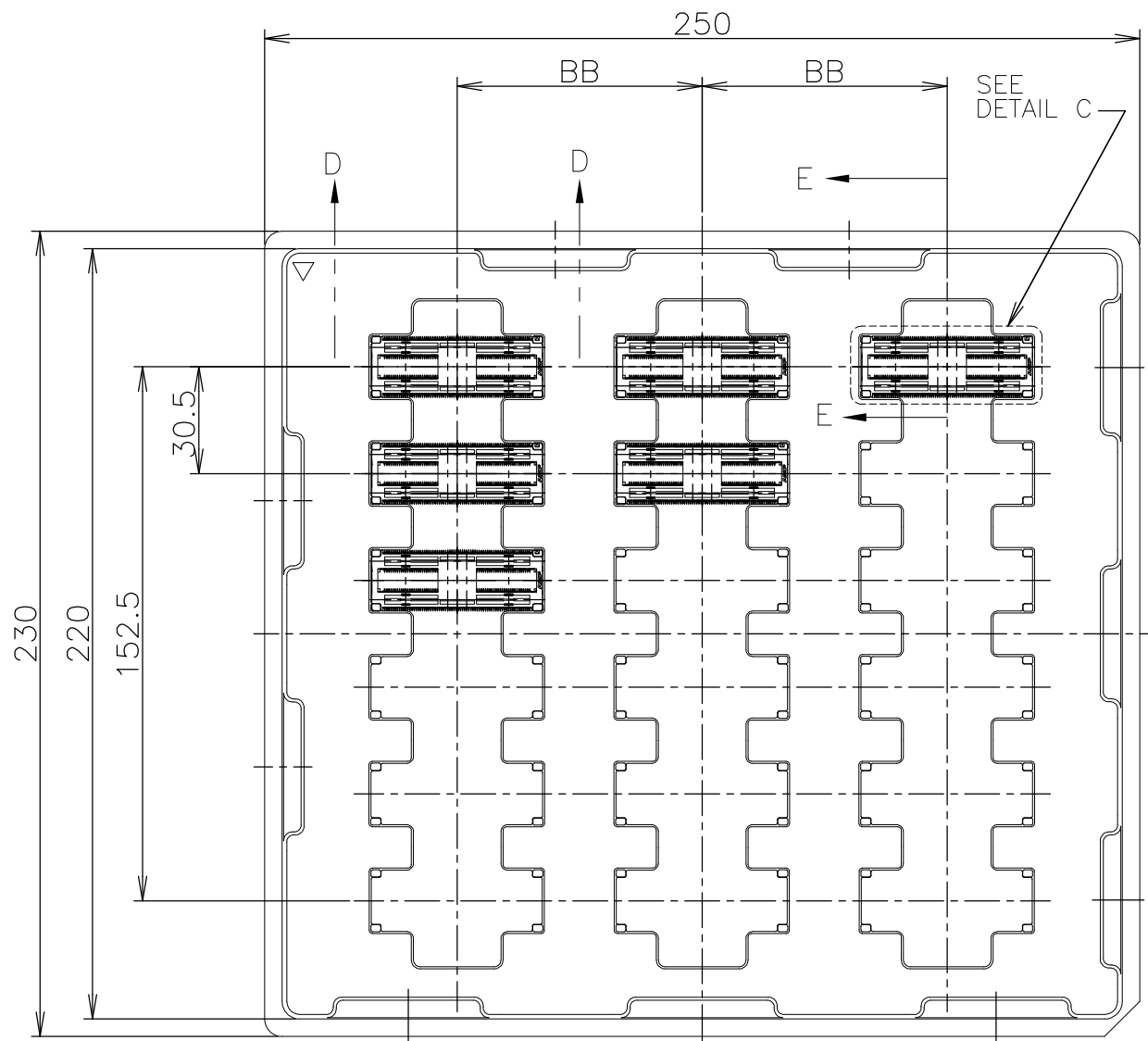


THIS DRAWING IS UNPUBLISHED. RELEASED FOR PUBLICATION JAN , 1997.
 © COPYRIGHT 1997 By - ALL RIGHTS RESERVED.

LOC J	DIST	REVISIONS 変更			DATE	DWN	APVD
P	LTR	DESCRIPTION					
	A1	REVISED PER ECR-15-012743		24SEP2015	I.T	W.H	

AS SHOWN: TYPE-1



GENERAL TOLERANCE
一般公差

10 ≥ ±0.2
30 ≥ >10: ±0.25
100 ≥ >30: ±0.3
ANGLES: ±3°

THIS DRAWING IS A CONTROLLED DOCUMENT.

DIMENSIONS: 単位: 耗 mm

TOLERANCES UNLESS OTHERWISE SPECIFIED: 一般公差

0 PLC ± -
1 PLC ± -
2 PLC ± -
3 PLC ± -
4 PLC ± -
ANGLES ± -

MATERIAL 材料

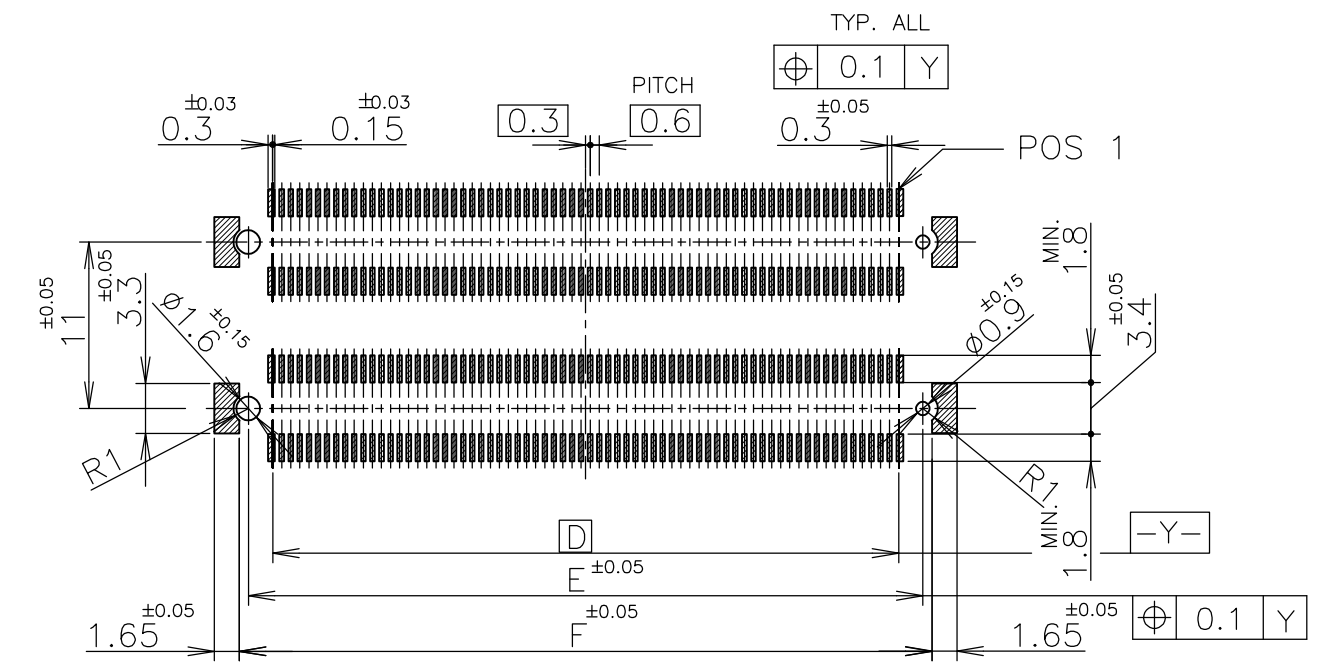
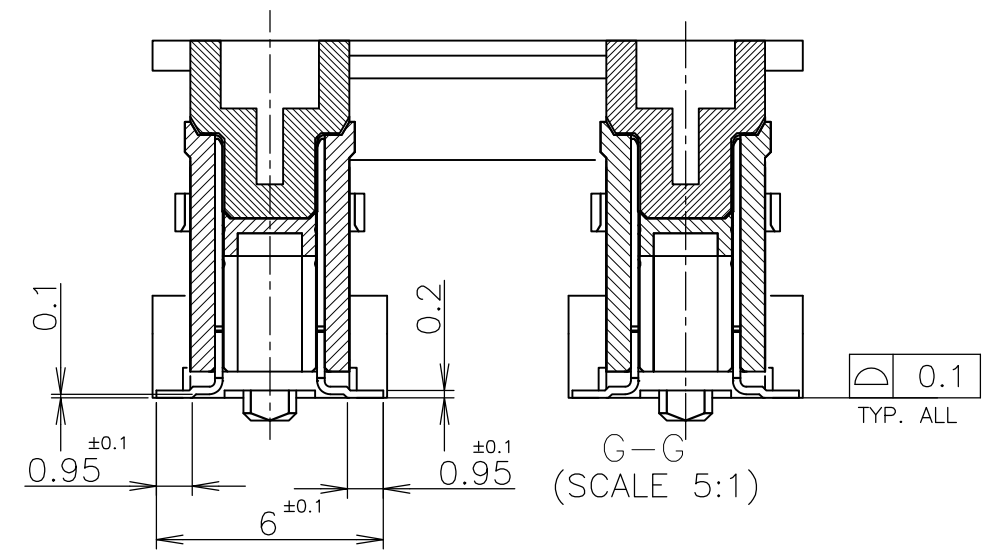
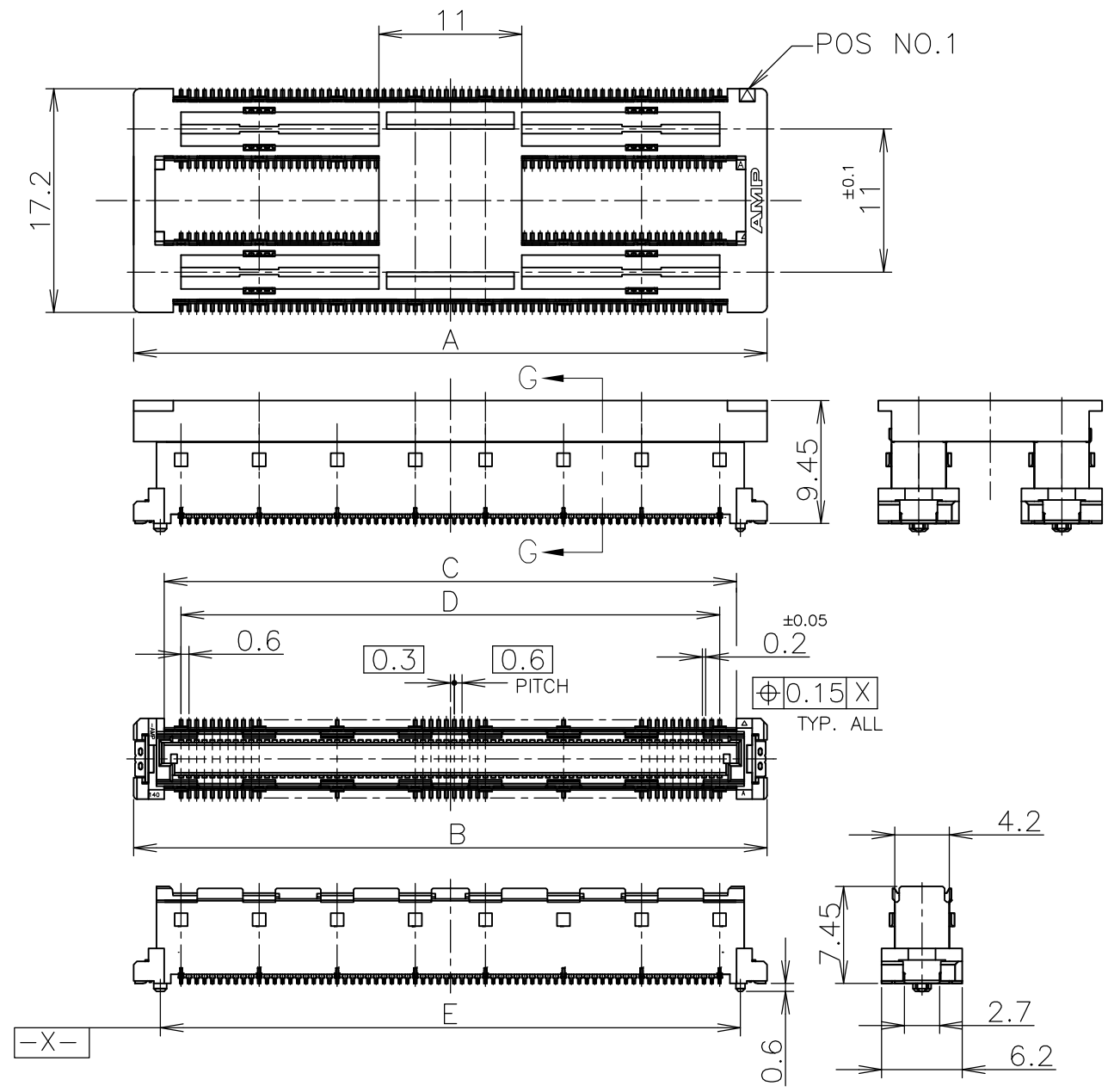
FINISH 仕上

SEALANT	△5	AVAILABLE	3	18	70	48.7	280	6-1554701-0
NON SEALANT		AVAILABLE	3	18	70	48.7	280	1-1554701-0
SEALANT		TOOLING STATUS	ROW	QTY	BB	AA	POS.	PART NO.

DWN Y.OKOSHI 07SEP2009	STE TE Connectivity		NAME 名称			
CHK S.KAJINUMA 07SEP2009			SOFT TRAY ASSY FH 0.6BTB CONNECTOR PLUG 8H 2ROW TYPE			
APVD S.KAJINUMA 07SEP2009	PRODUCT SPEC 製品規格 108-60047	APPLICATION SPEC 取付適用規格 114-5255	SIZE A3	CAGE CODE 00779	DRAWING NO 番号 C-1554701	RESTRICTED TO
WEIGHT		CUSTOMER DRAWING	SCALE 尺度 1:2	SHEET 1 OF 2	REV A1	

THIS DRAWING IS UNPUBLISHED. RELEASED FOR PUBLICATION JAN , 1997.
 © COPYRIGHT 1997 By - ALL RIGHTS RESERVED.

LOC	DIST	REVISIONS			DATE	DWN	APVD
J		P	LTR	DESCRIPTION			
		-		SEE SHEET 1	-	-	-



REFERENCE P.C. BOARD LAYOUT

- 1 MATERIAL ; HOUSING : HIGH TEMP THERMO PLASTIC
UL94V-0
CONTACT : COPPER ALLOY
- 2 FINISH ; UNDER PL Ni 0.0013mm MIN ALL OVER.
CONTACT AREA 0.0002 MIN Au PL.
SOLDERING AREA 0.001 MIN TIN PL.
- 3 TRAY TYPE-1 AND TYPE-2 MUST BE
PILED UP BY TURNS.
(REFER TO PACKING SPECIFICATIONS)

45.8	44.6	41.4	44	48.7	48.7	280	1-1554701-0 & 6-1554701-0
F	E	D	C	B	A	POS	PART NO.

THIS DRAWING IS A CONTROLLED DOCUMENT.		DWN	TE Connectivity NAME 名称 SOFT TRAY ASSY FH 0.6BTB CONNECTOR PLUG 8H 2ROW TYPE	
DIMENSIONS: 单位: 耗 mm		CHK		
TOLERANCES UNLESS OTHERWISE SPECIFIED: 一般公差		APVD		
0 PLC ±- 1 PLC ±- 2 PLC ±- 3 PLC ±- 4 PLC ±- ANGLES ±-		PRODUCT SPEC 製品規格		
MATERIAL 材料	FINISH 仕上	WEIGHT	APPLICATION SPEC 取付適用規格	SIZE
1	2		RESTRICTED TO 番号	CAGE CODE
CUSTOMER DRAWING			SCALE 尺度 2:1	DRAWING NO 番号
			SHEET 2 OF 2	REV A1