

CGA2B2X8R1H152M050BA

TDK Item Description : CGA2B2X8R1H152MT****



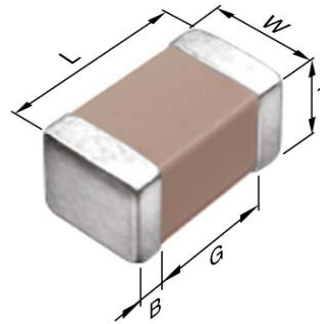
Equivalent C1005X8R1H152M for Automotive

Application & Main Feature

Automotive Grade (High Temperature Application)

Series

CGA2(1005) [EIA CC0402]



Dimensions

- L 1.00mm +/-0.05mm
- W 0.50mm +/-0.05mm
- T 0.50mm +/-0.05mm
- B 0.10mm Min.
- G 0.30mm Min.

Temperature Characteristic

X8R (-55 to 150 degC +/-15%)

Rated Voltage

1H (50Vdc)

Capacitance

1.5nF

Capacitance Tolerance

M (+/-20%)

Dissipation Factor

3% Max.

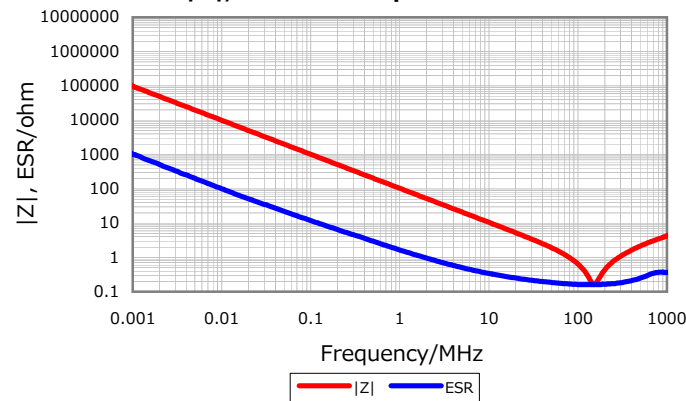
Insulation Resistance

10Gohm Min.

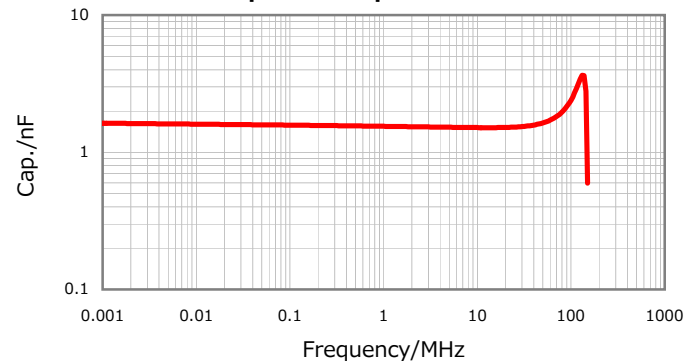
AEC-Q200

Yes

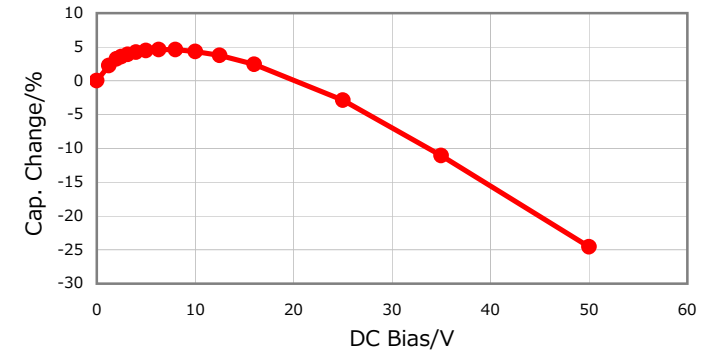
|Z|, ESR vs. Freq. Characteristics



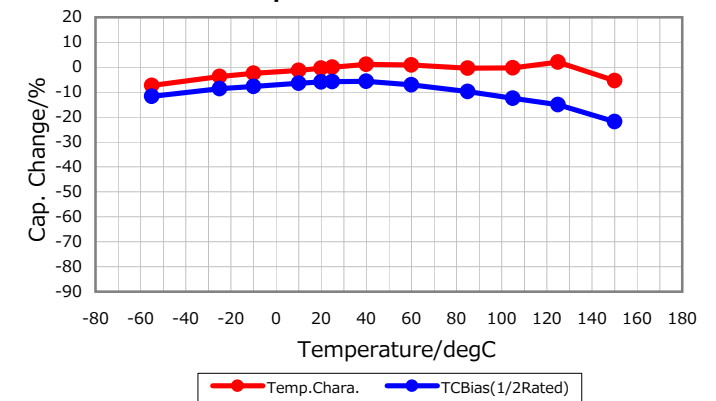
Cap. vs. Freq. Characteristic



DC Bias Characteristic



Temperature Characteristics



Ripple Temperature Rise Characteristics

