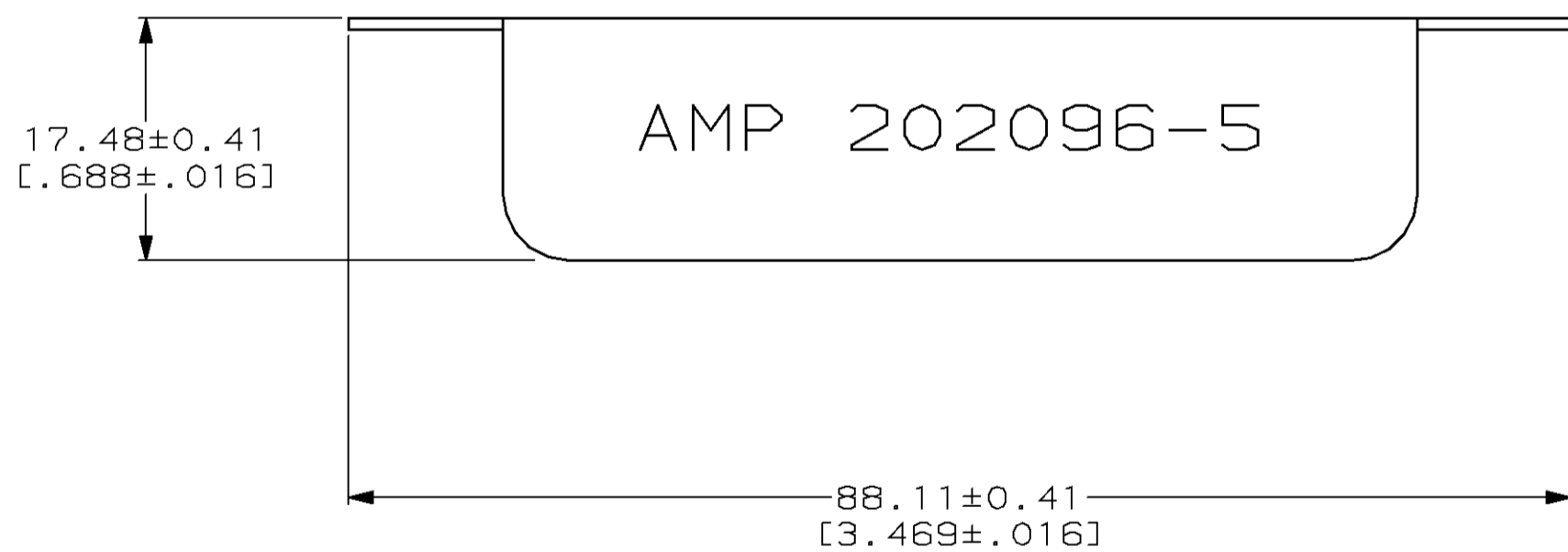
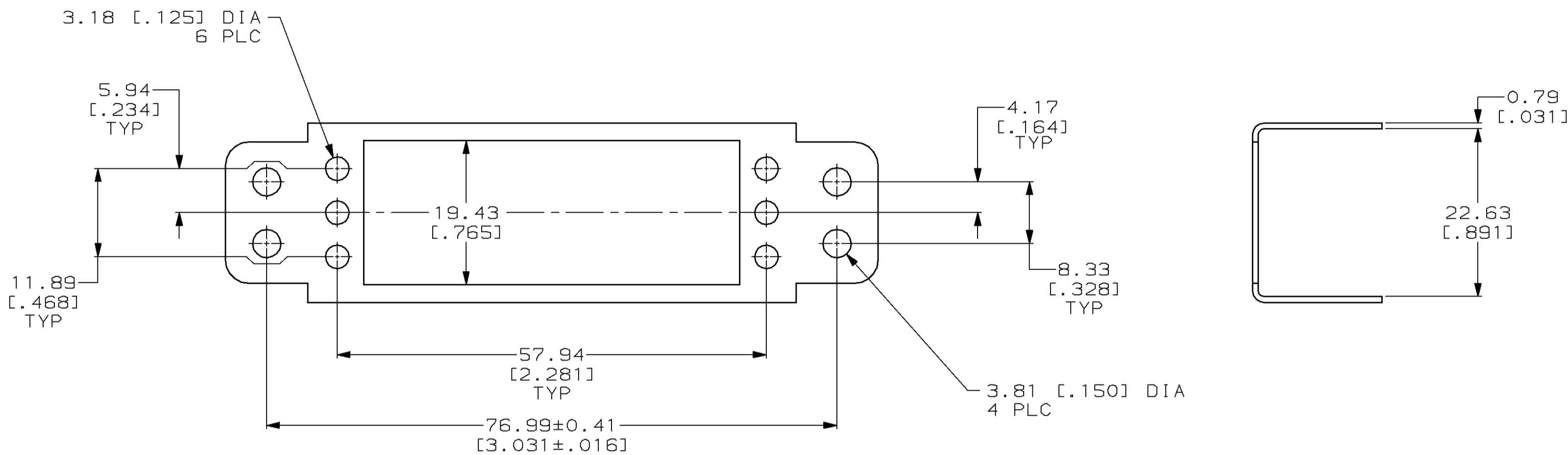


THIS DRAWING IS UNPUBLISHED. RELEASED FOR PUBLICATION
 BY AMP INCORPORATED. ALL RIGHTS RESERVED.

| Loc | | DIST | | REVISIONS | | | |
|-----|-----|-------------|--|---------------------------------------|-----------|------|----|
| P | LTR | DESCRIPTION | | DATE | DWN | APVD | |
| FT | 8 | F | | REDRAWN W/O CHANGE PER EC 0020-292-96 | 02 MAY 96 | BC | GS |



202096-5
 PART NUMBER

| | | | |
|---|--|------------------------------------|---|
| THIS DRAWING IS A CONTROLLED DOCUMENT. | | DWN B. CARBO 02 MAY 96 | AMP Incorporated Harrisburg, PA 17105-3608 |
| DIMENSIONS: mm [INCHES] | | CHK R. STONE 16 MAY 96 | |
| TOLERANCES UNLESS OTHERWISE SPECIFIED: | | APVD G. STEINHAUER 16 AUG 96 | NAME PIN HOOD, 50 POSITION, MOUNTING PLATE, EXTERNAL, M SERIES |
| 0 PLC ±- 1 PLC ±- 2 PLC ±0.13 [.005] 3 PLC ±- 4 PLC ±- ANGLES ±- | | PRODUCT SPEC - | SIZE A2 |
| MATERIAL CARBON STEEL | | APPLICATION SPEC - | CAGE CODE 00779 |
| FINISH 5.08 μm [.000200] MIN NICKEL PER QQ-N-290 | | WEIGHT - | DRAWING NO C-202096 |
| CUSTOMER DRAWING | | SCALE 2:1 | SHEET 1 OF 1 |
| | | REV F | |