

Features

- Programmable PLL synthesizer
- 8-channel preconfigured or fully programmable SPI mode
- Double super-heterodyne receiver architecture with 2nd mixer as image rejection mixer
- Reception of FSK, FM and ASK modulated signals
- Low shut-down and operating currents
- AGC – automatic gain control
- On-chip IF filter
- Fully integrated FSK/FM demodulator
- RSSI for level indication and ASK detection
- 2nd order low-pass data filter
- Positive and negative peak detectors
- Data slicer (with averaging or peak-detector adaptive threshold)
- 32-pin Quad Flat No-Lead Package (QFN)
- EVB programming software is available on Melexis web site

Ordering Information

Part No. (see paragraph 6)

EVB71122-315-C
EVB71122-433-C

EVB71122-868-C
EVB71122-915-C

*SPI mode is default population, ABC mode according to paragraph 5

**EVB71122-XXX-C with XXX = Reception frequency (315 or 433.92 or 868.3 or 915MHz).

***The evaluation board is supplied with a SMA connector.

Application Examples

- General digital and analog RF receivers at 300 to 930MHz
- Tire pressure monitoring systems (TPMS)
- Remote keyless entry (RKE)
- Low power telemetry systems
- Alarm and security systems
- Active RFID tags
- Remote controls
- Garage door openers
- Home and building automation

Evaluation Board Example



General Description

The MLX71122 is a multi-channel RF receiver IC based on a double-conversion super-heterodyne architecture. It is designed to receive FSK and ASK modulated RF signals either in 8 predefined frequency channels or frequency programmable via a 3-wire serial programming interface (SPI).

The IC is designed for a variety of applications, for example in the European bands at 433MHz and 868MHz or for the use in North America or Asia, e.g. at 315MHz, 447MHz or 915MHz.

Document Content

1	Theory of Operation	4
1.1	General	4
1.2	EVB Data Overview	4
1.3	Block Diagram	5
1.4	Enable/Disable in ABC Mode	6
1.5	Demodulation Selection in ABC Mode	6
1.6	Programming Modes	6
1.7	Preconfigured Frequencies in ABC Mode	6
2	Functional Description	7
2.1	Frequency Planning	7
2.2	Calculation of Counter Settings	8
2.2.1	Calculation of LO1 and IF1 frequency for Low Frequency Bands	8
2.2.2	Calculation of LO1 and IF1 frequency for High Frequency Bands	9
2.2.3	Counter Setting Examples for SPI Mode	9
2.2.4	Counter Settings in ABC Mode – 8+1 Preconfigured Channels	10
2.2.5	PLL Counter Ranges	11
2.3	SPI Description	11
2.3.1	General	11
2.3.2	Read / Write Sequences	12
2.3.3	Serial Programming Interface Timing	12
3	Register Description	13
3.1	Register Overview	13
3.1.1	Control Word R0	15
3.1.2	Control Word R1	16
3.1.3	Control Word R2	17
3.1.4	Control Word R3	17
3.1.5	Control Word R4	18
3.1.6	Control Word R5	18
3.1.7	Control Word R6	18
3.1.8	Control Word R7 (Read-only Register)	19
4	Application Circuits for SPI Mode	20
4.1	Averaging Data Slicer Configured for Bi-Phase Codes	20
4.2	Peak Detector Data Slicer Configured for NRZ Codes	22
4.2.1	Board Component Values List (SPI mode)	24
5	Application for 8-Channel Preconfigured (ABC) Mode	25
5.1	Averaging Data Slicer Configured for Bi-Phase Codes	25
5.1.1	Board Component Values List (ABC mode)	27

6	<i>Evaluation Board Layouts</i>	28
7	<i>Package Description</i>	29
7.1	<i>Soldering Information</i>	29
8	<i>Reliability Information</i>	30
9	<i>ESD Precautions</i>	30
10	<i>Disclaimer</i>	32

PRELIMINARY

1 Theory of Operation

1.1 General

The MLX71122 receiver architecture is based on a double-conversion super-heterodyne approach. The two LO signals are derived from an on-chip integer-N PLL frequency synthesizer. The PLL reference frequency is derived from a crystal (XTAL). The PLL synthesizer consists of an integrated voltage-controlled oscillator with external inductor, a programmable feedback divider chain, a programmable reference divider, a phase-frequency detector with a charge pump and an external loop filter.

In the receiver's down-conversion chain, two mixers MIX1 and MIX2 are driven by the internal local oscillator signals LO1 and LO2, respectively. The second mixer MIX2 is an image-reject mixer. As the first intermediate frequency (IF1) is very high (typically above 100 MHz), a reasonably high degree of image rejection is provided even without using an RF front-end filter. At applications asking for very high image rejections, cost-efficient RF front-end filtering can be realized by using a SAW filter in front of the LNA.

The receiver signal chain is set up by a low noise amplifier (LNA), two down-conversion mixers (MIX1 and MIX2), an on-chip IF filter (IFF) as well as an IF amplifier (IFA). By choosing the required modulation via an FSK/ASK switch (at pin MODSEL), either the on-chip FSK demodulator (FSK DEMOD) or the RSSI-based ASK detector is selected. A second order data filter (OA1) and a data slicer (OA2) follow the demodulator. The data slicer threshold can be generated from the mean-value of the data stream or by means of the positive and negative peak detectors (PKDET+/-).

In general the MLX71122 can be set to shut-down mode, where all receiver functions are completely turned off, and to several other operating modes. There are two global operating modes that are selectable via the logic level at pin SPISEL:

- 8-channel preconfigured mode (**ABC mode**)
- fully programmable mode (**SPI mode**).

In ABC mode the number of frequency channels is limited to eight but no microcontroller programming is required. In this case the three lines of the serial programming interface (SPI) are used to select one of the eight predefined frequency channels via simple 3-bit parallel programming. Pins ENRX and MODSEL are used to enable/disable the receiver and to select FSK or ASK demodulation, respectively.

SPI mode is recommended for full programming flexibility. In this case the three lines of the SPI are configured as a standard 3-wire bus (SDEN, SDTA and SCLK). This allows changing many parameters of the receiver, for example more operating modes, channels, frequency resolutions, gains, demodulation types, data slicer settings and more. The pin MODSEL has no effect in this mode.

1.2 EVB Data Overview

- | | |
|--|--|
| <ul style="list-style-type: none"> <input type="checkbox"/> Input frequency ranges: 300 to 930MHz <input type="checkbox"/> Power supply range: 3.0 to 5.5V <input type="checkbox"/> Temperature range: -40 to +105°C <input type="checkbox"/> Shutdown current: 50nA <input type="checkbox"/> Operating current: 12mA (typ.) <input type="checkbox"/> Internal IF2: 2MHz with 230kHz 3dB bandwidth <input type="checkbox"/> Maximum data rate: 100kbps NRZ code, 50kbps bi-phase code <input type="checkbox"/> Minimum frequency resolution: 10kHz | <ul style="list-style-type: none"> <input type="checkbox"/> Total image rejection: > 65dB (with external RF front-end filter) <input type="checkbox"/> FSK/FM deviation range: ±2 to ±50kHz <input type="checkbox"/> Spurious emission: < -70dBm <input type="checkbox"/> Linear RSSI range: > 50dB <input type="checkbox"/> FSK input frequency acceptance range: 180kHz (3dB) <input type="checkbox"/> Crystal reference frequency: 10MHz |
|--|--|

<input type="checkbox"/> Input Sensitivity: at 4 kbps NRZ, BER = 3·10 ⁻³				
Frequency	315 MHz	433 MHz	868 MHz	915 MHz
FSK: ±20 kHz deviation	-106dBm	-104dBm	-101dBm	-101dBm
ASK	-108dBm	-108dBm	-106dBm	-106dBm

1.3 Block Diagram

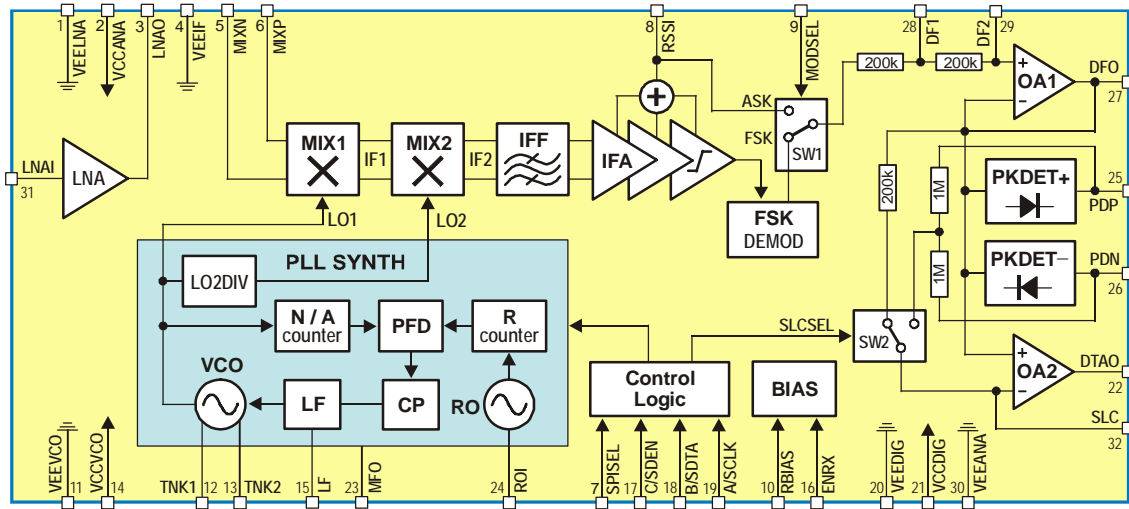


Fig. 1: MLX71122 block diagram

The MLX71122 receiver IC consists of the following building blocks:

- PLL synthesizer (PLL SYNTH) to generate the first and second local oscillator signals LO1 and LO2, parts of the PLL SYNTH are the voltage-controlled oscillator (VCO), the feedback dividers N/A and R, the phase-frequency detector (PFD), the charge pump (CP) and the crystal-based reference oscillator (RO)
- Low-noise amplifier (LNA) for high-sensitivity RF signal reception
- First mixer (MIX1) for down-conversion of the RF signal to the first IF (intermediate frequency)
- Second mixer (MIX2) with image rejection for down-conversion from the first to the second IF
- IF Filter (IFF) with a 2MHz center frequency and a 230kHz 3dB bandwidth
- IF amplifier (IFA) to provide a large amount of voltage gain and an RSSI signal output
- FSK demodulator (FSK DEMOD)
- Operational amplifiers OA1 and OA2 for low-pass filtering and data slicing, respectively
- Positive (PKDET+) and negative (PKDET-) peak detectors
- Switches SW1 to select between FSK and ASK as well as SW2 to chose between averaging or peak detector data slicer
- Control logic with 3-wire bus serial programming interface (SPI)
- Biasing circuit with modes control

For more detailed information, please refer to the latest MLX71122 data sheet revision.

1.4 Enable/Disable in ABC Mode

ENRX	Description
0	Shutdown mode
1	Receive mode

Pin ENRX is pulled down internally. Device is in shutdown by default, after power supply on.
 If ENRX = 0 and SPISEL = 1 then operating modes according to OPMODE bit (refer to control word R0).
 If ENRX = 1 then OPMODE bit has no effect (hardwired receive mode).

1.5 Demodulation Selection in ABC Mode

MODSEL	Description
0	FSK demodulation
1	ASK demodulation

Pin MODSEL has no effect in SPI mode (SPISEL = 1). We recommend connecting it to ground to avoid a floating CMOS gate.

1.6 Programming Modes

SPISEL	Description
0	ABC mode (8 channels preconfigured)
1	SPI mode (programming via 3-wire bus)

1.7 Preconfigured Frequencies in ABC Mode

A	B	C	Receive Frequency
0	0	0	FSK1: 369.5 MHz
0	1	0	FSK5: 388.3 MHz
1	0	0	FSK2: 371.1 MHz
1	1	0	FSK4: 376.9 MHz
0	0	1	FSK3: 375.3 MHz
0	1	1	FSK7: 394.3 MHz
1	0	1	FSK6: 391.5 MHz
1	1	1	FSK8: 395.9 MHz

As all pins, pins A, B, and C are equipped with ESD protection diodes that are tied to VCC and to VEE. Therefore these pins should not be directly connected to positive supply (a logic "1") before the supply voltage is applied to the IC. Otherwise the IC will be supplied through these control lines and it may enter into an unpredictable mode. In case the user wants to apply a positive supply voltage to these pins before the supply voltage is applied to the IC, a protection resistor should be inserted in each control line.

2 Functional Description

2.1 Frequency Planning

Because of the double conversion architecture that employs two mixers and two IF signals, there are four different combinations for injecting the LO1 and LO2 signals:

- LO1 high side and LO2 high side: receiving at $f_{RF}(\text{high-high})$
- LO1 high side and LO2 low side: receiving at $f_{RF}(\text{high-low})$
- LO1 low side and LO2 high side: receiving at $f_{RF}(\text{low-high})$
- LO1 low side and LO2 low side: receiving at $f_{RF}(\text{low-low})$

As a result, four different radio frequencies (RFs) could yield one and the same second IF (IF2). Fig. 2 shows this for the case of receiving at $f_{RF}(\text{high-high})$. In the example of Fig. 2, the image signals at $f_{RF}(\text{low-high})$ and $f_{RF}(\text{low-low})$ are suppressed by the bandpass characteristic provided by the RF front-end. The bandpass shape can be achieved either with a SAW filter (featuring just a couple of MHz bandwidth), or by the tank circuits at the LNA input and output (this typically yields 30 to 60MHz bandwidth). In any case, the high value of the first IF (IF1) helps to suppress the image signals at $f_{RF}(\text{low-high})$ and $f_{RF}(\text{low-low})$.

The two remaining signals at IF1 resulting from $f_{RF}(\text{high-high})$ and $f_{RF}(\text{high-low})$ are entering the second mixer MIX2. This mixer features image rejection with so-called single-sideband (SSB) selection. This means either the upper or lower sideband of IF1 can be selected. In the example of Fig. 2, LO2 high-side injection has been chosen to select the IF2 signal resulting from $f_{RF}(\text{high-high})$.

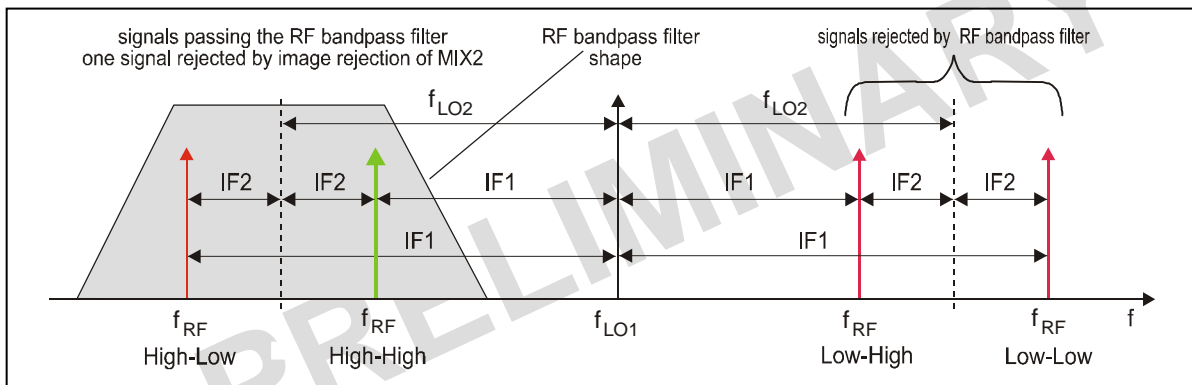


Fig. 2: The four receiving frequencies in a double conversion superhet receiver

It can be seen from the block diagram of Fig. 1 that there is a fixed relationship between the LO1 signal frequency f_{LO1} and the LO2 signal frequency f_{LO2} .

$$LO2DIV = N_{LO2} = \frac{f_{LO1}}{f_{LO2}} \quad (1)$$

The LO1 signal frequency f_{LO1} is directly synthesized from the crystal reference oscillator frequency f_{RO} by means of an integer-N PLL synthesizer. The PLL consists of a dual-modulus prescaler ($P/P+1$), a program counter N and a swallow counter A.

$$f_{LO1} = \frac{f_{RO}}{R} (N \cdot P + A) = f_{PFD} (N \cdot P + A) = f_{PFD} \cdot N_{tot} \quad (2)$$

Due to the double superhet receiver architecture, the channel frequency step size f_{CH} is not equal to the phase-frequency detector (PFD) frequency f_{PFD} . For high-side injection, the channel step size f_{CH} is given by:

$$f_{CH} = \frac{f_{RO}}{R} \frac{N_{LO2} - 1}{N_{LO2}} = f_{PFD} \frac{N_{LO2} - 1}{N_{LO2}} \quad (3)$$

While the following equation is valid for low-side injection:

$$f_{CH} = \frac{f_{RO}}{R} \frac{N_{LO2} + 1}{N_{LO2}} = f_{PFD} \frac{N_{LO2} + 1}{N_{LO2}} \quad (4)$$

2.2 Calculation of Counter Settings

Frequency planning and the selection of the MLX71122's PLL counter settings are straightforward and can be laid out on the following procedure.

Usually the receive frequency f_{RF} and the channel step size f_{CH} are given by system requirements. The N and A counter settings can be derived from N_{tot} or f_{LO1} and f_{PFD} by using the following equations.

$$N = \text{floor}\left(\frac{N_{tot}}{P}\right) = \text{floor}\left(\frac{N_{tot}}{32}\right); A = N_{tot} - N \cdot P = N_{tot} - N \cdot 32 \quad (5)$$

2.2.1 Calculation of LO1 and IF1 frequency for Low Frequency Bands

High-high injection must be used for the low frequency bands. First of all choose a PFD frequency f_{PFD} according to below table. The R counter values are valid for a 10MHz crystal reference frequency f_{RO} . The PFD frequency is given by $f_{PFD} = f_{RO} / R$.

Injection Type	f_{CH} [kHz]	f_{PFD} [kHz]	R
h-h	10	13.3	750
h-h	12.5	16.7	600
h-h	20	26.7	375
h-h	25	33.3	300
h-h	50	66.7	150
h-h	100	133.3	75
h-h	250	333.3	30

The second step is to calculate the missing parameters f_{LO1} , f_{IF1} , N_{tot} , N and A. While the second IF (f_{IF2}), the N_{LO2} divider ratio and the prescaler divider ratio P are bound to $f_{IF2} = 2\text{MHz}$, $N_{LO2} = 4$ (or 8) and $P = 32$.

$$f_{LO1} = \frac{N_{LO2}}{N_{LO2} - 1} (f_{RF} - f_{IF2}) \quad f_{LO1} = \frac{4}{3} (f_{RF} - 2\text{MHz}) \quad (6)$$

$$f_{IF1} = \frac{f_{RF} - N_{LO2} f_{IF2}}{N_{LO2} - 1} \quad f_{IF1} = \frac{f_{RF} - 8\text{MHz}}{3} \quad (7)$$

Finally N and A can be calculated with formula (5).

2.2.2 Calculation of LO1 and IF1 frequency for High Frequency Bands

Typical ISM band operating frequencies like 868.3 and 915MHz can be covered without changing the crystal nor the VCO inductor.

Low-low injection should be used for the high frequency bands. First of all choose a PFD frequency f_{PFD} according to below table. The R counter values are valid for a 10MHz crystal reference. The PFD frequency is given by $f_{PFD} = f_{RO} / R$.

Injection Type	f_{CH} [kHz]	f_{PFD} [kHz]	R
I-I	20	16	625
I-I	25	20	500
I-I	50	40	250
I-I	100	80	125
I-I	250	200	50
I-I	500	400	25

The second step is to calculate the missing parameters f_{LO1} , f_{IF1} , N_{tot} , N and A. While the second IF (f_{IF2}), the N_{LO2} divider ratio and the prescaler divider ratio P are bound to $f_{IF2} = 2\text{MHz}$, $N_{LO2} = 4$ (or 8) and $P = 32$.

$$f_{LO1} = \frac{N_{LO2}}{N_{LO2} + 1} (f_{RF} - f_{IF2}) \quad f_{LO1} = \frac{4}{5} (f_{RF} - 2\text{MHz}) \quad (8)$$

$$f_{IF1} = \frac{f_{RF} + N_{LO2} f_{IF2}}{N_{LO2} + 1} \quad f_{IF1} = \frac{f_{RF} + 8\text{MHz}}{5} \quad (9)$$

Finally N and A can be calculated with formula (5).

2.2.3 Counter Setting Examples for SPI Mode

To provide some examples, the following table shows some counter settings for the reception of the well-known ISM and SRD frequency bands. The channel spacing is assumed to be $f_{CH} = 100\text{kHz}$. In below table all frequency units are in MHz.

Inj	f_{RF}	f_{IF1}	f_{LO1}	N_{tot}	N	P	A	f_{PFD}	R	f_{REF}	f_{LO2}	f_{IF2}
h-h	300	97.3	397.3	2980	93	32	4	0.133	75	10	99.3	2
h-h	315	102.3	417.3	3130	97	32	26	0.133	75	10	104.3	2
h-h	434	142	576	4320	135	32	0	0.133	75	10	144	2
h-h	470	154	624	4680	146	32	8	0.133	75	10	156	2
I-I	850	171.6	678.4	8480	256	32	0	0.08	125	10	169.6	2
I-I	868	175.2	692.8	8660	270	32	20	0.08	125	10	173.2	2
I-I	915	184.6	730.4	9130	285	32	10	0.08	125	10	182.6	2
I-I	930	187.6	742.4	9280	290	32	0	0.08	125	10	185.6	2

2.2.4 Counter Settings in ABC Mode – 8+1 Preconfigured Channels

In ABC mode (SPISEL=0), the counter settings are hard-wired. In below table all frequency units are in MHz.

CH	Inj	f _{RF}	f _{IF1}	f _{LO1}	N _{tot}	N	P	A	f _{PFD}	R	f _{REF}	f _{LO2}	f _{IF2}
1	h-l	369.5	125.8	495.3	3715	116	32	3	0.133	75	10	123.8	2
2	h-l	371.1	126.4	497.5	3731	116	32	19	0.133	75	10	124.4	2
3	h-l	375.3	127.8	503.1	3773	117	32	29	0.133	75	10	125.8	2
4	h-l	376.9	128.3	505.2	3789	118	32	13	0.133	75	10	126.3	2
5	h-l	384.0	130.7	514.7	3860	120	32	20	0.133	75	10	128.7	2
6	h-l	388.3	132.1	520.4	3903	121	32	31	0.133	75	10	130.1	2
7	h-l	391.5	133.2	524.7	3935	122	32	31	0.133	75	10	131.2	2
8	h-l	394.3	134.1	528.4	3963	123	32	27	0.133	75	10	132.1	2
9	h-l	395.9	134.6	530.5	3979	124	32	11	0.133	75	10	132.6	2

List of Mathematical Acronyms	
A	divider ratio of the swallow counter (part of feedback divider)
f _{FB}	frequency at the feedback divider output
floor(x)	The floor function gives the largest integer less than or equal to x. For example, floor(5.4) gives 5, floor(-6.3) gives -7.
f _{PFD}	PFD frequency in locked state
$\frac{f_{RO}}{R} = f_R$	reference frequency of the PLL
f _{RO}	frequency of the crystal reference oscillator
f _{VCO}	frequency of the VCO (equals the LO1 signal of the first mixer)
N _{tot} = N · P + A	total divider ratio of the PLL feedback path
N	divider ratio of the program counter (part of feedback divider)
N _{LO2}	LO2DIV divider ratio, to derive the LO2 signal from LO1 (N ₁ = 4 or 8)
P	divider ratio of the prescaler (part of feedback divider)
R	divider ratio of the reference divider R

2.2.5 PLL Counter Ranges

In order to cover the frequency range of about 300 to 930MHz the following counter values are implemented in the receiver:

PLL Counter Ranges			
A	N	R	P
0 to 31 (5bit)	3 to 2047 (11bit)	3 to 2047 (11bit)	32

Therefore the minimum and maximum divider ratios of the PLL feedback divider are given by:

$$N_{\text{totmin}} = 32 \cdot 32 = 1024 \quad N_{\text{totmax}} = 2047 \cdot 32 + 31 = 65535$$

2.3 SPI Description

2.3.1 General

Serial programming interface (SPI) mode can be activated by choosing SPISEL = 1 (e.g. at positive supply voltage V_{CC}). In this mode, the input pins 17, 18 and 19 are used as a 3-wire unidirectional serial bus interface (SDEN, SDTA, SCLK). The internal latches contain all user programmable variables including counter settings, mode bits etc.

In addition the MFO pin can be programmed as an output (see section 3.1.4) in order to read data from the internal latches and it can be used as an output for different test modes as well.

At each rising edge of the SCLK signal, the logic value at the SDTA terminal is written into a shift register. The programming information is taken over into internal latches with the rising edge of SDEN. Additional leading bits are ignored, only the last bits are serially clocked into the shift register. A normal write operation shifts 16 bits into the SPI, a normal read operation shifts 4 bits into the SPI and reads additional 12 bits from the MFO pin. If less than 12 data bits are shifted into SDTA during the write operation then the control register may contain invalid information.

In general a control word has the following format. Bit 0 is the Read/Write bit that determines whether it is a read (R/W = 1) or a write (R/W = 0) sequence. The R/W bit is preceding the latch address and the corresponding data bits.

Control Word Format															
Data											Latch Address		Mode		
MSB											LSB	MSB	LSB	Bit 0	
D11	D10	D9	D8	D7	D6	D5	D4	D3	D2	D1	D0	A2	A2	A0	R/W

There are two control word formats for read and for write operation. Data bits are only needed in write mode. Read operations require only a latch address and a R/W bit.

Due to the static CMOS design, the serial interface consumes virtually no current. The SPI is a fully separate building block and can therefore be programmed in every operational mode.

2.3.2 Read / Write Sequences

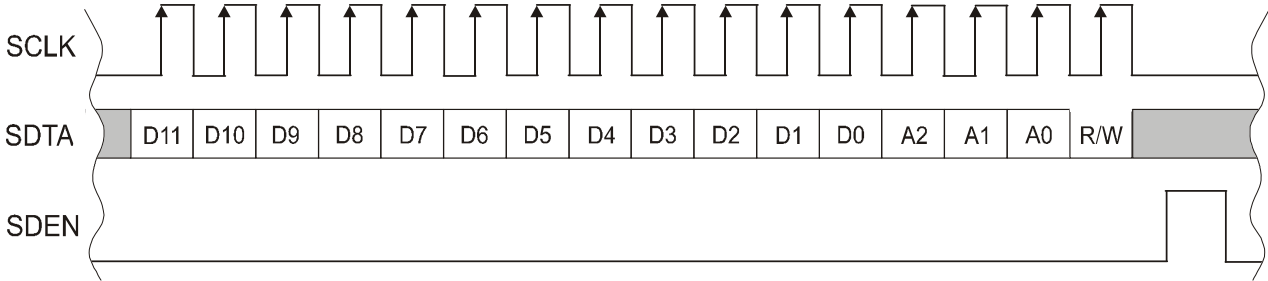


Fig. 6 Typical write sequence diagram

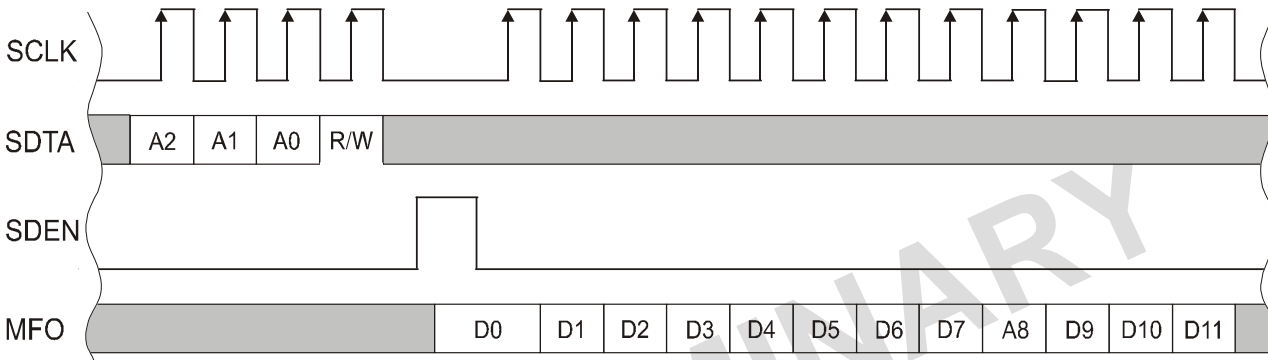


Fig. 7 Typical read sequence diagram

2.3.3 Serial Programming Interface Timing

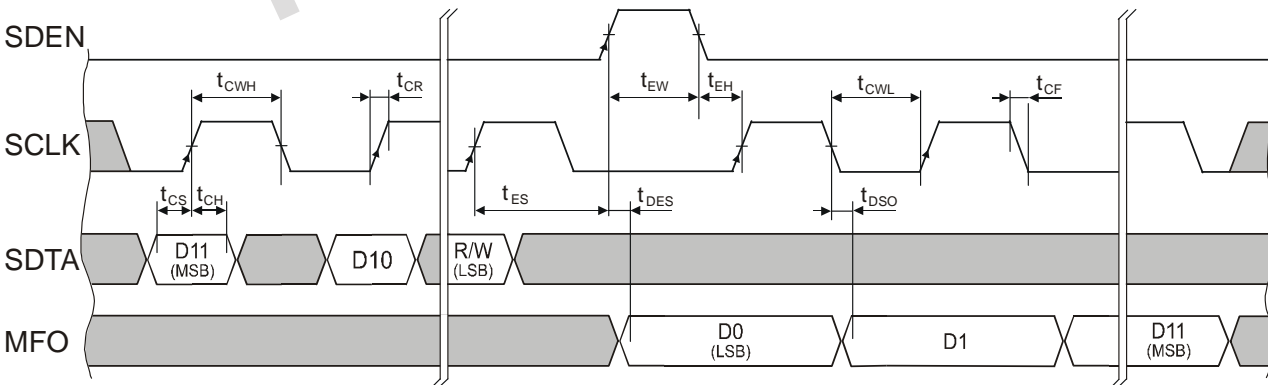


Fig. 8 SPI timing diagram

3 Register Description

The following tables are to describe the functionality of the registers.

Sec. 3.1 provides a register overview with all the control words R0 to R7. The subsequent sections. 3.1.1 to 3.1.8 show the content of the control words in more detail.

Programming the registers requires SPI mode (SPISEL = 1). Default settings are for ABC mode.

3.1 Register Overview

CONTROL WORD	DATA												LATCH ADDRESS			
	MSB												LSB		MSB	LSB
Bit No.	11	10	9	8	7	6	5	4	3	2	1	0				
default	0	0	0	0	1	0	0	0	1	1	0	0	0	0	0	
R0	DTAPOL	SLCSEL	SSBSEL	DEMGAIN	IFFGAIN [1:0]		MIX2GAIN	MIX1GAIN	LNAGAIN [1:0]		OPMODE [1:0]		read/write			
Bit No.	11	10	9	8	7	6	5	4	3	2	1	0				
default	1	0	0	0	1	1	1	1	0	1	0	0	0	0	1	
R1	SHOWLD	PRESCUR	VCOBUF	VCOCUR	VCORANGE	RSSIGAIN	LDTIME [1:0]		LDERR	PFDPOL	CPCUR [1:0]		read/write			
Bit No.	11	10	9	8	7	6	5	4	3	2	1	0				
default	1	1	1	1	0	0	0	1	0	1	0	0	0	1	0	
R2	N [6:0]						A [4:0]						read/write			
Bit No.	11	10	9	8	7	6	5	4	3	2	1	0				
default	0	0	0	1	0	0	0	0	0	0	0	0	0	1	1	
R3	MFO [3:0]			AGCDEL [1:0]			AGCEN	LO2DIV	N [10:7]					read/write		

CONTROL WORD	DATA												LATCH ADDRESS							
	MSB						LSB						MSB		LSB					
R4	AGCMODE							R [10:0]							read/		write			
Bit No.	11	10	9	8	7	6	5	4	3	2	1	0	MSB		LSB					
default	0	0	0	0	0	1	0	0	1	0	1	1	1	0	0					
R5	MODSEL							RIFF [10:0]							read/		write			
Bit No.	11	10	9	8	7	6	5	4	3	2	1	0	MSB		LSB					
default	0	0	1	0	1	0	1	0	1	1	0	0	1	0	1					
R6	ROCUR [1:0]		IFFTUNE	IFFHLT							IFFPRES [7:0]							read/		write
Bit No.	11	10	9	8	7	6	5	4	3	2	1	0	MSB		LSB					
default	1	1	1	0	1	0	0	0	0	1	0	1	1	1	0					
R7	RSSIH	LDRSSIL*	IFFSTATE [1:0]								IFFVAL [7:0]							read-		only
Bit No.	11	10	9	8	7	6	5	4	3	2	1	0	MSB		LSB					
default													1	1	1					

Note: * depends on bit 11 in R4, 0 = RSSIL, 1 = LD

3.1.1 Control Word R0

Name	Bits	Description		
OPMODE	[1:0]	operation mode		
		00	shutdown	#default
		01	receive mode	
		10	reference oscillator & BIAS only	
		11	synthesizer only	
LNAGAIN	[3:2]	LNA gain		
		00	lowest gain (default – 20dB)	
		01	low gain (default – 6dB)	
		10	high gain (default – 2dB)	
		11	highest gain (default – 0dB)	#default
		gain values are relative to gain at default		
MIX1GAIN	[4]	1 st Mixer gain		
		0	high gain (14dB)	#default
		1	low gain (0dB)	
MIX2GAIN	[5]	2 nd Mixer gain		
		0	high gain (9dB)	#default
		1	low gain (-2dB)	
IFFGAIN	[7:6]	intermediate frequency filter gain		
		00	lowest gain (-14dB)	
		01	low gain (-6dB)	
		10	high gain (0dB)	#default
		11	highest gain (+6dB)	
DEMGAIN	[8]	demodulator gain		
		0	low gain (~ 12mV/kHz)	#default
		1	high gain (~ 14.5mV/kHz)	
SSBSEL	[9]	single side band selection		
		0	upper side band LO2 low-side inj. (IF1 = LO2 + IF2)	#default
		1	lower side band LO2 high-side inj. (IF1 = LO2 – IF2)	
		Internal IF2 = 2MHz		
SLCSEL	[10]	slicer mode select		
		0	averaging Data Slicer mode	#default
		1	peak detector Data Slicer mode	
DTAPOL	[11]	data output polarity OA2		
		0	inverted	#default
		'1' for space at ASK or f _{min} at FSK, '0' for mark at ASK or f _{max} at FSK		
		1	normal	
		'0' for space at ASK or f _{min} at FSK, '1' for mark at ASK or f _{max} at FSK		

3.1.2 Control Word R1

Name	Bits	Description	
CPCUR	[1:0]	charge pump current setting	
		00	100µA
		01	400µA
		10	400µA static down
		11	400µA static up
PFDPOL	[2]	PFD output polarity	
		0	negative
		1	positive
LDERR	[3]	lock detector time error	
		0	15ns
		1	30ns
LDTIME	[5:4]	lock detection time	
		00	$2/f_R$
		01	$4/f_R$
		10	$8/f_R$
		11	$16/f_R$
		minimum time span before lock in f_R is the reference oscillator frequency f_{RO} divided by R, see section 3.1.5 (R4)	
RSSIGAIN	[6]	sensitivity of RSSI voltage	
		0	low gain (~39mV/dB)
		1	high gain (~51mV/dB)
VCORANGE	[7]	VCO range	
		0	3V supply
		1	5V supply
		VCO range setting for different VCCs.	
VCOCUR	[8]	VCO core current	
		0	450µA
		1	520µA
VCOBUF	[9]	VCO buffer current	
		0	900µA
		1	1040µA
PRESCUR	[10]	prescaler 32/33 reference current	
		0	20µA
		1	30µA
		30µA may be used for $f_{RF} = 868/915\text{MHz}$	
SHOWLD	[11]	function of LDRSSIL bit	
		0	RSSIL (RSSI low flag)
		1	LD (lock detection flag)
		select output data of LDRSSIL, see section 3.1.8 (R7)	

3.1.3 Control Word R2

Name	Bits	Description	
A	[4:0]	swallow counter value	
		10100	value is 20 #default swallow counter range: 0 to 31
N	[11:5]	program counter value (bits 0 – 6)	
		000 0111 1000	N value is 120 #default N counter range: 3 to 2047

3.1.4 Control Word R3

N	[3:0]	program counter range (bits 7 – 10)	
		000 0111 1000	N value is 120 #default N counter range: 3 to 2047
LO2DIV	[4]	LO2 divider ratio	
		0 1	divide by 4 divide by 8 #default
AGCEN	[5]	AGC enable mode	
		0 1	disabled enabled #default
AGCDEL	[7:6]	AGC delay settings	
		00 01 10 11	no delay 3/f_{IFF} 15/f_{IFF} 31/f_{IFF} #default f _{IFF} is the reference oscillator frequency f _{RO} divided by RIFF, see section 3.1.6 (R6)
MFO	[11:8]	multi functional output	
		0000 0001 0010 0011 0100 0101 1000	MFO is in Z state MFO is SPI read-out MFO = 0 MFO = 1 MFO is analog RO output MFO is IFF output MFO is lock detector output #default

3.1.5 Control Word R4

Name	Bits	Description	
R	[10:0]	reference divider range	
		000 0100 1011	value is 75 #default R counter range: 3 to 2047
AGCMODE	[11]	AGC delay mode	
		0	gain decrease and increase with delay #default
		1	gain decrease without delay, gain increase with delay
selects AGC delay mode in combination with AGCDEL bits, see section 3.1.4 (R3)			

3.1.6 Control Word R5

Name	Bits	Description	
RIFF	[10:0]	reference divider value for IFF adjustment	
		010 1010 1100	value is 684 #default IFF counter range: 4 to 2047
MODSEL	[11]	demodulation selection	
		0	FSK demodulation #default
		1	ASK demodulation
selects modulation type when chip is controlled via SPI mode			

3.1.7 Control Word R6

Name	Bits	Description	
IFFPRES	[7:0]	IFF preset value	
		0101 1011	value is 91 #default IFF DAC preset at start of automatic tuning
IFFHLT	[8]	IFF halt	
		0	auto tuning running #default
		1	auto tuning halted
suspends IFF automatic tuning			
IFFTUNE	[9]	IFF tuning	
		0	disable and load DAC with IFFPRES #default
1	enable		
ROCUR	[11:10]	reference Oscillator core current	
		00	85µA
		01	170µA
		10	270µA
		11	355µA #default

3.1.8 Control Word R7 (Read-only Register)

Name	Bits	Description
IFFVAL	[7:0]	IFF adjustment value
		see also IFFPRES in section 3.1.7 (R6)
IFFSTATE	[9:8]	IFF automatic tuning state
		00 filter tuned or auto-tuning disabled
		01 tuning up the filter frequency
		10 tuning down the filter frequency
11 master oscillator of filter does not work		
LDRSSIL	[10]	lock detector or RSSI low flag
		0 PLL not locked or RSSI value in lower region
		1 PLL locked or RSSI value above lower region
		depends on SHOWLD in section 3.1.2 (R1)
RSSIH	[11]	RSSI high flag
		0 RSSI value below upper region
		1 RSSI value in upper region

PRELIMINARY

4 Application Circuits for SPI Mode

4.1 Averaging Data Slicer Configured for Bi-Phase Codes

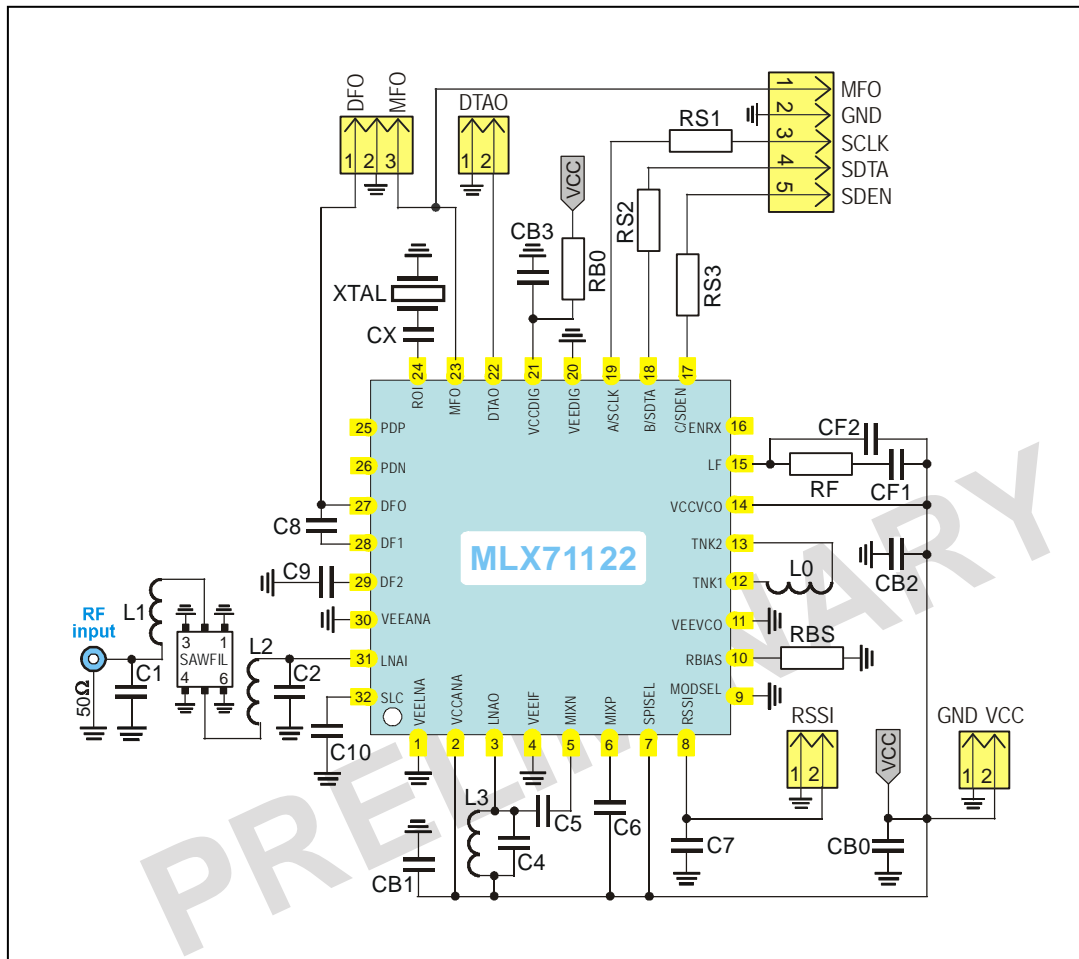


Fig. 6: Application circuit for SPI Mode (averaging data slicer option)

Note

- EVB71122 default population is SPI mode

Board size is 49mm x 35.6mm

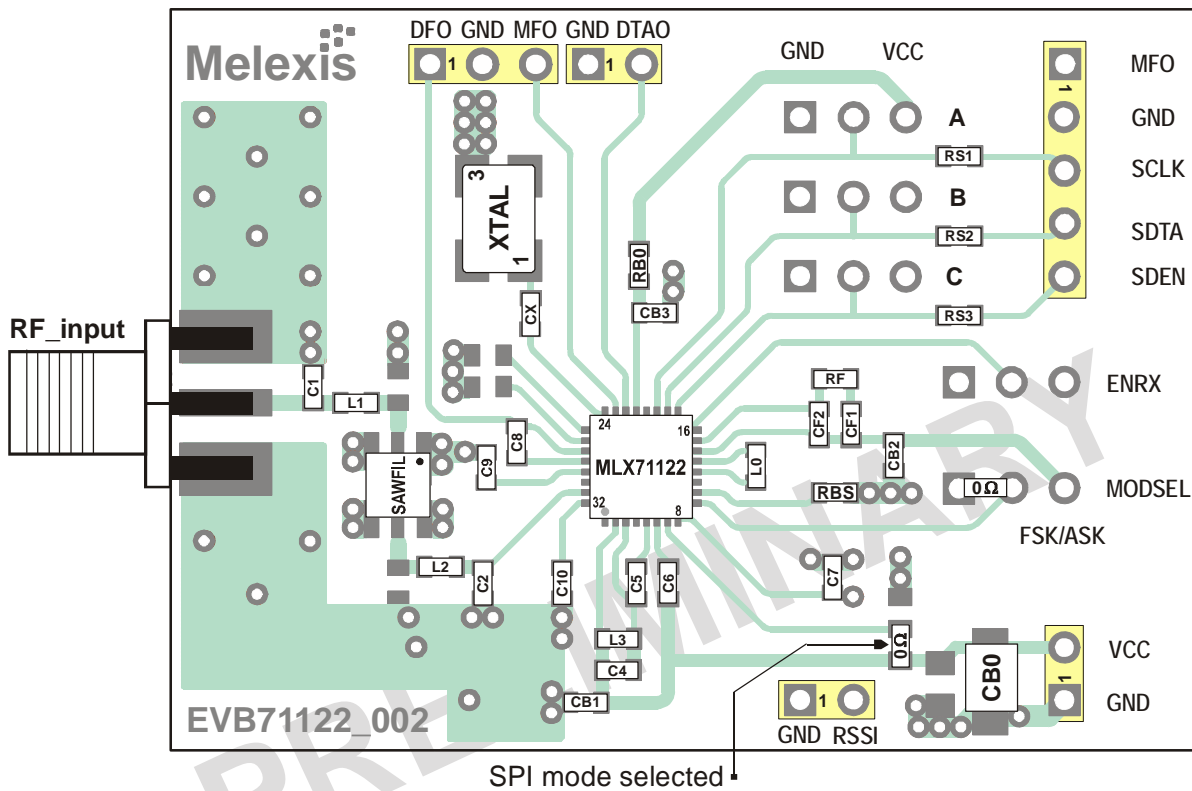


Fig. 7: PCB Top-side view (averaging data slicer option)

4.2 Peak Detector Data Slicer Configured for NRZ Codes

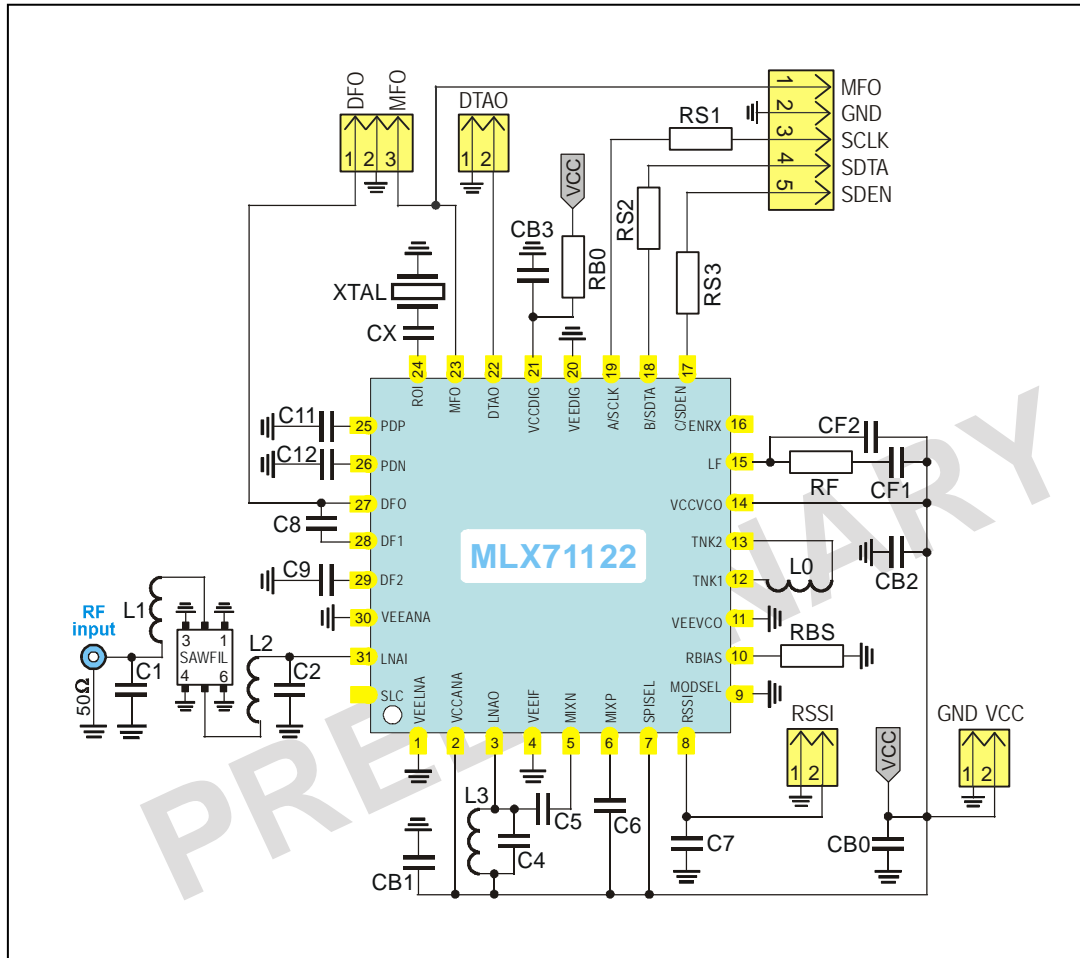


Fig. 8: Application circuit for SPI Mode (peak detector option)

Note

- EVB71122 default population is SPI mode

Board size is 49mm x 35.6mm

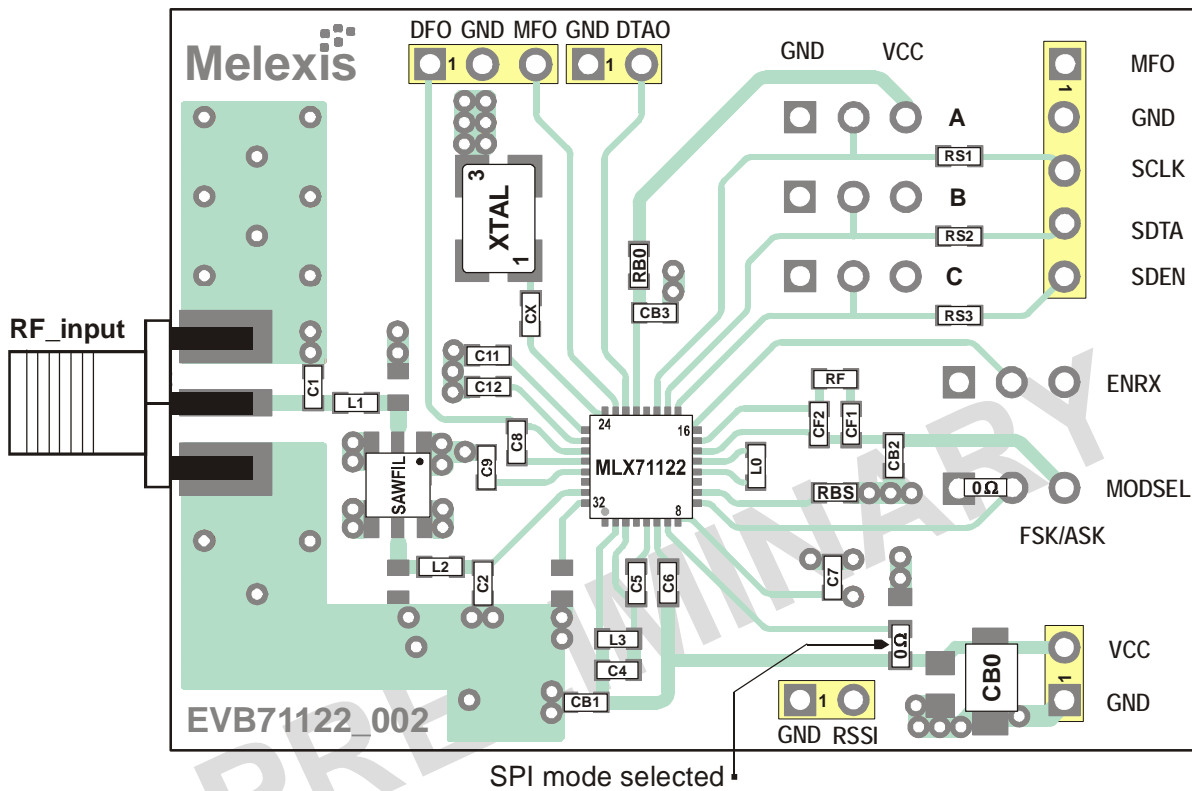


Fig. 9: PCB Top-side view (peak detector option)

4.2.1 Board Component Values List (SPI mode)

Below table is for the application circuits show in Figures 6 and 8

Part	Size	Value @ 315 MHz	Value @ 433.9 MHz	Value @ 868.3 MHz	Value @ 915 MHz	Tol.	Description
C1	0603	NIP	NIP	3.3 pF	NIP	±5%	matching capacitor
C2	0603	NIP	NIP	NIP	NIP	±5%	matching capacitor
C4	0603	4.7 pF	3.3 pF	2.7 pF	2.2 pF	±5%	LNA output tank capacitor
C5	0603	100 pF	100 pF	100 pF	100 pF	±5%	MIX1 negative input matching capacitor
C6	0603	100 pF	100 pF	100 pF	100 pF	±5%	MIX1 negative input matching capacitor
C7	0603	1 nF	1 nF	1 nF	1 nF	±10%	RSSI output low pass capacitor, this value for data rate of 4 kbps NRZ
C8	0603	220 pF	220 pF	220 pF	220 pF	±10%	data low-pass filter capacitor, this value for data rate of 4 kbps NRZ
C9	0603	150 pF	150 pF	150 pF	150 pF	±10%	data low-pass filter capacitor, this value for data rate of 4 kbps NRZ
C10	0603	33 nF	33 nF	33 nF	33 nF	±10%	data slicer capacitor, this value for data rate of 4 kbps NRZ
C11	0603	33 nF	33 nF	33 nF	33 nF	±10%	peak detector positive filtering capacitor
C12	0603	33 nF	33 nF	33 nF	33 nF	±10%	peak detector negative filtering capacitor
CB0	1210	10 μF	10 μF	10 μF	10 μF	±10%	decoupling capacitor, low-noise power supply recommended
CB1	0603	470 pF	470 pF	470 pF	470 pF	±10%	decoupling capacitor
CB2	0603	33 nF	33 nF	33 nF	33 nF	±10%	decoupling capacitor
CB3	0603	33 nF	33 nF	33 nF	33 nF	±10%	decoupling capacitor
CF1	0603	2.2 nF	2.2 nF	2.2 nF	2.2 nF	±5%	loop filter capacitor
CF2	0603	220 pF	220 pF	220 pF	220 pF	±5%	loop filter capacitor
CX	0603	27 pF	27 pF	27 pF	27 pF	±5%	crystal series capacitor
RB0	0603	10 Ω	10 Ω	10 Ω	10 Ω	±5%	protection resistor
RF	0603	27 kΩ	27 kΩ	47 kΩ	47 kΩ	±5%	loop filter resistor
RBS	0603	30 kΩ	30 kΩ	30 kΩ	30 kΩ	±2%	reference bias resistor
RS1...RS3		10 kΩ	10 kΩ	10 kΩ	10 kΩ	±5%	protection resistor
L0	0603	33 nH	15 nH	8.2 nH	8.2 nH	±5%	VCO tank inductor
L1	0603	0 Ω	56 nH	22 nH	0 Ω	±5%	matching inductor
L2	0603	82 nH	82 nH	22 nH	8.2 nH	±5%	matching inductor
L3	0603	33 nH	22 nH	5.6 nH	5.6 nH	±5%	LNA output tank inductor
XTAL	SMD 5x3.2	10.00000 MHz / ±20ppm cal., ±30ppm temp.					fundamental-mode crystal
SAW FIL	SMD 3x3	SAFDC315MS MOT00 (315 MHz)	SAFCC433MB LOX00 (433.92 MHz)	SAFCC868MS LOX00 (868.3 MHz)	SAFCH915MA LON00 (915 MHz)		low-loss SAW filter from Murata or equivalent part

Note: - NIP – not in place, may be used optionally

5 Application for 8-Channel Preconfigured (ABC) Mode

5.1 Averaging Data Slicer Configured for Bi-Phase Codes

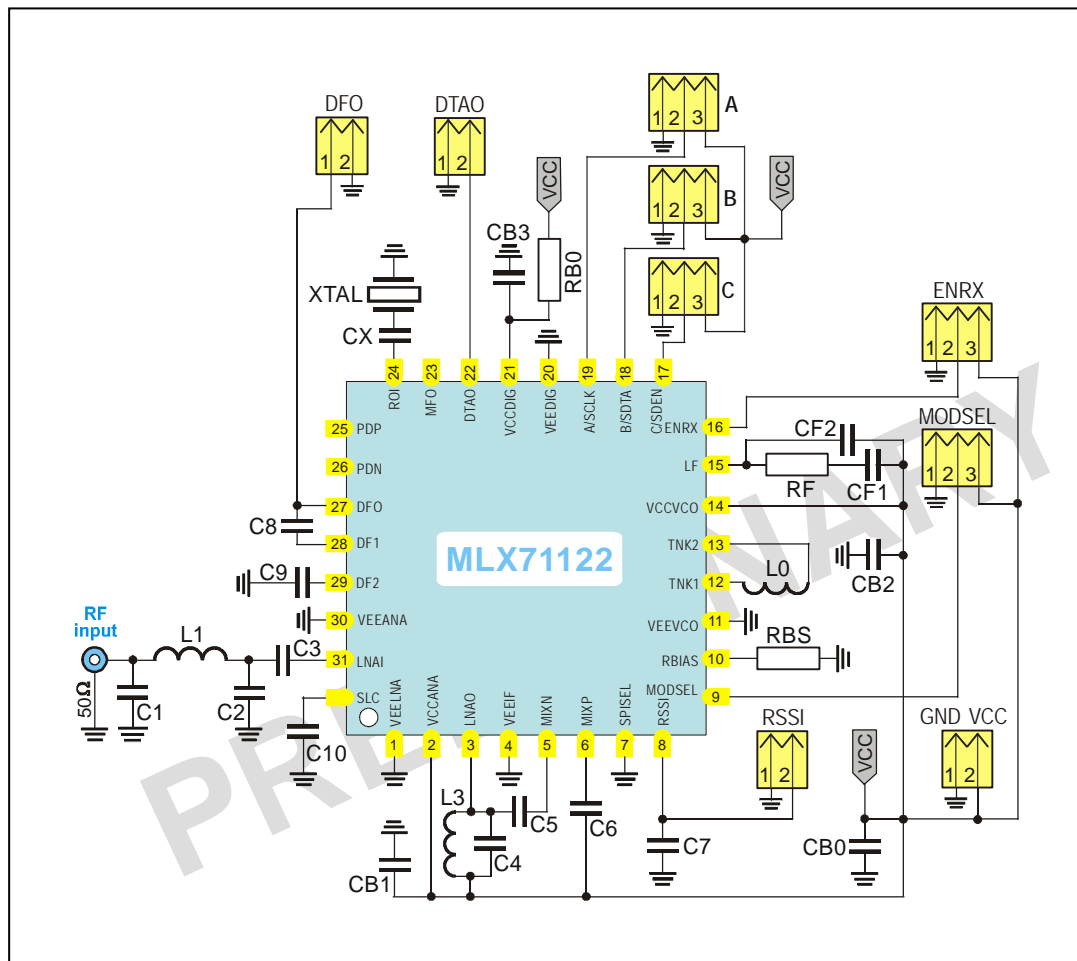


Fig. 10: Application circuit for ABC Mode

Note

- ABC mode population can be easily modified from default SPI mode population by changing the connection at SPISEL from VCC to ground.

Board size is 49mm x 35.6mm

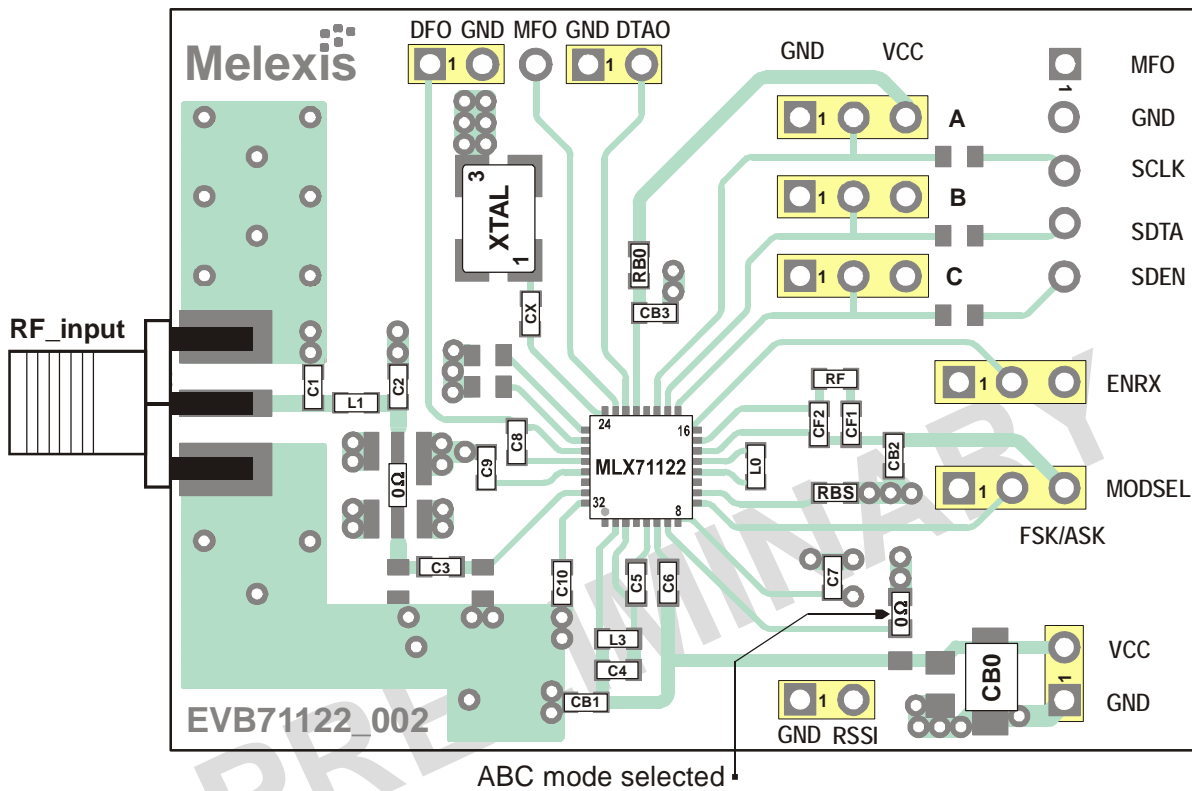


Fig. 11: PCB Top-side view (ABC Mode)

5.1.1 Board Component Values List (ABC mode)

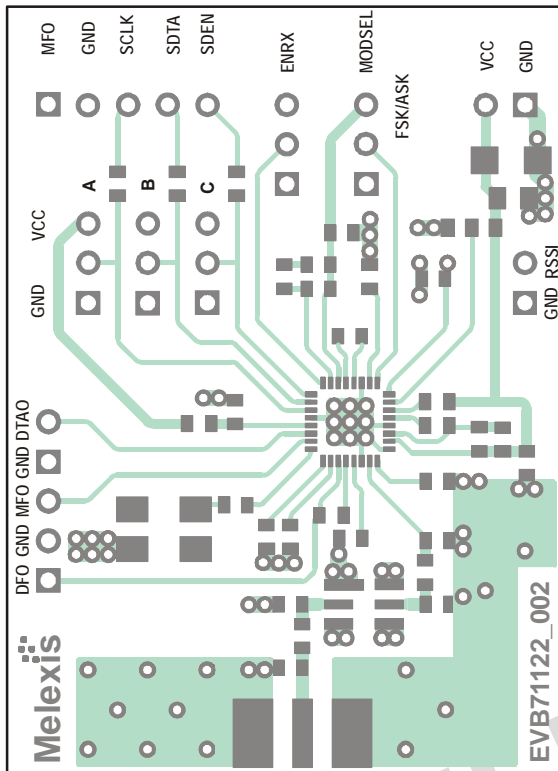
Below table is for the application circuit shows in Figures 10

Part	Size	Value @ 369 MHz to 396 MHz	Tol.	Description
C1	0603	NIP	±5%	matching capacitor
C2	0603	NIP	±5%	matching capacitor
C3	0603	100 pF	±5%	LNA input filtering capacitor
C4	0603	3.3 pF	±5%	LNA output tank capacitor
C5	0603	100 pF	±5%	MIX1 negative input matching capacitor
C6	0603	100 pF	±5%	MIX1 negative input matching capacitor
C7	0603	1 nF	±10%	RSSI output low pass capacitor, this value for data rate of 4 kbps NRZ
C8	0603	220 pF	±10%	data low-pass filter capacitor, this value for data rate of 4 kbps NRZ
C9	0603	150 pF	±10%	data low-pass filter capacitor, this value for data rate of 4 kbps NRZ
C10	0603	33 nF	±10%	data slicer capacitor, this value for data rate of 4 kbps NRZ
CB0	1210	10 μF	±10%	decoupling capacitor, low-noise power supply recommended
CB1	0603	470 pF	±10%	decoupling capacitor
CB2	0603	33 nF	±10%	decoupling capacitor
CB3	0603	33 nF	±10%	decoupling capacitor
CF1	0603	2.2 nF	±5%	loop filter capacitor
CF2	0603	220 pF	±5%	loop filter capacitor
CX	0603	27 pF	±5%	crystal series capacitor
RB0	0603	10 Ω	±5%	protection resistor
RF	0603	27 kΩ	±5%	loop filter resistor
RBS	0603	30 kΩ	±2%	reference bias resistor
RS1...RS3	0603	10 kΩ	±5%	protection resistor
L0	0603	18 nH	±5%	VCO tank inductor
L1	0603	39 nH	±5%	matching inductor
L3	0603	27 nH	±5%	LNA output tank inductor
XTAL	SMD 5x3.2	10.00000 MHz / ±20ppm cal., ±30ppm temp.		fundamental-mode crystal

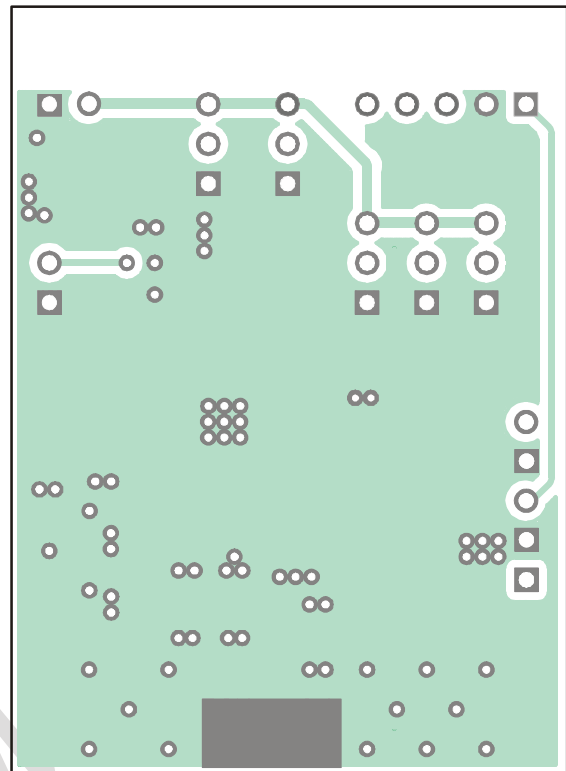
Note: - NIP – not in place, may be used optionally

6 Evaluation Board Layouts

Board layout data in Gerber format is available, board size is 35.6mm x 49mm.




PCB top view



PCB bottom view

PRELIM

7 Package Description

 The device MLX71122 is RoHS compliant.

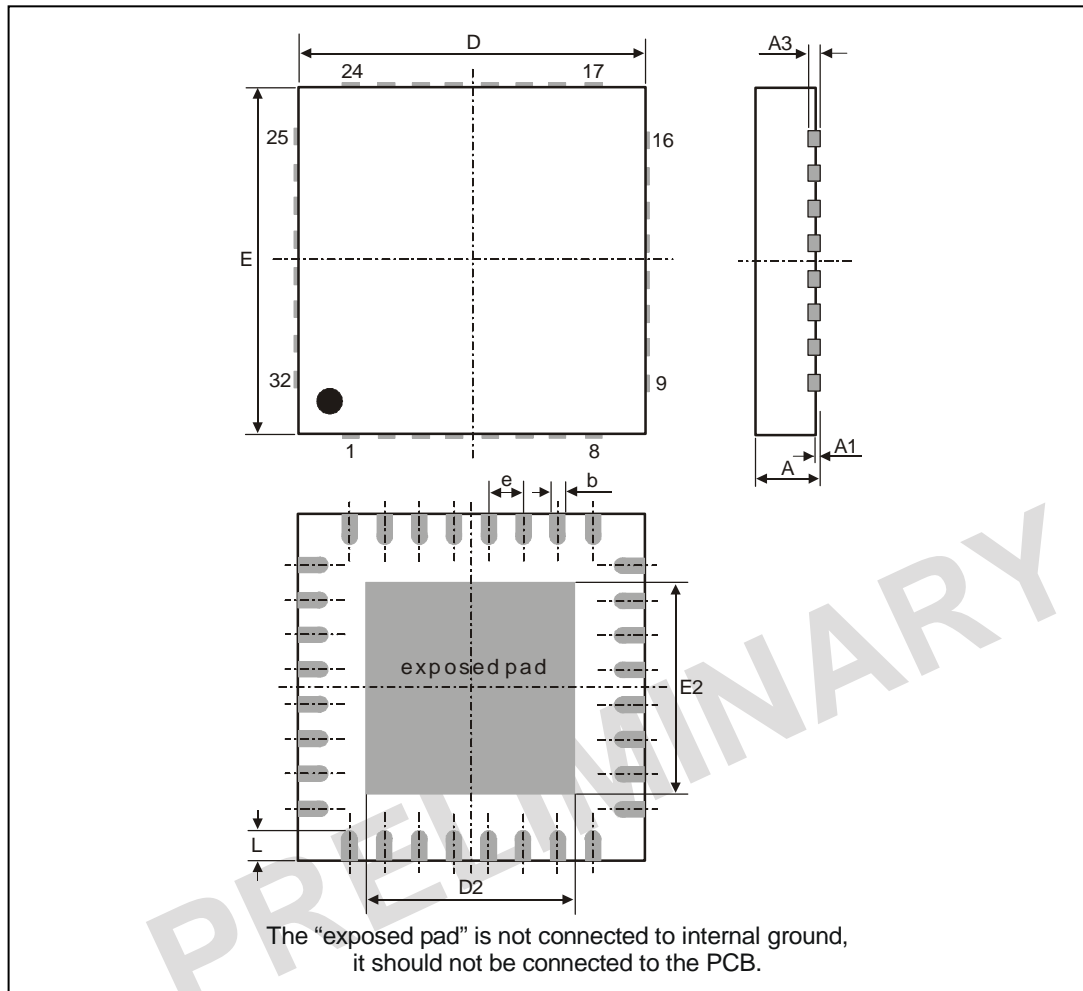


Fig 12: 32L QFN 5x5 Quad

all Dimension in mm										
	D	E	D2	E2	A	A1	A3	L	e	b
min	4.75	4.75	3.00	3.00	0.80	0	0.20	0.3	0.50	0.18
max	5.25	5.25	3.25	3.25	1.00	0.05		0.5		0.30
all Dimension in inch										
min	0.187	0.187	0.118	0.118	0.0315	0	0.0079	0.0118	0.0197	0.0071
max	0.207	0.207	0.128	0.128	0.0393	0.002		0.0197		0.0118

7.1 Soldering Information

The device MLX71122 is qualified for MSL3 with soldering peak temperature 260 deg C according to JEDEC J-STD-20

8 Reliability Information

This Melexis device is classified and qualified regarding soldering technology, solderability and moisture sensitivity level, as defined in this specification, according to following test methods:

Reflow Soldering SMD's (Surface Mount Devices)

- IPC/JEDEC J-STD-020
"Moisture/Reflow Sensitivity Classification for Nonhermetic Solid State Surface Mount Devices (classification reflow profiles according to table 5-2)"

Wave Soldering SMD's (Surface Mount Devices)

- EN60749-20
"Resistance of plastic- encapsulated SMD's to combined effect of moisture and soldering heat"

Solderability SMD's (Surface Mount Devices)

- EIA/JEDEC JESD22-B102
"Solderability"

For all soldering technologies deviating from above mentioned standard conditions (regarding peak temperature, temperature gradient, temperature profile etc) additional classification and qualification tests have to be agreed upon with Melexis.

The application of Wave Soldering for SMD's is allowed only after consulting Melexis regarding assurance of adhesive strength between device and board.

9 ESD Precautions

Electronic semiconductor products are sensitive to Electro Static Discharge (ESD). Always observe Electro Static Discharge control procedures whenever handling semiconductor products.

Your Notes

PRELIMINARY

10 Disclaimer

- 1) The information included in this documentation is subject to Melexis intellectual and other property rights. Reproduction of information is permissible only if the information will not be altered and is accompanied by all associated conditions, limitations and notices.
 - 2) Any use of the documentation without the prior written consent of Melexis other than the one set forth in clause 1 is an unfair and deceptive business practice. Melexis is not responsible or liable for such altered documentation.
 - 3) The information furnished by Melexis in this documentation is provided 'as is'. Except as expressly warranted in any other applicable license agreement, Melexis disclaims all warranties either express, implied, statutory or otherwise including but not limited to the merchantability, fitness for a particular purpose, title and non-infringement with regard to the content of this documentation.
 - 4) Notwithstanding the fact that Melexis endeavors to take care of the concept and content of this documentation, it may include technical or factual inaccuracies or typographical errors. Melexis disclaims any responsibility in connection herewith.
 - 5) Melexis reserves the right to change the documentation, the specifications and prices at any time and without notice. Therefore, prior to designing this product into a system, it is necessary to check with Melexis for current information.
 - 6) Melexis shall not be liable to recipient or any third party for any damages, including but not limited to personal injury, property damage, loss of profits, loss of use, interrupt of business or indirect, special incidental or consequential damages, of any kind, in connection with or arising out of the furnishing, performance or use of the information in this documentation.
 - 7) The product described in this documentation is intended for use in normal commercial applications. Applications requiring operation beyond ranges specified in this documentation, unusual environmental requirements, or high reliability applications, such as military, medical life-support or life-sustaining equipment are specifically not recommended without additional processing by Melexis for each application.
 - 8) Any supply of products by Melexis will be governed by the Melexis Terms of Sale, published on www.melexis.com.
- © Melexis NV. All rights reserved.

For the latest version of this document, go to our website at:

www.melexis.com

Or for additional information contact Melexis Direct:

Europe, Africa:	Americas:	Asia:
Phone: +32 1367 0495	Phone: +1 603 223 2362	Phone: +32 1367 0495
E-mail: sales_europe@melexis.com	E-mail: sales_usa@melexis.com	E-mail: sales_asia@melexis.com

ISO/TS 16949 and ISO14001 Certified