

4

3

2

1

NOTES:

1. MATERIAL:

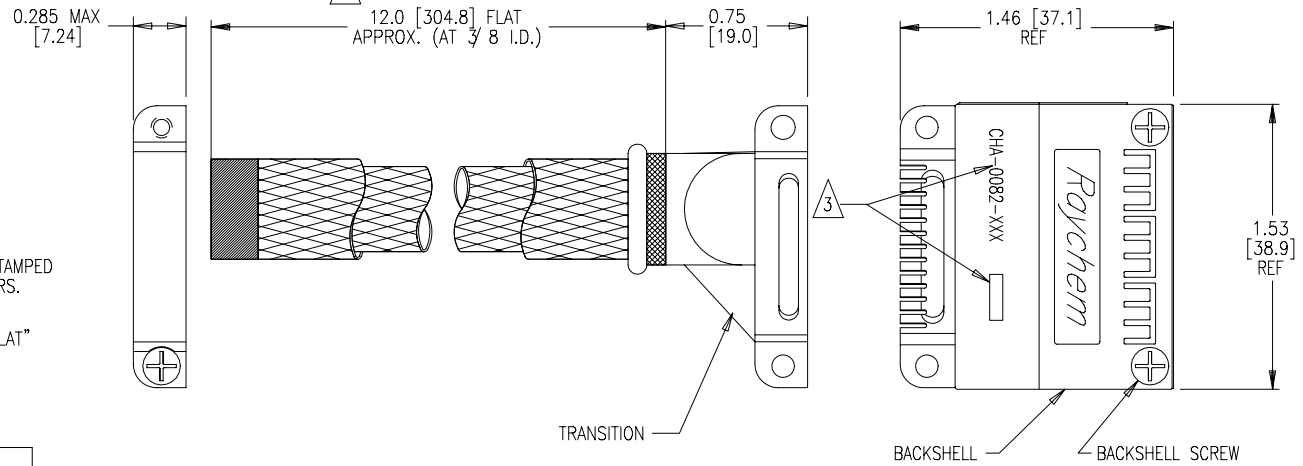
A) BACKSHELL	COPPER ALLOY 172 PER QQ-A-533.
B) BACKSHELL SCREW	STAINLESS STEEL PER QQ-S-763, 300 SERIES
C) CLAMP BAR	STAINLESS STEEL PER QQ-S-766, 300 SERIES
D) TRANSITION	ALUMINUM ALLOY PER QQ-A-356.
E) CLAMP SCREW	STAINLESS STEEL PER QQ-S-766, 300 SERIES
F) BRAID	COPPER ALLOY
G) TINEL™ LOCK RING	ALLOY X
H) BRAID END COVER	SILICONE ELASTOMER

2. FINISH:

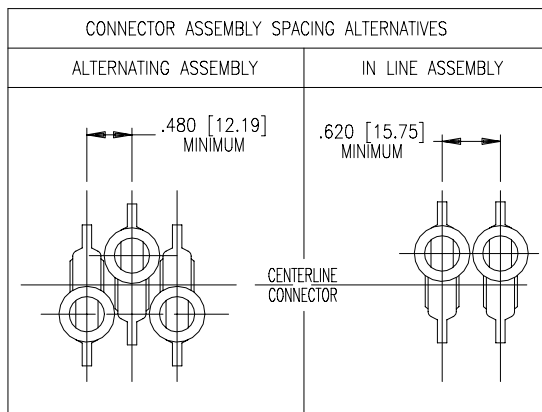
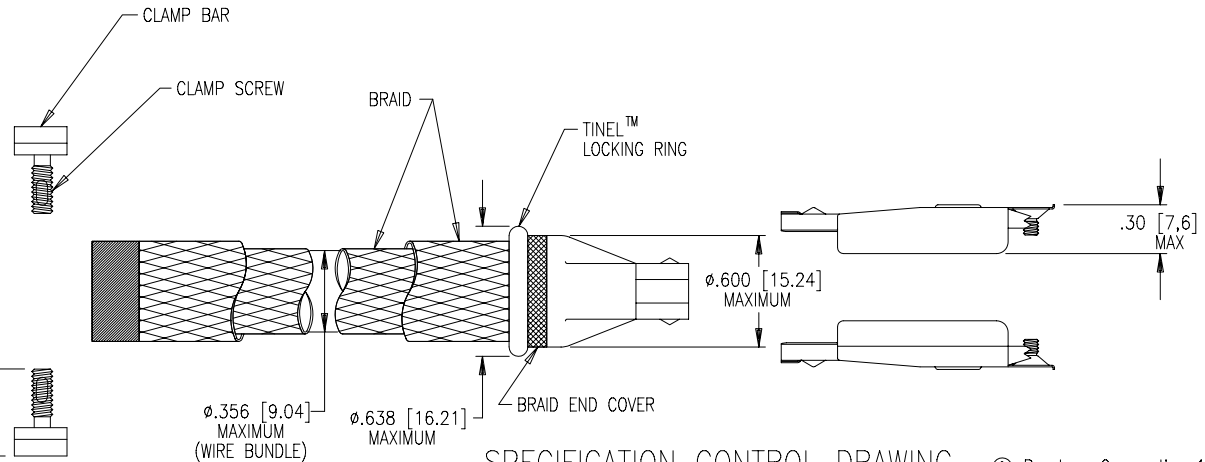
A) BACKSHELL	CADMIUM PLATED PER QQ-P-416
B) BACKSHELL SCREW	CADMIUM PLATED PER QQ-P-416
C) CLAMP BAR	CADMIUM PLATED PER QQ-P-416
D) TRANSITION	CADMIUM PLATED PER QQ-P-416
E) CLAMP SCREW	CADMIUM PLATED PER QQ-P-416
F) BRAID	TIN PLATED
G) TINEL™ LOCK RING	AS MANUFACTURED

3. RAYCHEM PART NUMBER CHA-0082-XXX AND DATE CODE ARE STAMPED APPROXIMATELY AS SHOWN. SEE TABULATION FOR PART NUMBERS.

4. THE 12.0 APPROX., LENGTH APPLIES TO THE BRAID IN ITS "FLAT" AS SUPPLIED CONDITION.



P/N ³	DESCRIPTION	COMMENTS
CHA-0082	AS SHOWN	
CHA-0082-010	AS SHOWN EXCEPT SUPPLIED W/O BRAID & BRAID END COVER	DESIGNED TO ACCOMMODATE A DOUBLE LAYER OF 36 GA. BRAID P/N QQ-B-575 R 36T 0375 OR A SINGLE LAYER OF 30 GA. BRAID P/N QQ-B-575 R 30T 0375 RECOMMENDED BRAID TERMINATION PROCEDURE IS DESCRIBED IN RAYCHEM SPECIFICATION NO. MIP-101.
CHA-0082-011	AS SHOWN EXCEPT SUPPLIED W/O BRAID & BRAID END COVER	DESIGNED TO ACCOMMODATE A SINGLE LAYER OF 36 GA. BRAID P/N QQ-B-575 R 36T 0375 RECOMMENDED BRAID TERMINATION PROCEDURE IS DESCRIBED IN RAYCHEM SPECIFICATION NO. MIP-101.



If this document is printed it becomes uncontrolled. Check with the web for latest revision.

SPECIFICATION CONTROL DRAWING © Raychem Corporation 1988

UNLESS OTHERWISE SPECIFIED DIMENSIONS ARE IN INCHES. METRIC DIMENSIONS ARE IN BRACKETS.

DECIMALS
.XXX ± .005 [.13mm]
.XX ± .02 [.5mm]

ANGLES
.X ±

WEIGHT: MAXIMUM
.0923lbs. [1.866g.]

DRAWN	C.K.	12-4-85
CHECKED	J.B.	
APPROVED	J.BLAIR	7-25-86
APPROVED	J.CAMERON	7-25-86
CAD NAME	001061	
THIRD ANGLE PROJECTION		

Raychem		RAYCHEM CORPORATION 300 CONSTITUTION DRIVE MENLO PARK, CALIFORNIA 94025	
		TITLE BACKSHELL, RECEPTACLE, 1", ROUND WIRE 3/8" I.D., OFFSET, EME, CADMIUM PLATED	
MTC SERIES			
SIZE	CODE IDENT. NO.	DWG. NO.	REV
C	06090	CHA-0082-XXX	A
DO NOT SCALE THIS DRAWING			

SHEET
CHA-0082-XXX
DWG. NO.

A

4

3

2

1

SHEET 1 OF 1