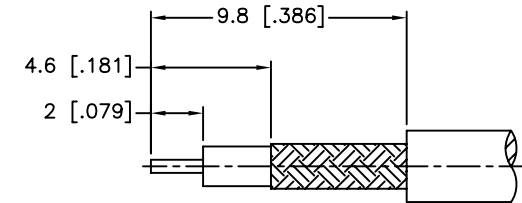
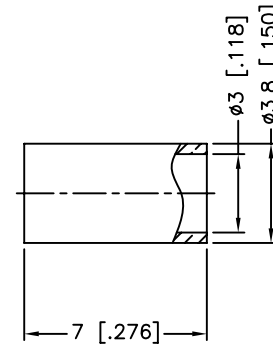
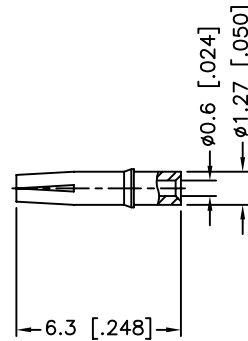
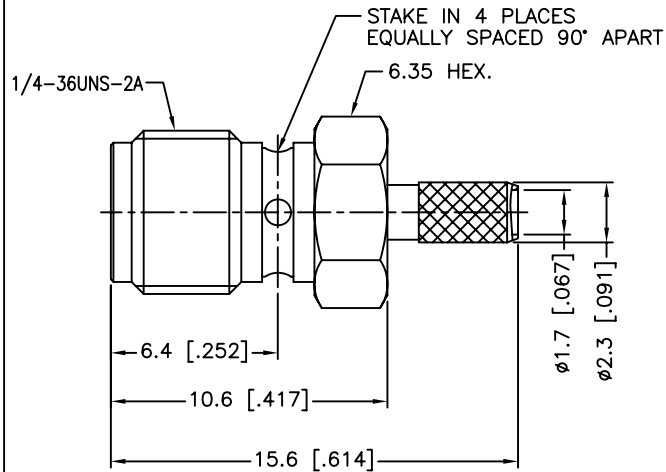


REV.	DATE	ECR NO.	DESCRIPTION
A	04/31/03	XXXXXX	UPDATE DRAWING FORMAT
B	06/20/11	2184	REMOVE THE WORD "BULKHEAD" FROM THE DESCRIPTION



RECOMMENDED  
CABLE STRIPPING DIM'S

- NOTE:
1. CRIMPED FERRULE  
HEX CRIMP SIZE 128"
  2. CONTACT PIN TO SOLDER

QTY	DESCRIPTION	MATERIAL	FINISH
1	FERRULE	COPPER	GOLD
1	CONTACT PIN	BER. COPPER	GOLD
1	INSULATOR	PTFE	NATURAL
1	BODY	BRASS	GOLD

UNLESS OTHERWISE SPECIFIED DIMENSIONS ARE  
IN MILLIMETERS. DIMENSIONS IN [ ] ARE IN  
INCHES AND FOR CUSTOMER REFERENCE ONLY.

UNLESS OTHERWISE SPECIFIED  
TOLERANCES FOR MILLIMETERS ARE:  
0.5 - 8mm ± 0.20mm  
8 - 30mm ± 0.40mm  
30 - 120mm ± 0.50mm

UNLESS OTHERWISE SPECIFIED  
TOLERANCES FOR INCHES ARE:  
.020 - .315 = ± 0.007"  
.315 - 1.180 = ± 0.015"  
1.180 - 4.724 = ± 0.020"

DO NOT SCALE DRAWING

APPROVALS	DATE
DRAWN M.ZHANG	06/20/11
CHECKED	
ISSUED	
SHEET 1 OF 1	
CAD FILE C:/CONNEX/132229.DWG	

Amphenol Connex			
PART DESCRIPTION SMA CRIMP JACK (FOR RG-174/U,188A/U,316/U CABLE)			
PART NO. 132229			
DWG. NO.	132229.DWG	REV. B	SIZE A SCALE NA