

ITEM ① PART NUMBER 138-4596-401	ITEM ② BODY BRASS TRI-ALLOY PL .0001 MIN	ITEM ③ STEM BRASS GOLD PL .00001 MIN OVER NICKEL PL .00005 MIN OVER COPPER PL .00005 MIN	ITEM ④ CONTACT BERYLLIUM COPPER GOLD PL .00005 MIN OVER NICKEL PL .00005 MIN OVER COPPER PL .00005 MIN	ITEM ⑤ REAR INSULATOR TEFLON	ITEM ⑥ FRONT INSULATOR TEFLON	ITEM ⑦ O-RING SILICONE RUBBER	ITEM ⑧ LOCKWASHER STEEL TRI-ALLOY .0001 MIN	ITEM ⑨ MOUNTING NUT BRASS NICKEL PL .0001 MIN OVER COPPER PL .00005 MIN
---------------------------------------	---	---	---	------------------------------------	-------------------------------------	--	--	---

DRAWING NO.
C - 138-4596-401/410

0 REVISIONS

ENGINEERING RELEASE

1	12-21-05	P A T	J R K	P D W	M J U	4-7-06 ECN 50129
---	----------	-------------	-------------	-------------	-------------	---------------------

.045-.400 WAS .045-.125

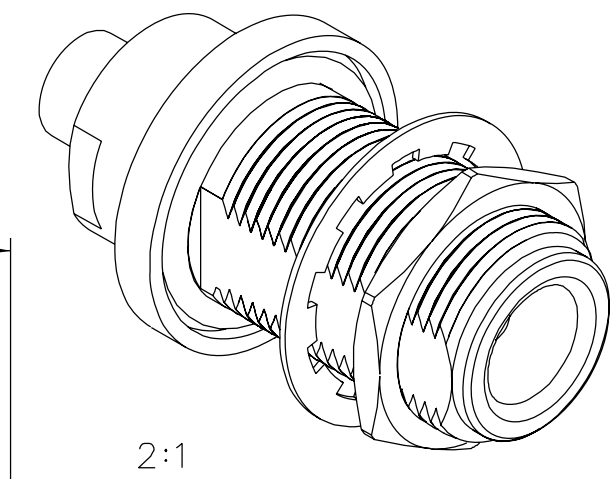
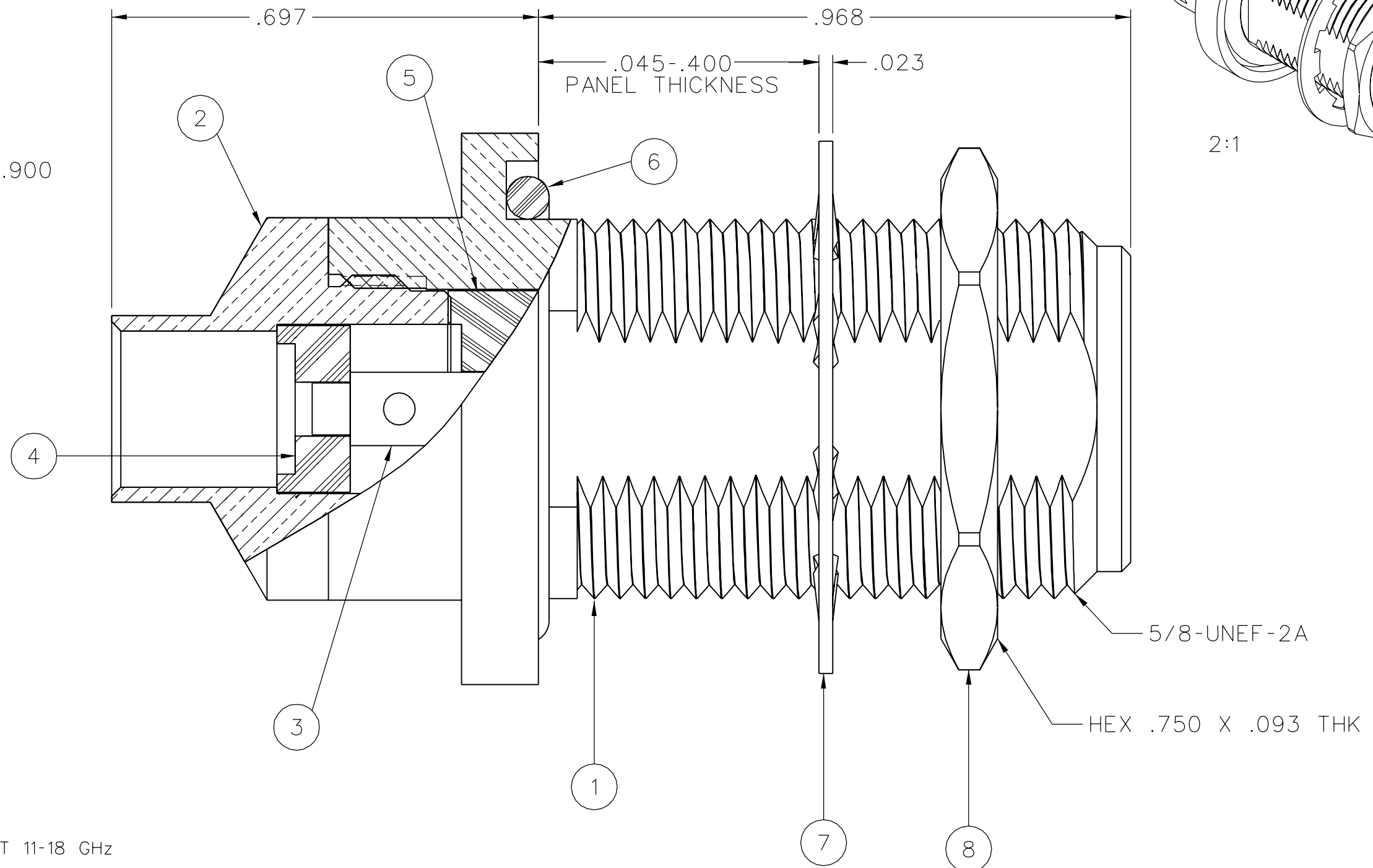
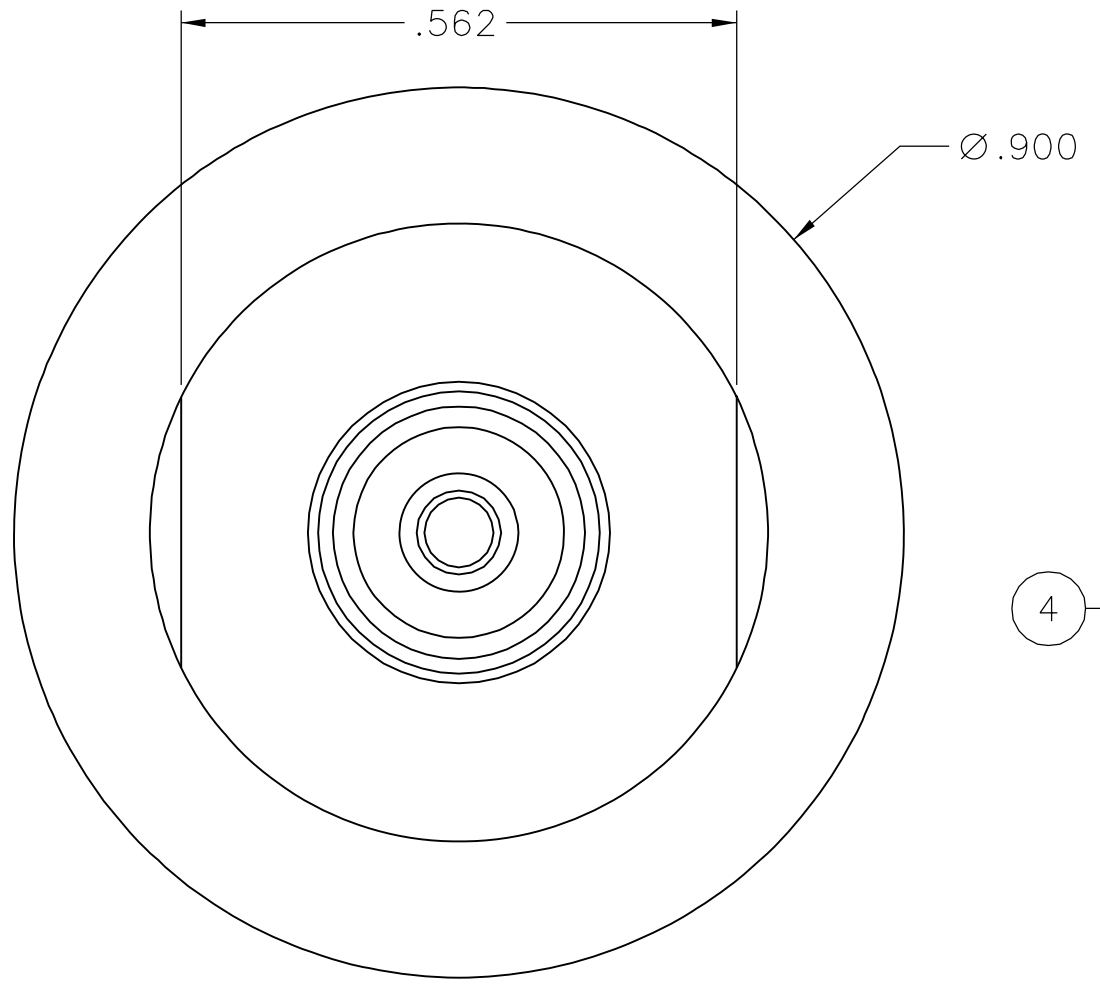
* REVISION NUMBER FOLLOWED BY AN ALPHA *
* CHARACTER INDICATES DRAWING CLARIFI- *
* CATION OR PART NUMBER ADDITION ONLY. *

1a	9-15-06	P A T	J R K	P D W	M J U	9-21-06 ECN 50628
----	---------	-------------	-------------	-------------	-------------	----------------------

LOCKWASHER TRI-ALLOY WAS ZINC

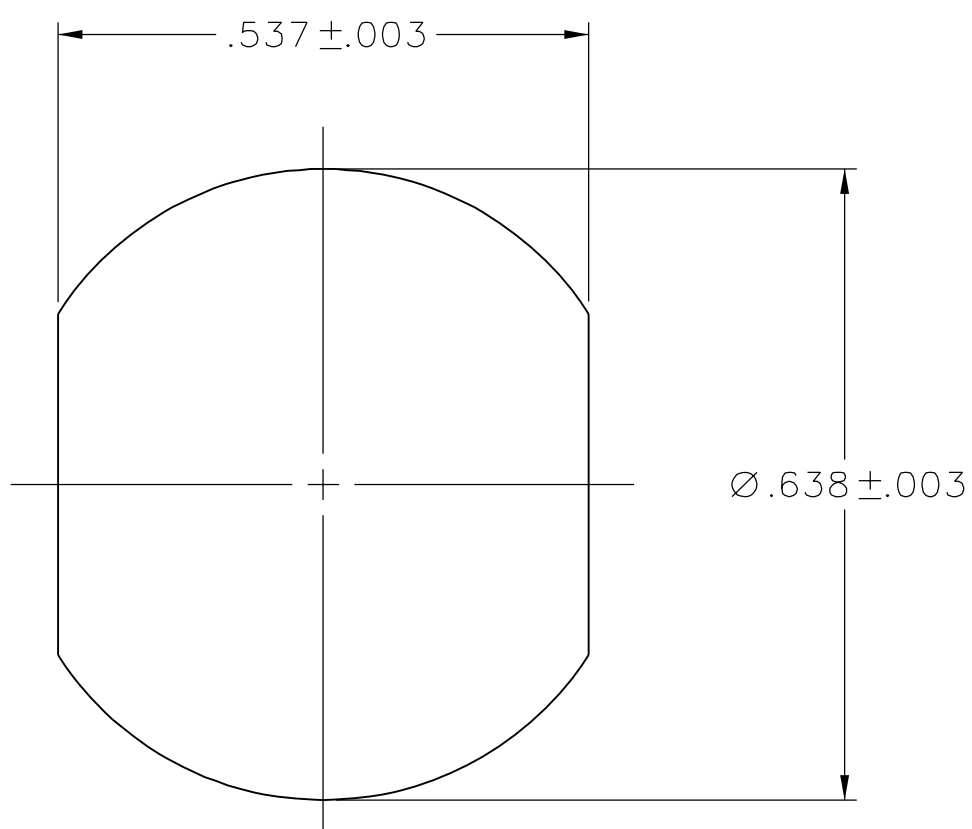
* REVISION NUMBER FOLLOWED BY AN ALPHA *
* CHARACTER INDICATES DRAWING CLARIFI- *
* CATION OR PART NUMBER ADDITION ONLY. *

1b	2-8-07	P A T	J R K	P D W	M J U	2-15-07 ECN 50941
----	--------	-------------	-------------	-------------	-------------	----------------------

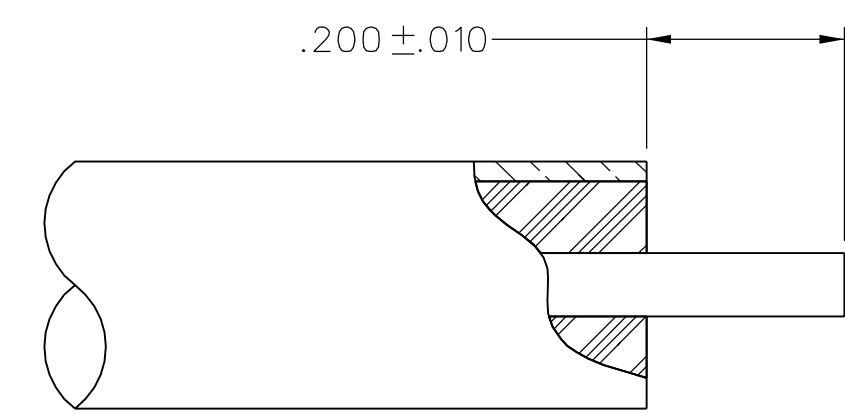


NOTES:

- SPECIFICATIONS:
 - IMPEDANCE: 50 OHMS
 - FREQUENCY RANGE: 0-18 GHz
 - VSWR: 1.10+.02F (GHz) MAX AT 0-11 GHz, TYPICALLY < 1.50 AT 11-18 GHz
 - WORKING VOLTAGE: 1000 VRMS MAX AT SEA LEVEL
 - DIELECTRIC WITHSTANDING VOLTAGE: 2500 VRMS MIN AT SEA LEVEL
 - INSULATION RESISTANCE: 5000 MEGOHM MIN
 - CONTACT RESISTANCE:
 - CENTER CONTACT - INITIAL 1.0 MILLIOHM MAX, AFTER ENVIRONMENTAL 1.5 MILLIOHM MAX
 - OUTER CONDUCTOR - INITIAL 0.2 MILLIOHM MAX, AFTER ENVIRONMENTAL NOT APPLICABLE
 - CORONA LEVEL: 500 VOLTS MIN AT 70,000 FEET
 - INSERTION LOSS: .05√F (GHz), TESTED AT 9 GHz
 - RF LEAKAGE: -90 dB MIN AT 2 TO 3 GHz
 - RF HIGH POTENTIAL WITHSTANDING VOLTAGE: 1500 VRMS AT 4 AND 7 MHz
 - THIRD ORDER INTERMODULATION PRODUCT (IMP3): TYPICALLY < -90 dBm (TESTED PER IEC GUIDELINES WITH 20W CW INPUTS AT 1930-1990 MHz)
- MECHANICAL:
 - ENGAGE/DISENGAGE TORQUE: 6 IN-LBS MAX
 - MATING TORQUE: 7-10 IN-LBS
 - COUPLING PROOF TORQUE: NOT APPLICABLE
 - COUPLING NUT RETENTION: NOT APPLICABLE
 - CONTACT RETENTION: NOT APPLICABLE
 - CABLE ACCEPTABILITY: RG 401, .250 OD SEMIRIGID
 - CABLE HEX CRIMP SIZE: NOT APPLICABLE
 - CABLE RETENTION: 90 LBS MIN AXIAL FORCE
80 IN-OZ MIN TORQUE
 - DURABILITY: 500 CYCLES MIN
- ENVIRONMENTAL:
 - (MEETS OR EXCEEDS THE APPLICABLE PARAGRAPH OF MIL-PRF-39012)
 - THERMAL SHOCK: MIL-STD-202, METHOD 107, CONDITION B, EXCEPT 85°C HIGH TEMP
 - OPERATING TEMPERATURE: -65°C TO 165°C
 - CORROSION: MIL-STD-202, METHOD 101, CONDITION B
 - SHOCK: MIL-STD-202, METHOD 213, CONDITION I
 - VIBRATION: MIL-STD-202, METHOD 204, CONDITION B
 - MOISTURE RESISTANCE: MIL-STD-202, METHOD 106



MOUNTING HOLE




CABLE STRIP DIMENSIONS
NOT TO SCALE

CUSTOMER DRAWING

THIS DRAWING TO BE INTERPRETED PER ASME Y 14.5M - 1994

"μ STATION"

COMPANY CONFIDENTIAL

TOLERANCE UNLESS OTHERWISE SPECIFIED	DRAWN BY JRK	DATE 11-7-05	 <p>Cinch Connectivity Solutions P.O. Box 1732 Waseca, MN 56093 1-800-247-8256</p>
DECIMALS _____ mm	CHECKED BY PDW	DATE 4-7-06	
.XXX REF _____	APPROVED BY JRK	DATE 4-7-06	TITLE ASSEMBLY, TYPE N BULKHEAD JACK RG401 (.250) S/R
MATL _____	RELEASE DATE 4-7-06	SHEET 2 OF 2	DRAWING NO. C - 138-4596-401/410
FINISH _____	U/M INCH	SCALE 5:1	